



**MARINE**

**ILLUSTRATED** <sup>TM</sup>

**PARTS MANUAL**

**MODEL XX-601XX-XX**

**CLEAN EMISSION SYSTEM**

**SN 480001 thru 506547**



This Page Was  
Intentially  
Left Blank

**Contents:**

Symbols ..... 2

Maintenance Item Part Numbers ..... 3

Cylinder Block Assembly - Figure 1 ..... 4

Cylinder Head Assembly / Front Cover - Figure 2 ..... 6

Exhaust Manifold Assembly / Knock Sensors - Figure 3 ..... 10

Intake Manifold Components - Figure 4 ..... 12

Oil Pan and Oil Pump Assembly - Figure 5 ..... 14

Throttle Body Assemblies and Related Components - Figure 6 ..... 16

Remote Oil Filter Components (Standard Drive) - Figure 7 ..... 18

Remote Oil Filter Components (“V” - Drive) - Figure 8 ..... 20

Remote Oil Filter Components CES Engine - Figure 9 ..... 22

Fuel Control Cell (FCC) Components - Figure 10 ..... 24

Heat Exchanger and Components - Figure 11 ..... 26

CES Heat Exchanger and Components - Figure 12 ..... 28

Fresh Water Cooling System Components - Figure 13 ..... 30

Raw Water Drain System Components - Figure 14 ..... 32

CES Fresh Water Cooling System Components - Figure 15 ..... 34

Exhaust Manifold and Components - Figure 16 ..... 36

Exhaust Manifold 4” Spacer Kit and Components - Figure 17 ..... 38

CES Exhaust Manifold and Components - Figure 18 ..... 40

Raw Water Cooling Pump - Figure 19 ..... 42

Wiring Harness Assemblies and Senders - Figure 20 ..... 44

ECM and Relays - Figure 21 ..... 46

Accessory Drive System Components - Figure 22 ..... 48

Starter Assembly Components - Figure 23 ..... 50

Engine and Transmission Mounts - Figure 24 ..... 52

Bellhousing Assembly - Figure 25 ..... 54

Transmission and Related Parts (Standard Drive) - Figure 26 ..... 56

Transmission and Related Parts (“V” - Drive) - Figure 27 ..... 58

**“TYPICAL VIEWS ARE SHOWN”**

**ENGINE ROTATION**

Engine Rotation is identified as “RH” or “LH” with the engine model number. Rotation always is determined from the flywheel end looking toward the front of the engine. In some instances, propeller shaft rotation may be opposite to that of the engine.

When ordering a replacement engine, production block or parts for the engine, be certain to check engine rotation. **DO NOT rely on propeller rotation in order to determine engine rotation.**

**LEFT-HAND ROTATION is STANDARD ROTATION.**

(Flywheel turns counterclockwise when viewed from flywheel end of the engine.)

**RIGHT-HAND ROTATION is OPPOSITE ROTATION.**

(Flywheel turns clockwise when viewed from flywheel end of the engine.)

**HOW TO READ THIS PARTS BOOK:**

ITEM	PART NO.	QTY.	DESCRIPTION	MODEL ID
1	RB001005I	1	Base Engine Assembly, 6.0L	

①

②

③

④

⑤

- ① ITEM NUMBER - This number corresponds with the number in the exploded view on the facing page.
- ② PART NUMBER - This is the designated part number for the particular component or assembly.
- ③ QUANTITY - This refers to the number of pieces used.
- ④ DESCRIPTION - This identifies what the component or assembly is.
- ⑤ MODEL ID - This identifies a component or assembly that is unique to a specific engine model.

Symbols shown throughout parts list are defined here or on the bottom of the individual parts list page.

- AR = As Required
- OPT = Optional
- NSS = Not Serviced Separately
- NA = Not Available
- OS = Oversize
- US = Undersize
- TBD = To Be Determined
- NI = Not Illustrated

**REPLACEMENT PARTS:****WARNING:**

Electrical, ignition and fuel system components on PCM Engines are designed and manufactured to comply with U.S. Coast Guard rules and regulations to minimize risks of fire or explosion.

Use of replacement electrical, ignition and fuel system components which do not comply with these rules and regulations could result in a fire or explosion hazard and should be avoided.

**MAINTENANCE ITEM PART NUMBERS:**

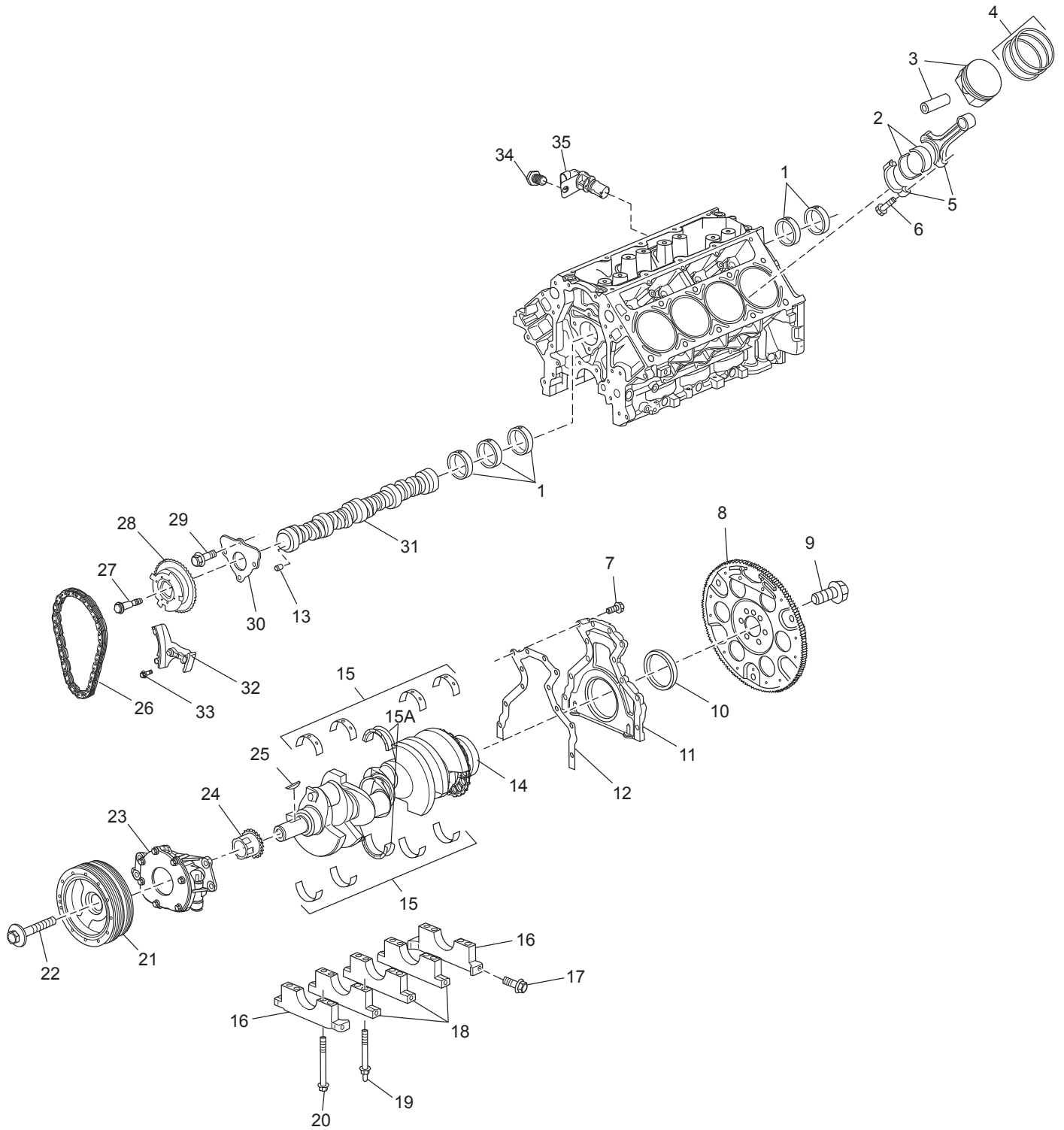
Description	Part Number
Oil Filter	R077001
Kit, Transmission Oil Filter (ZF)	RP077011
Fuel Filter, Primary	R080024A
Fuel Filter (FCC)	RP080026
Fuel Water Separator	R077019
Spark Plugs	RP030011
Spark Plug Wire Set	RK120022
Spark Plug Wire Set, CES engines	RK120021B
Serpentine Drive Belt	R066033
Raw Water Pump Impeller Kit	RP061022
Thermostat	R026002
Thermostat, CES engines	R026007A

**MARINE TRANSMISSIONS:**

PCM Engines are equipped with PCM or Hurth Transmissions, standard or "V"-drive. If transmission parts are required, contact your dealer or closest PCM Parts Distributor for required parts.

Parts manuals and overhaul manuals are available through PCM Distributors.

CYLINDER BLOCK ASSEMBLY - FIGURE 1

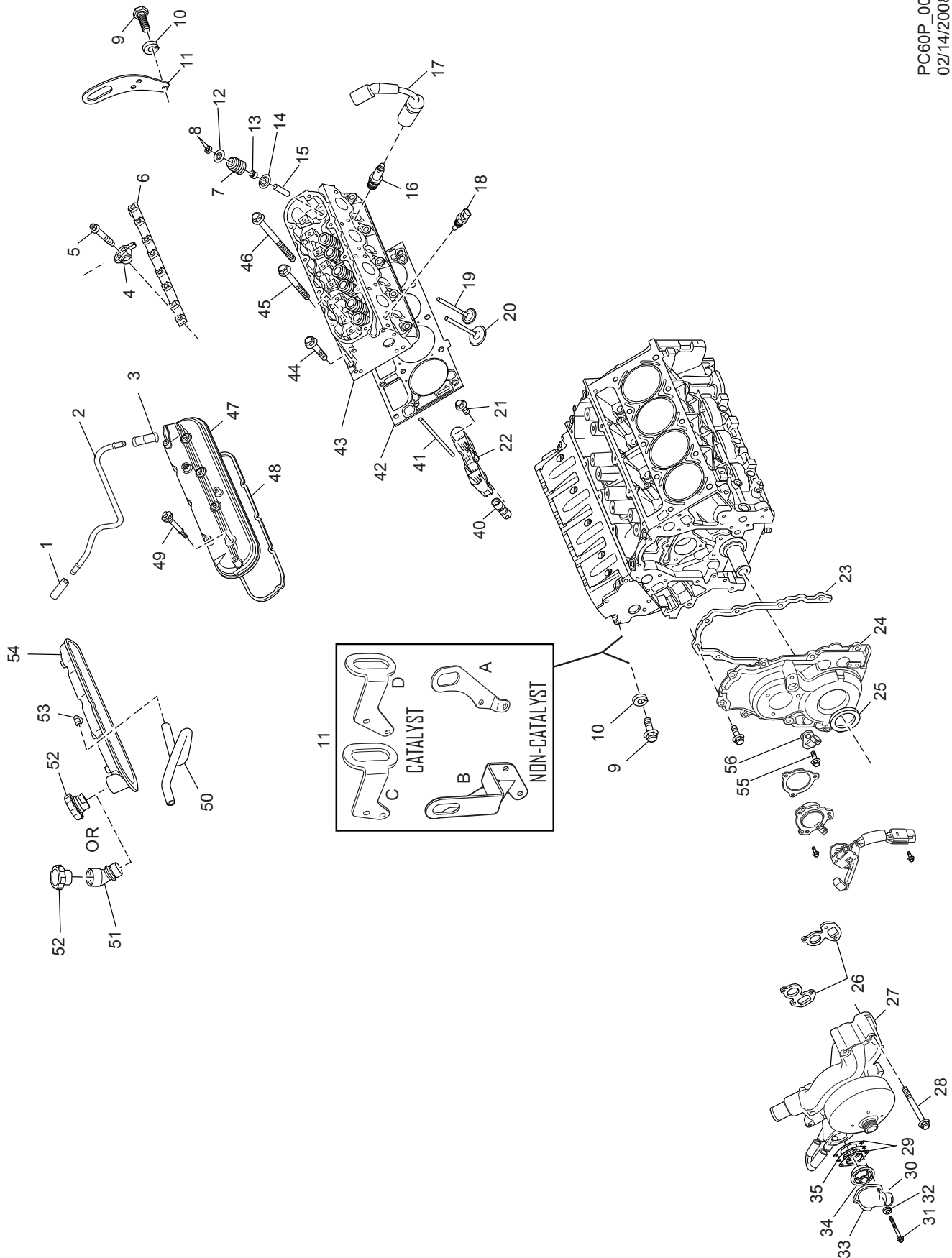


## CYLINDER BLOCK ASSEMBLY - FIGURE 1

ITEM	PART NO.	QTY.	DESCRIPTION	MODEL ID
*	RB001022		<b>Base Engine Assembly</b> , (STD)	
1	TBD	1	<b>Bearing Set</b> , camshaft	
2	R007029	8	<b>Bearing</b> , for one connecting rod (STD)	
3	RA013019	8	<b>Piston w/Pin</b> , (STD)	
4	R015015	8	<b>Ring Set</b> , piston (STD)	
5	RA011013	8	<b>Connecting Rod</b> (STD)	
6	TBD	16	<b>Bolt</b> , connecting rod cap	
7	TBD	12	<b>Bolt</b> , rear engine cover	
8	RA138016	1	<b>Flywheel Assembly</b>	
9	R009205	6	<b>Bolt</b> , flywheel attaching	
10	R047236	1	<b>Seal</b> , crankshaft rear oil	
11	TBD	1	<b>Cover</b> , rear engine	
12	TBD	1	<b>Gasket</b> , rear engine cover	
13	p/o item #14	1	<b>Reluctor Ring</b> , crankshaft	
14	TBD	1	<b>Crankshaft Assembly</b>	
15	R007030	4	<b>Bearings</b> , crankshaft	
15A	R007031	1	<b>Bearing</b> , crankshaft	
16	TBD	2	<b>Cap</b> , crankshaft bearing #1 and #5	
17	TBD	10	<b>Bolt</b> , crankshaft bearing cap side	
18	TBD	3	<b>Cap</b> , crankshaft bearing #2 - #4	
19	TBD		<b>Stud</b> , crankshaft bearing cap attaching	
20	TBD		<b>Bolt</b> , crankshaft bearing cap attaching	
21	R064016	1	<b>Balancer</b> , crankshaft	
22	R009202	1	<b>Bolt</b> , crankshaft balancer	
23	TBD	1	<b>Oil Pump Assembly</b>	
24	R054042	1	<b>Drive</b> , oil pump	
25	TBD	1	<b>Key</b> , crankshaft	
26	TBD	1	<b>Chain</b> , timing	
27	TBD	1	<b>Valve</b> , camshaft position actuator solenoid	
28	R054044	1	<b>Actuator</b> , camshaft position	
29	RA159004	3	<b>Bolt</b> , camshaft retainer attaching	
30	TBD	1	<b>Retainer</b> , camshaft/phaser	
31	RA050027	1	<b>Camshaft</b> , (STD - ZR409)	
31	RA050028	1	<b>Camshaft</b> , (HO - ZR450)	
32	TBD	1	<b>Tensioner Kit</b> , includes items 32, 33, 26 (GM 12626407)	
33	TBD	1	<b>Bolt</b> , camshaft tensioner retainer (GM 11515758)	
34	TBD	1	<b>Bolt</b> , crankshaft position sensor attaching	
35	R020044	1	<b>Sensor</b> , crankshaft position	

CYLINDER HEAD ASSEMBLY / FRONT COVER - FIGURE 2

PC60P\_004b-08  
02/14/2008



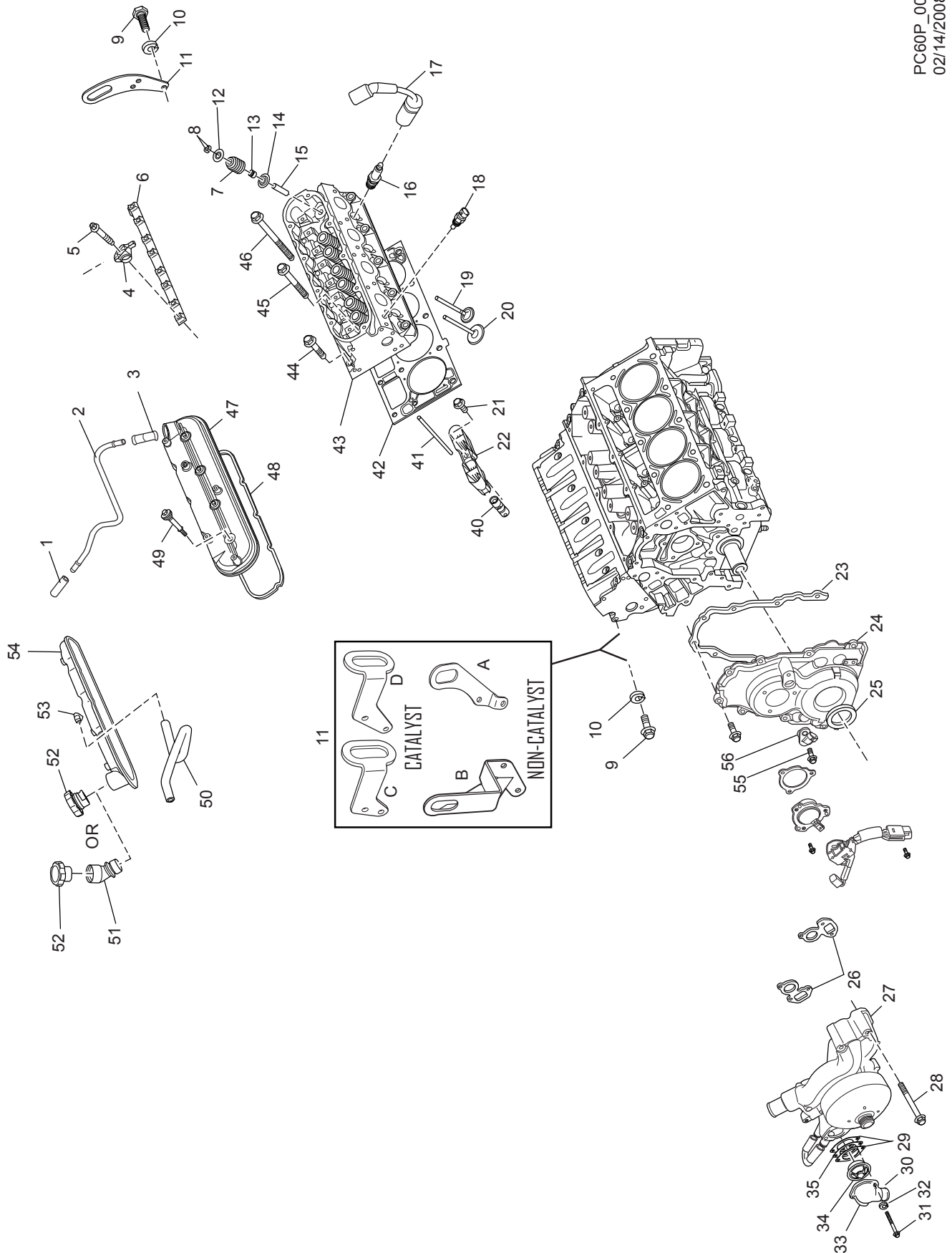


## CYLINDER HEAD ASSEMBLY / FRONT COVER - FIGURE 2

ITEM	PART NO.	QTY.	DESCRIPTION	MODEL ID
1	TBD	1	<b>Hose</b> , PCV valve (GM 12597774)	
2	NSS	1	<b>Valve</b> , positive crankcase ventilation (PCV)	
3	TBD	1	<b>Grommet</b> , PCV valve	
4	TBD	16	<b>Rocker Arm</b> , valve	
5	TBD	16	<b>Bolt</b> , valve rocker arm attaching	
6	R037006	2	<b>Guide</b> , valve rocker arm	
7	R046052	16	<b>Valve Spring Assembly</b>	
8	TBD	32	<b>Retainer</b> , valve stem	
9	98443025	4	<b>Bolt</b> , lifting eye attaching	
10	93940000	4	<b>Lockwasher</b> , lifting eye attaching bolt	
11A	R042012	1	<b>Lifting Eye</b> , rear,	
11B	R042016	1	<b>Lifting Eye</b> , front	
11C	R042018	2	<b>Lifting Eye</b> , CES engine	xx-601Cx-xx
11D	R042019	2	<b>Lifting Eye</b> , CES engine	xx-601Cx-xx
12	R049015	16	<b>Cap</b> , valve spring	
13	R047239	16	<b>Seal</b> , intake valve stem	
13	R047240	16	<b>Seal</b> , exhaust valve stem	
14	TBD	32	<b>Rotator</b> , valve	
15	TBD	16	<b>Guide</b> , valve stem	
16	RP030011	8	<b>Spark Plug</b>	
17	RK120022	1	<b>Spark Plug Wire Set</b>	
17	RK120021B	1	<b>Spark Plug Wire Set</b>	xx-601Cx-xx
18	R020046	1	<b>Engine Coolant Temperature (ECT) Sensor</b>	
19	R043040	8	<b>Valve</b> , exhaust (STD)	
20	R043039	8	<b>Valve</b> , intake (STD)	
21	TBD	8	<b>Bolt</b> , valve lifter retainer attaching	
22	R037005	8	<b>Retainer</b> , valve lifter	
23	RM0280	1	<b>Gasket</b> , front engine cover	
24	TBD	1	<b>Cover</b> , front engine	
25	R047237	1	<b>Seal</b> , front engine cover oil	
26	RM0281	2	<b>Gasket</b> , water circulating pump	
27	RK057036	1	<b>Water Circulation Pump Assembly</b>	
28	TBD	4	<b>Bolt</b> , water circulating pump attaching	
29	RM0275	2	<b>Gasket</b> , thermostat housing	
30	R025036	1	<b>Housing</b> , thermostat	
31	98223016	2	<b>Bolt</b> , thermostat housing attaching	
32	93920000	2	<b>Lockwasher</b> , thermostat housing attaching	
33	113186	1	<b>Plug</b> , thermostat housing	
34	R026002	1	<b>Thermostat</b> , (160° F)	
35	R109051	1	<b>Plate</b> , thermostat retainer	
36	RS3551	1	<b>Plug</b> , water neck	
37	R024208	1	<b>Water Neck</b>	
38	RS3551	1	<b>Plug</b> , water neck	
39	TBD	8	<b>Bolt</b> , front engine cover attaching	

CYLINDER HEAD ASSEMBLY / FRONT COVER - FIGURE 2 (cont'd)

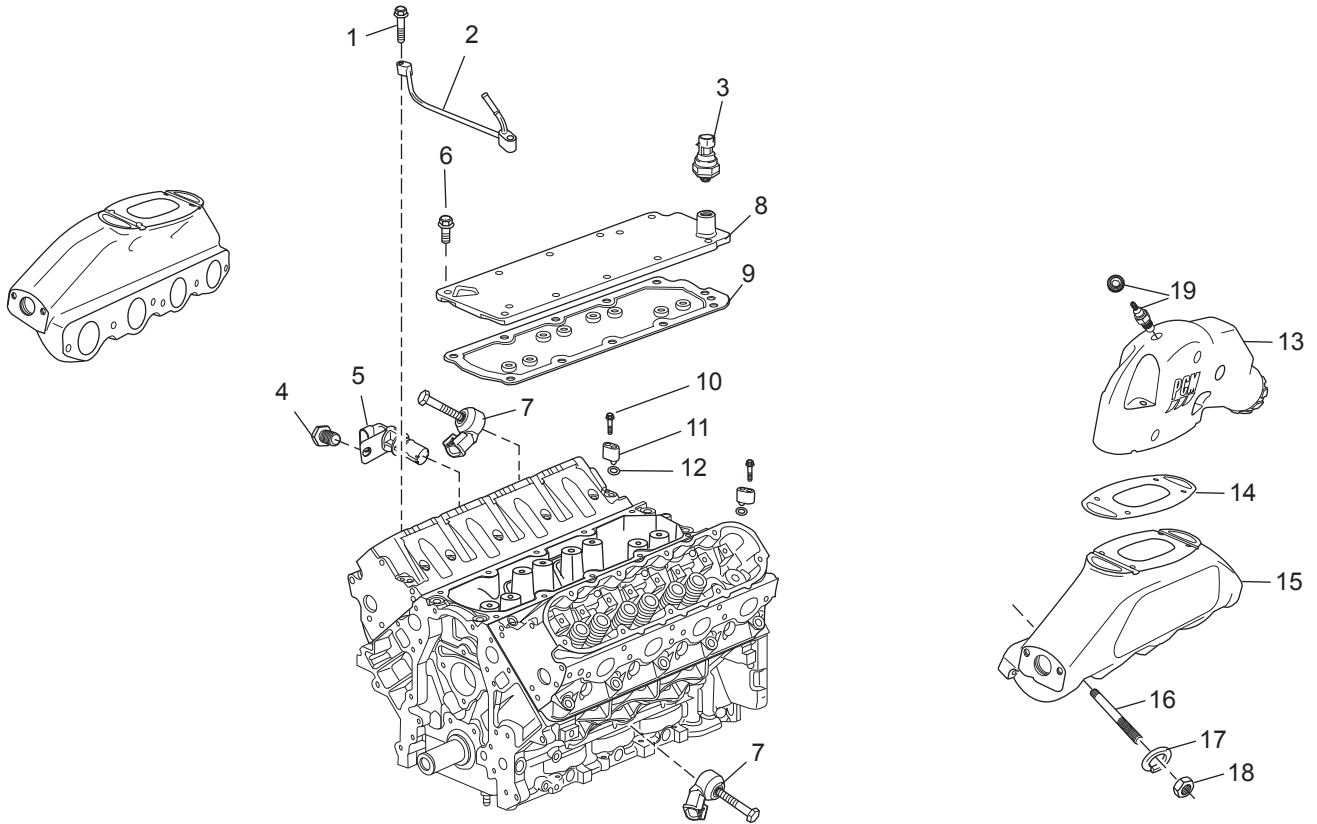
PC60P\_004b-08  
02/14/2008



CYLINDER HEAD ASSEMBLY / FRONT COVER - FIGURE 2 (cont'd)

ITEM	PART NO.	QTY.	DESCRIPTION	MODEL ID
40	R040007	16	<b>Lifter</b> , valve	
41	R039024	16	<b>Push Rod</b>	
42	RM0298	2	<b>Gasket</b> , Cylinder Head	
43	R003017	2	<b>Cylinder Head</b>	
44	R009208	4	<b>Bolt</b> , cylinder head (short)	
45	R009209	10	<b>Bolt</b> , cylinder head (medium)	
46	R009215	16	<b>Bolt</b> , cylinder head (long)	
47	RA033016	1	<b>Cover</b> , rocker (LH)	
47	RA033016A	1	<b>Cover</b> , rocker (LH with straight push on hose barb)	
48	RM0282	2	<b>Gasket</b> , rocker cover	
49	R009210	8	<b>Bolt</b> , rocker cover attaching	
50	R045191	1	<b>Tube</b> , breather	
50	TBD	1	<b>Tube</b> , breather, SN 485697 and higher	
51	R034049	1	<b>Tube</b> , oil fill	
52	R034038B	1	<b>Cap</b> , oil fill tube	
53	TBD	1	<b>Fitting</b> , breather tube	
54	RA033017	1	<b>Cover</b> , rocker w/Oil Fill (RH)	
55	TBD	1	<b>Bolt</b> , camshaft position sensor attaching	
56	R020053	1	<b>Sensor</b> , camshaft position	

EXHAUST MANIFOLD / KNOCK SENSORS - FIGURE 3

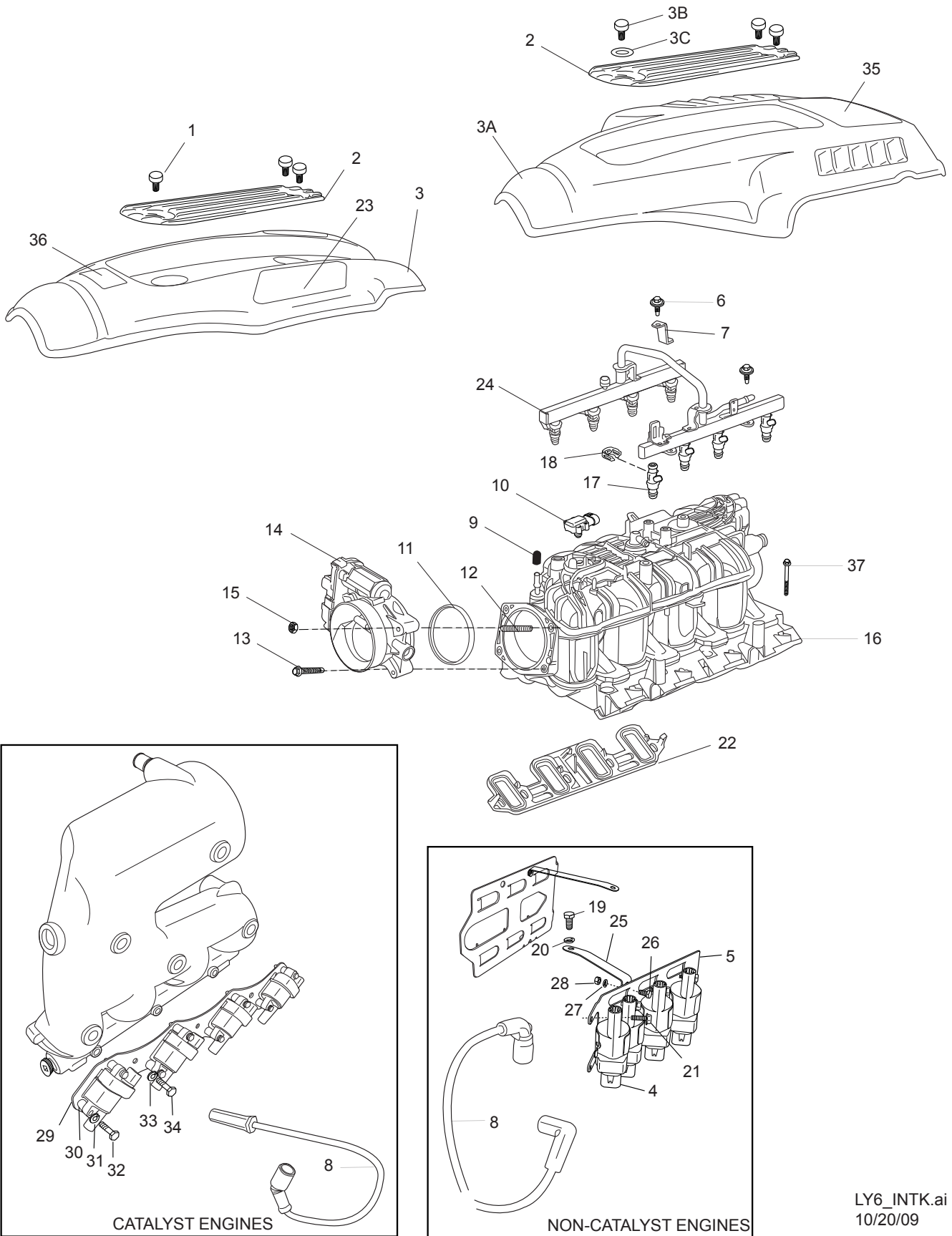


PC60P\_005-08  
03-28-08

## EXHAUST MANIFOLD / KNOCK SENSORS - FIGURE 3

ITEM	PART NO.	QTY.	DESCRIPTION	MODEL ID
1	TBD	2	<b>Bolt</b> , coolant air bleed pipe attaching	
2	RA085104	1	<b>Pipe</b> , coolant air bleed	
3	NSS	1	<b>Sensor</b> , oil pressure (Not Used)	
4	TBD	1	<b>Bolt</b> , crankshaft position attaching	
5	R020054	1	<b>Sensor</b> , crankshaft position	
6	TBD	10	<b>Bolt</b> , valley cover attaching (GM 11518075)	
7	R020052	2	<b>Sensor</b> , knock	
8	TBD	1	<b>Cover</b> , valley (GM 12598832)	
9	TBD	1	<b>Gasket</b> , valley cover (GM 12610141)	
10	TBD	2	<b>Bolt</b> ,	
11	TBD	2	<b>Block-off</b> ,	
12	TBD	2	<b>Seal</b> , (GM 12610160)	
13	R029016	2	<b>Elbow</b> , exhaust	
14	RM0274	2	<b>Gasket</b> , exhaust elbow to manifold	
15	R028023	2	<b>Manifold</b> , exhaust	
16	R031035	12	<b>Stud</b> , exhaust manifold attaching	
17	93930000	12	<b>Lockwasher</b> , exhaust manifold stud attaching	
18	97330000	12	<b>Nut</b> , exhaust manifold stud attaching	
19	RS3539	2	<b>Plug</b> , exhaust elbow	
19	R020047	2	<b>Switch</b> , exhaust temperature (optional)	

INTAKE MANIFOLD COMPONENTS - FIGURE 4

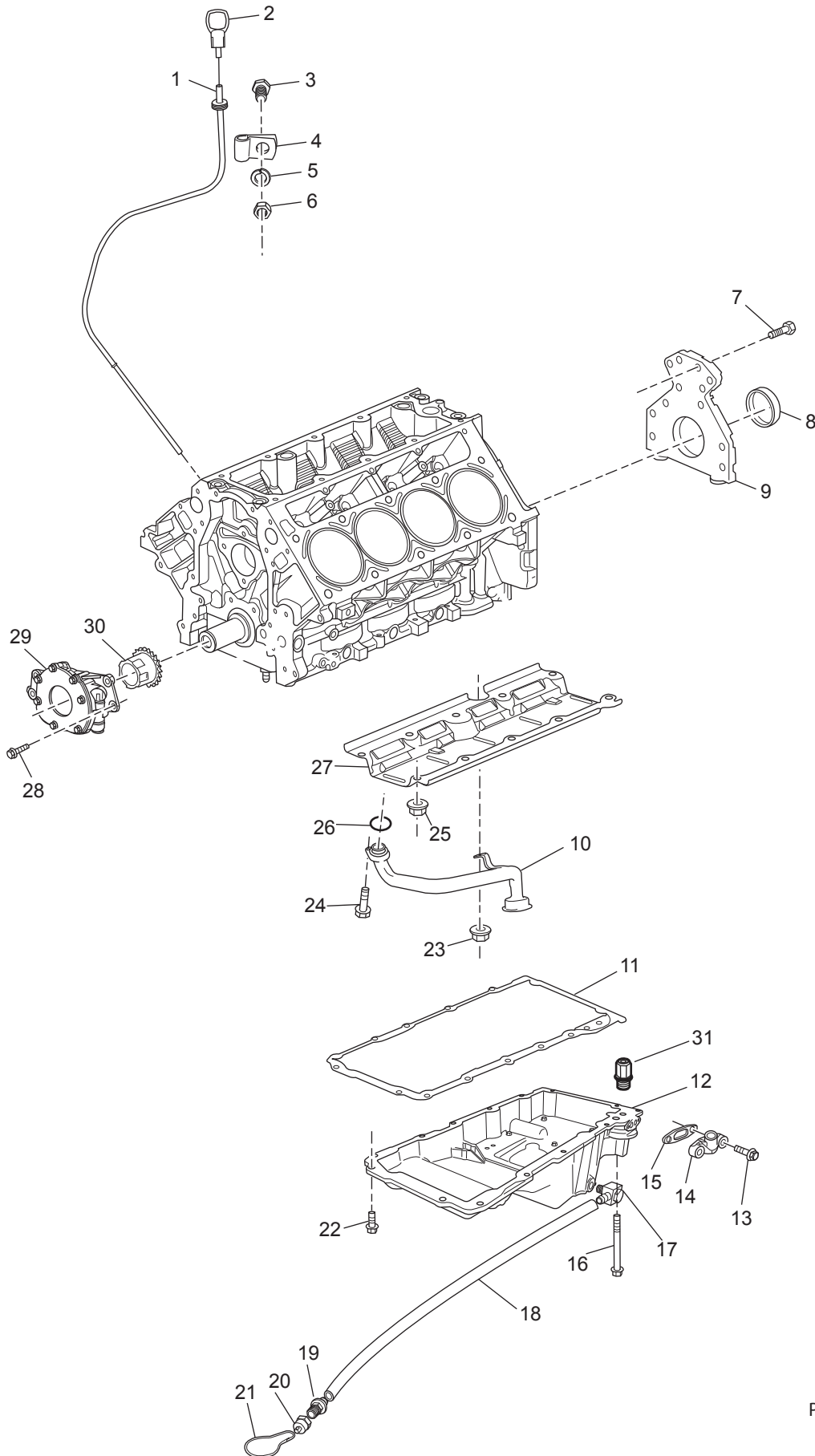


LY6\_INTK.ai  
10/20/09

## INTAKE MANIFOLD COMPONENTS - FIGURE 4

ITEM	PART NO.	QTY.	DESCRIPTION	MODEL ID
1	R175055	3	<b>Bolt</b> , engine cover attaching	
2	R060074	1	<b>Insert</b> , engine cover	
2	R060077	1	<b>Insert</b> , engine cover, CES engines	xx-601Cx-xx
3	R060073	1	<b>Cover</b> , engine	
3A	R060076	1	<b>Cover</b> , engine, CES engines	xx-601Cx-xx
3B	R175055	3	<b>Bolt</b> , engine cover attaching	xx-601Cx-xx
3C	92106000	3	<b>Washer</b> , M6 rubber	xx-601Cx-xx
4	R117014	8	<b>Coil</b> , ignition	
5	R090339	1	<b>Bracket</b> , ignition coil mounting (port)	
5	R090346	1	<b>Bracket</b> , ignition coil mounting (stbd)	
6	98222018	2	<b>Bolt</b> , fuel rail attaching	
6	RS6256	2	<b>Bolt</b> , fuel rail attaching/coil bracket attaching	
6	93924000	2	<b>Lockwasher</b> , fuel rail attaching/coil bracket attaching	
7	R090268	2	<b>Bracket</b> , support	
8	RK120022	1	<b>Spark Plug Wire Set</b>	
8	RK120021B	1	<b>Spark Plug Wire Set</b>	xx-601Cx-xx
9	R128004	1	<b>Cap</b> , vacuum	
10	R020036	1	<b>Sensor</b> , manifold absolute pressure (MAP)	
10	R020055	1	<b>Sensor</b> , manifold absolute pressure (MAP) SN 485697 and higher	
11	TBD	1	<b>Seal</b> , throttle body	
12	TBD	2	<b>Stud</b> , throttle body attaching, upper	
13	TBD	2	<b>Bolt</b> , throttle body attaching, lower	
14	RA035044	1	<b>Throttle Body Assembly</b>	
15	L00918	2	<b>Nut</b> , throttle body attaching	
16	TBD	1	<b>Intake Manifold</b>	
16	TBD	1	<b>Intake Manifold, SN 485697 and higher</b>	
17	RA087009	8	<b>Fuel Injector Assembly</b>	
17	RA087010	8	<b>Fuel Injector Assembly, SN 485697 and higher</b>	
NI	RK047253	1	<b>Kit</b> , O'Ring 6.0L fuel injector	
NI	TBD	1	<b>Kit</b> , O'Ring 6.0L fuel injector, SN 485697 and higher	
18	R127097	8	<b>Retainer</b> , fuel injector to rail	
19	98223016	2	<b>Bolt</b> , coil bracket attaching	
20	93920000	2	<b>Lockwasher</b> , coil bracket attaching	
21	91107075	16	<b>Bolt</b> , ignition coil attaching	
22	RM0297	1	<b>Gasket Set</b> , intake manifold	
23	TBD	2	<b>Decal</b> , engine cover, side - ZR409	
24	TBD	1	<b>Fuel Rail</b> , assembly	
25	R090337	1	<b>Bracket</b> , support, coil bracket (port)	
25	R090338	1	<b>Bracket</b> , support, coil bracket (stbd)	
26	98223016	2	<b>Bolt</b> , support bracket attaching	
27	93920000	2	<b>Lockwasher</b> , support bracket attaching	
28	97220060	2	<b>Nut</b> , support bracket attaching	
29	R090365	2	<b>Bracket</b> , ignition coil mounting CES engines	xx-601Cx-xx
30	R062094	16	<b>Spacer</b> , ignition coil mounting CES engines	xx-601Cx-xx
31	93920000	16	<b>Lockwasher</b> , ignition coil mounting CES engines	xx-601Cx-xx
32	98223045	16	<b>Bolt</b> , ignition coil mounting CES engines	xx-601Cx-xx
33	93934000	6	<b>Lockwasher</b> , coil bracket mounting CES engines	xx-601Cx-xx
34	99335014	1	<b>Bolt</b> , coil bracket mounting CES engines	xx-601Cx-xx
35	R143197	1	<b>Decal</b> , engine cover, ZR409, CES engines	xx-601Cx-xx
35	R143209	1	<b>Decal</b> , engine cover, ZR450, CES engines	xx-603Cx-xx
36	R143189	1	<b>Decal</b> , engine cover, front, PCM	
37	TBD	10	<b>Bolt</b> , intake manifold mounting	

OIL PAN and OIL PUMP ASSEMBLY - FIGURE 5



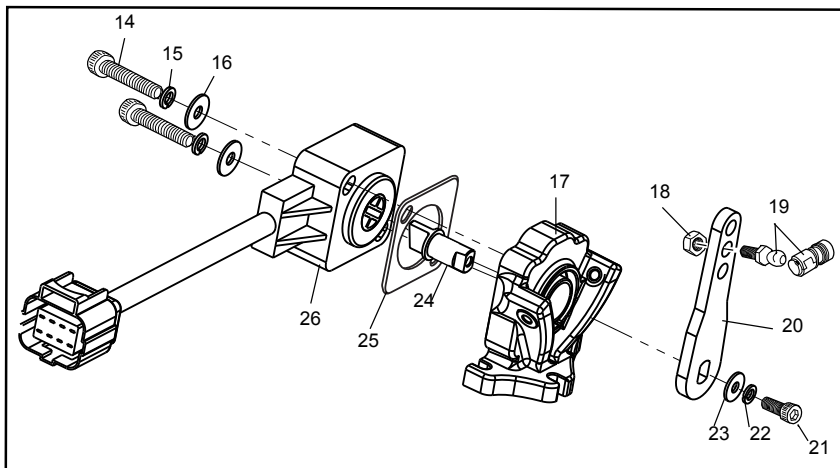
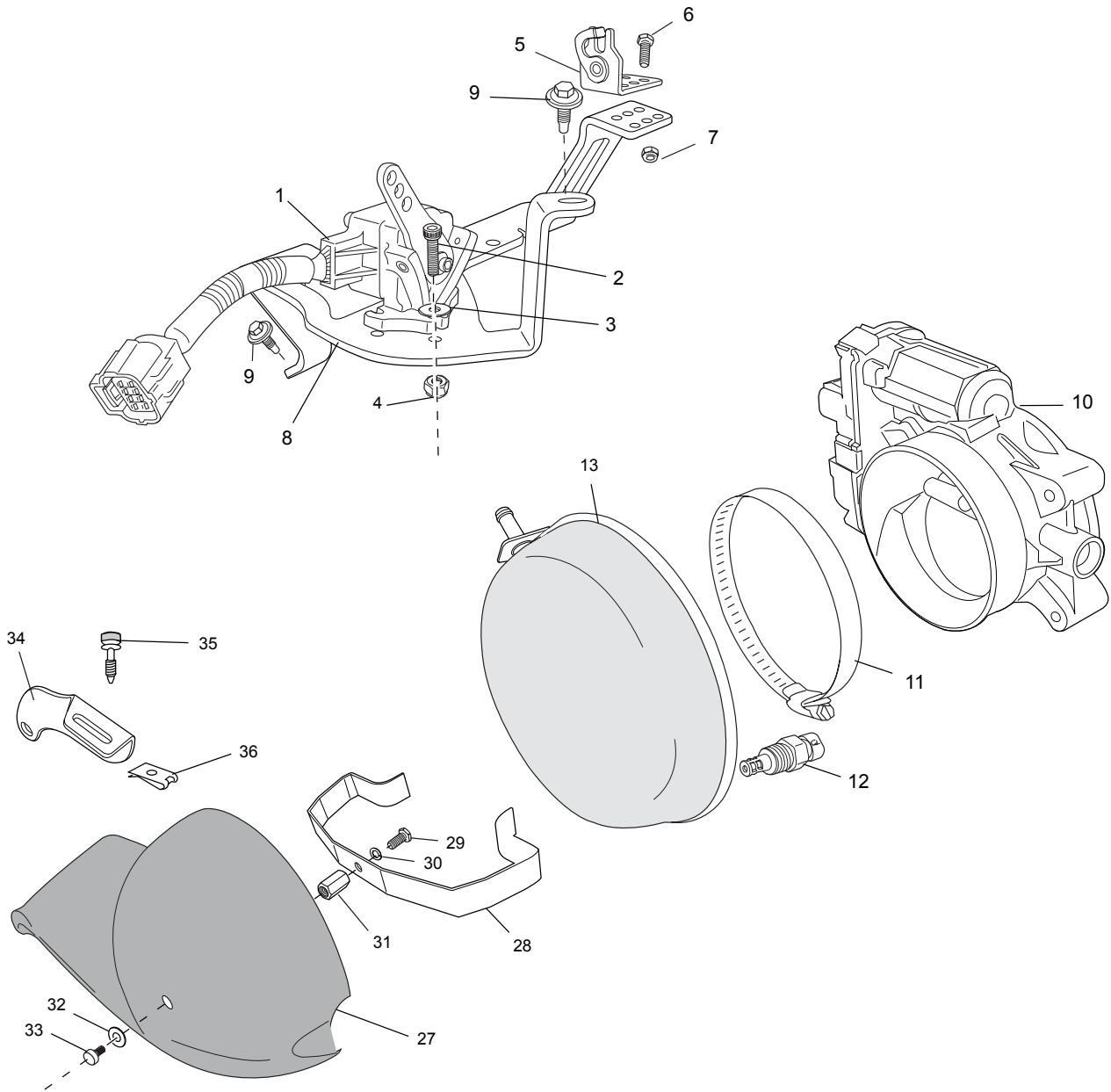
PC60P\_002a  
04-2-08



## OIL PAN and OIL PUMP ASSEMBLY - FIGURE 5

ITEM	PART NO.	QTY.	DESCRIPTION	MODEL ID
1	R041079	1	<b>Tube</b> , oil dipstick	
1	R041089	1	<b>Tube</b> , oil dipstick CES engine	xx-601Cx-xx
2	R041080	1	<b>Dipstick</b> , oil level (0 to 4 degree)	
2	R041090	1	<b>Dipstick</b> , oil level (0 to 4 degree) CES engine	xx-601Cx-xx
3	RS0302	1	<b>Bolt</b> , oil dipstick tube attaching	
4	R127015	1	<b>Clamp</b> , oil dipstick tube attaching	
5	RS2180	1	<b>Lockwasher</b> , oil dipstick tube attaching	
6	RS1028	1	<b>Nut</b> , oil dipstick tube attaching	
7	TBD	1	<b>Bolt</b> , engine rear cover attaching	
8	R047236	1	<b>Seal</b> , engine rear cover oil	
9	TBD	1	<b>Cover</b> , engine rear	
10	R074030	1	<b>Tube</b> , oil pickup	
11	RM0279	1	<b>Gasket</b> , oil pan	
12	R005025	1	<b>Oil Pan</b>	
13	TBD	2	<b>Bolt</b> , oil sending unit adapter attaching	
14	R079071	1	<b>Adapter</b> , oil sending unit	
15	RM0284	1	<b>Gasket</b> , oil sending unit adapter	
16	TBD	2	<b>Bolt</b> , oil pan attaching (long)	
17	R024213	1	<b>Fitting</b> , oil drain	
18	R045049	AR	<b>Hose</b> , oil drain	
19	R024061	1	<b>Fitting</b> , oil drain	
20	R024066A	1	<b>Cap</b> , oil drain	
21	R190123	1	<b>Hook</b> , oil drain hose	
22	TBD	12	<b>Bolt</b> , oil pan attaching (short)	
23	TBD	1	<b>Nut</b> , oil pickup tube attaching	
24	TBD	1	<b>Bolt</b> , oil pickup tube attaching	
25	TBD	10	<b>Nut</b> , windage tray attaching	
26	TBD	1	<b>O-ring</b> , oil pickup tube	
27	R012027	1	<b>Tray</b> , windage	
28	TBD	4	<b>Bolt</b> , oil pump attaching	
29	RA070018	1	<b>Oil Pump Assembly</b>	
30	TBD	1	<b>Drive</b> , oil pump	
31	TBD	1	<b>Check Valve</b> , oil pressure	

THROTTLE BODY and RELATED COMPONENTS - FIGURE 6

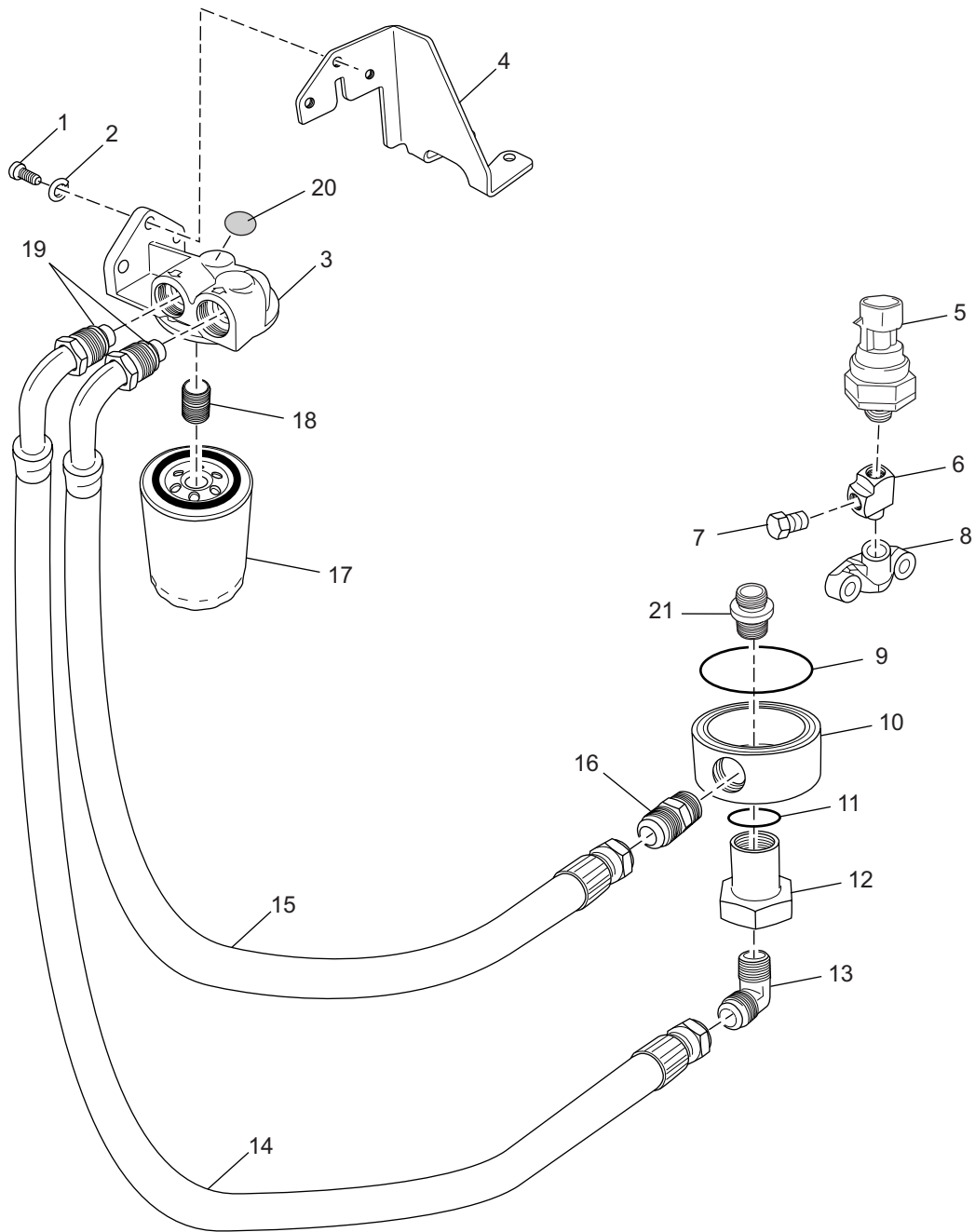


PC60P\_010\_08  
02/15/2008

## THROTTLE BODY and RELATED COMPONENTS - FIGURE 6

ITEM	PART NO.	QTY.	DESCRIPTION	MODEL ID
1	RA119005	1	<b>Throttle Control Position (TCP) Sensor Assembly</b>	
2	91864075	3	<b>Bolt</b> , TCP Sensor Assembly attaching	
3	92004000	3	<b>Washer</b> , flat, TCP Sensor Assembly attaching	
4	RS2052	3	<b>Nut</b> , TCP Sensor Assembly attaching	
5	R090086	1	<b>Cable Clip</b> , throttle	
6	RS5122	2	<b>Bolt</b> , cable clip attaching	
7	RS2050	2	<b>Nut</b> , cable clip attaching	
8	R090345	1	<b>Bracket</b> , TCP Assembly/Throttle Clip	
9	98222018	1	<b>Bolt</b> , TCP/Throttle Clip bracket attaching	
10	RA035044	1	<b>Throttle Body Assembly</b>	
11	RS3857	1	<b>Clamp</b> , flame arrestor	
12	R020032	1	<b>Air Temp Sensor</b>	
13	R145028	1	<b>Arrestor</b> , flame	
14	91064125	2	<b>Bolt</b> , TCP Sensor attaching	
15	93040000	2	<b>Lock Washer</b> , TCP Sensor attaching	
16	92004000	2	<b>Flat Washer</b> , TCP Sensor attaching	
17	R109053A	1	<b>Plate Assembly</b> , TCP Sensor	
18	RS1568	1	<b>Nut</b> , ball joint attaching	
19	R178003	1	<b>Ball Joint Assembly</b>	
20	R081009	1	<b>Arm</b> , TCP Sensor	
21	91864050	1	<b>Bolt</b> , TCP Sensor arm attaching	
22	94854500	1	<b>Lock Washer</b> , TCP Sensor arm attaching	
23	94004200	1	<b>Flat Washer</b> , TCP Sensor arm attaching	
24	R058071	1	<b>Shaft</b> , TCP Sensor	
25	R062090	1	<b>Spacer</b> , TCP support	
26	R119005	1	<b>TCP Sensor</b>	
27	R060069A	1	<b>Cover</b> , flame arrestor	
28	R090342	1	<b>Bracket</b> , flame arrestor cover, upper	
29	RS6502	1	<b>Bolt</b> , cover mount attaching, upper (use removable locktite)	
30	93920000	1	<b>Lockwasher</b> , cover mount attaching, upper	
31	R017082	1	<b>Coupling</b> , nut cover mount, upper	
32	R096143	1	<b>Washer</b> , cover attaching, upper	
33	R175055	1	<b>Bolt</b> , cover attaching, upper (use removable locktite)	
34	R090340	1	<b>Bracket</b> , cover flame arrestor, lower	
35	R175057	2	<b>Screw</b> , bellt guard retaining	
36	R017084	2	<b>Nut</b> , Clip-on	

REMOTE OIL FILTER COMPONENTS (STANDARD DRIVE) - FIGURE 7

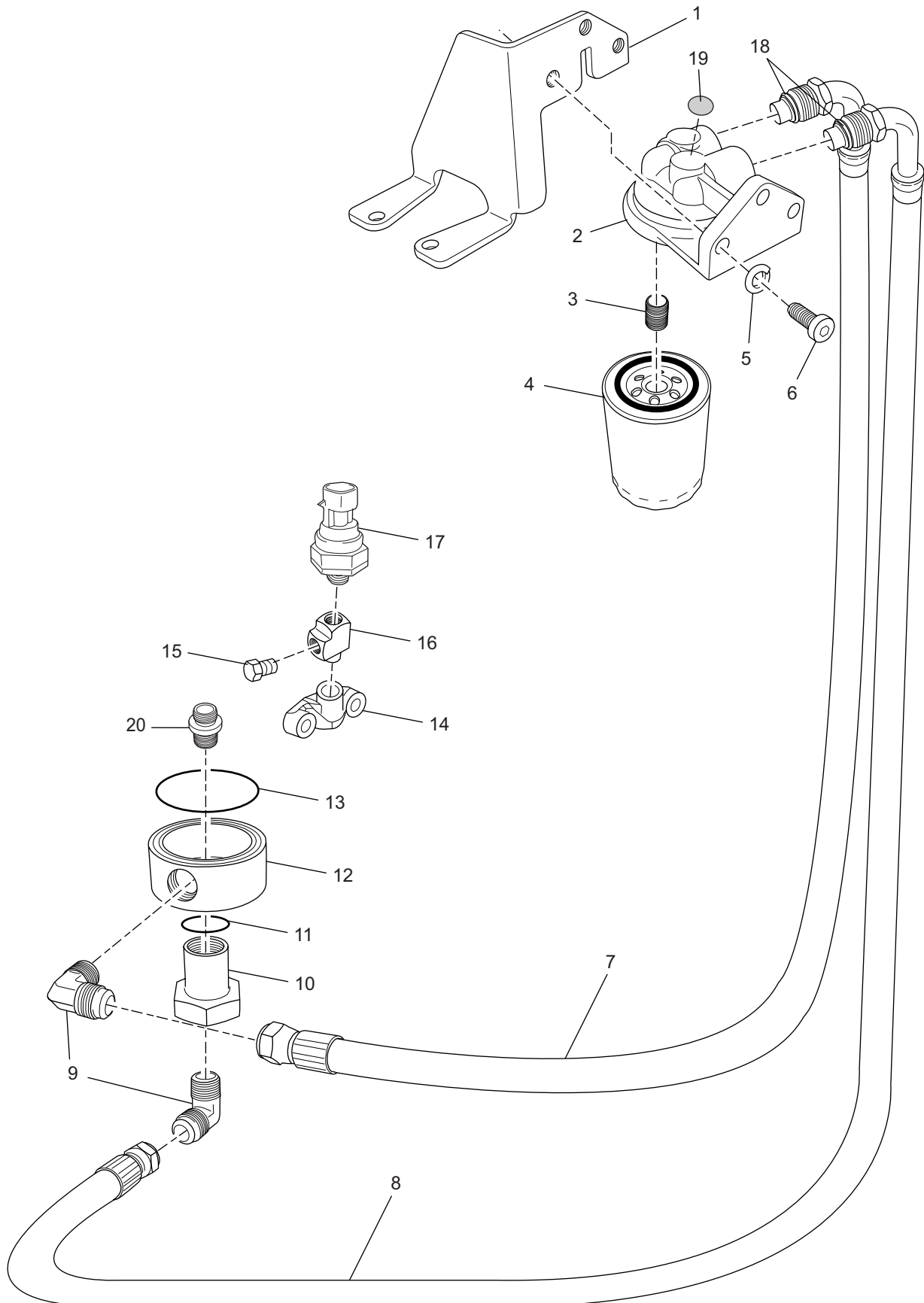


PC60P\_014-  
04-18-06

## REMOTE OIL FILTER COMPONENTS (STANDARD DRIVE) - FIGURE 7

ITEM	PART NO.	QTY.	DESCRIPTION	MODEL ID
1	99333020	3	<b>Bolt</b> , oil filter header mounting	
2	RS2179	3	<b>Lockwasher</b> , oil filter header mounting	
3	R079066	1	<b>Oil Filter Header</b>	
4	R090275	1	<b>Bracket</b> , oil filter header mounting	
5	R020049	1	<b>Sender</b> , oil pressure	
6	R024145	1	<b>Tee</b> , sender attaching	
7	RS3554	1	<b>Plug</b> , oil pressure sensor tee	
8	R079071	1	<b>Adapter</b> , oil sending unit	
9	R047240	1	<b>O-ring</b> , oil bypass adapter	
10	R079067	1	<b>Adapter</b> , oil bypass	
11	R047202	1	<b>O-ring</b> , oil bypass adapter attaching fitting	
12	R079068	1	<b>Nut</b> , oil bypass adapter attaching	
12	R079075	1	<b>Nut</b> , oil bypass adapter attaching SN 485676 and higher	
13	R024184	1	<b>Fitting</b> , 90 degree	
14	R045120D	1	<b>Hose Assembly</b> , filter header to bypass adapter	
15	R045120D	1	<b>Hose Assembly</b> , bypass adapter to filter header	
16	R024148	1	<b>Fitting</b> , straight	
17	R077001	1	<b>Filter</b> , oil	
18	R024203	1	<b>Nipple</b> , header filter adapter	
19	R047245	2	<b>O-Ring</b> , oil line	
20	R143175	1	<b>Decal</b> , "CAUTION HOT"	
21	R079074	1	<b>Adapter</b> , engine to oil bypass	
21	TBD	1	<b>Adapter</b> , engine to oil bypass SN485676 and higher	

REMOTE OIL FILTER COMPONENTS ("V" - DRIVE) - FIGURE 8

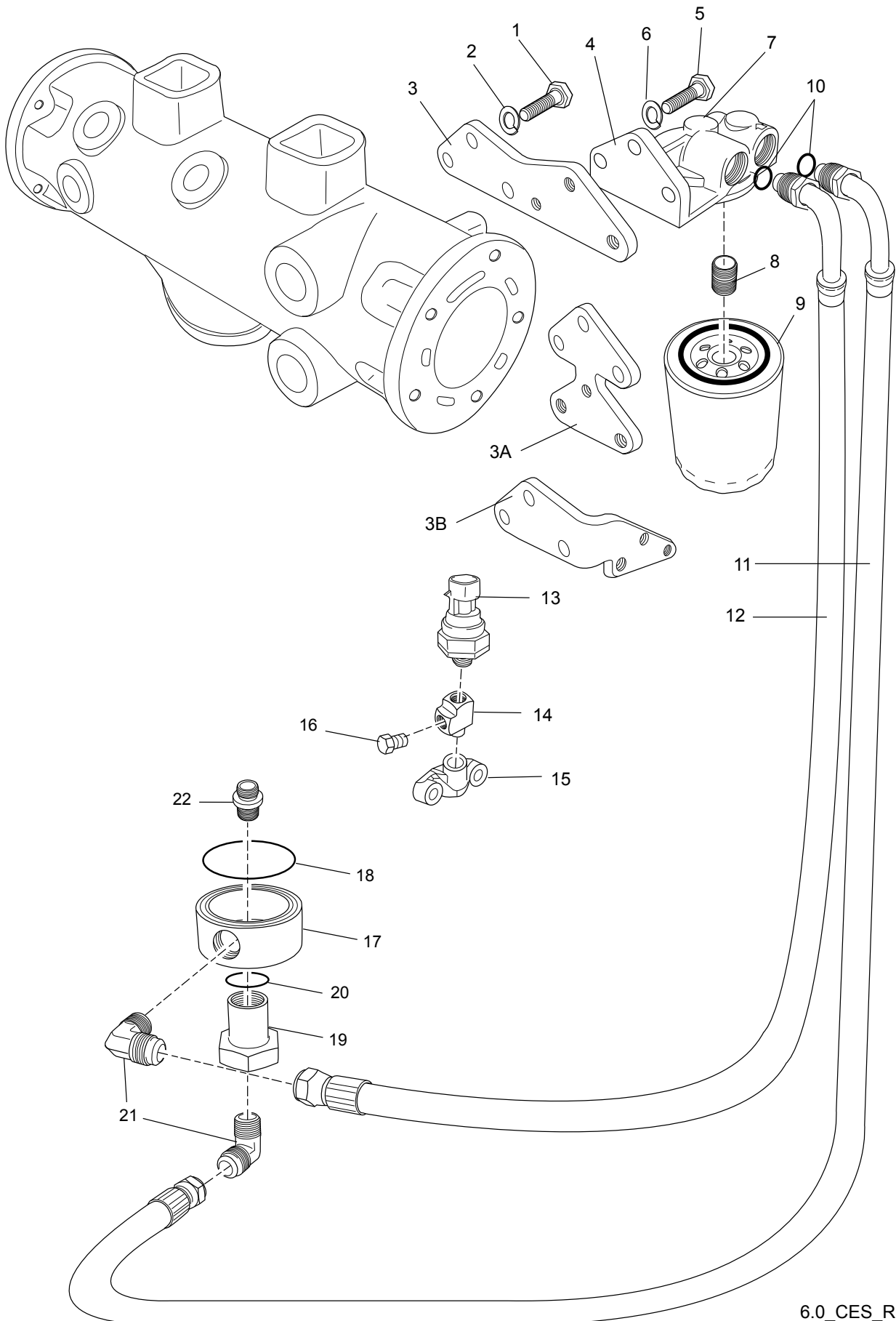


PC60P\_015-  
04-18-06

## REMOTE OIL FILTER COMPONENTS ("V" - DRIVE) - FIGURE 8

ITEM	PART NO.	QTY.	DESCRIPTION	MODEL ID
1	R090275	1	<b>Bracket</b> , oil filter header mounting	
2	R079066	1	<b>Oil Filter Header</b>	
3	R024203	1	<b>Nipple</b> , header filter adapter	
4	R077001	1	<b>Filter</b> , oil	
5	RS2179	3	<b>Lockwasher</b> , oil filter header mounting	
6	99333020	3	<b>Bolt</b> , oil filter header mounting	
7	RA045120	1	<b>Hose Assembly</b> , bypass adapter to filter header	
8	RA045120	1	<b>Hose Assembly</b> , filter header to bypass adapter	
9	R024184	2	<b>Fitting</b> , 90 degree	
10	R079068	1	<b>Nut</b> , oil bypass adapter attaching	
10	R079075	1	<b>Nut</b> , oil bypass adapter attaching SN 485676 and higher	
11	R047202	1	<b>O-ring</b> , oil bypass adapter attaching fitting	
12	R079067	1	<b>Adapter</b> , oil bypass	
13	R047240	1	<b>O-ring</b> , oil bypass adapter	
14	R079071	1	<b>Adapter</b> , oil sending unit	
15	RS3554	1	<b>Plug</b> , oil pressure sensor tee	
16	R024145	1	<b>Tee</b> , sender attaching	
17	R020049	1	<b>Sender</b> , oil pressure	
18	R047245	2	<b>O-Ring</b> , oil line	
19	R143175	1	<b>Decal</b> , "CAUTION HOT"	
20	R079074	1	<b>Adapter</b> , engine to oil bypass	
20	TBD	1	<b>Adapter</b> , engine to oil bypass SN485676 and higher	

CES REMOTE OIL FILTER COMPONENTS - FIGURE 9



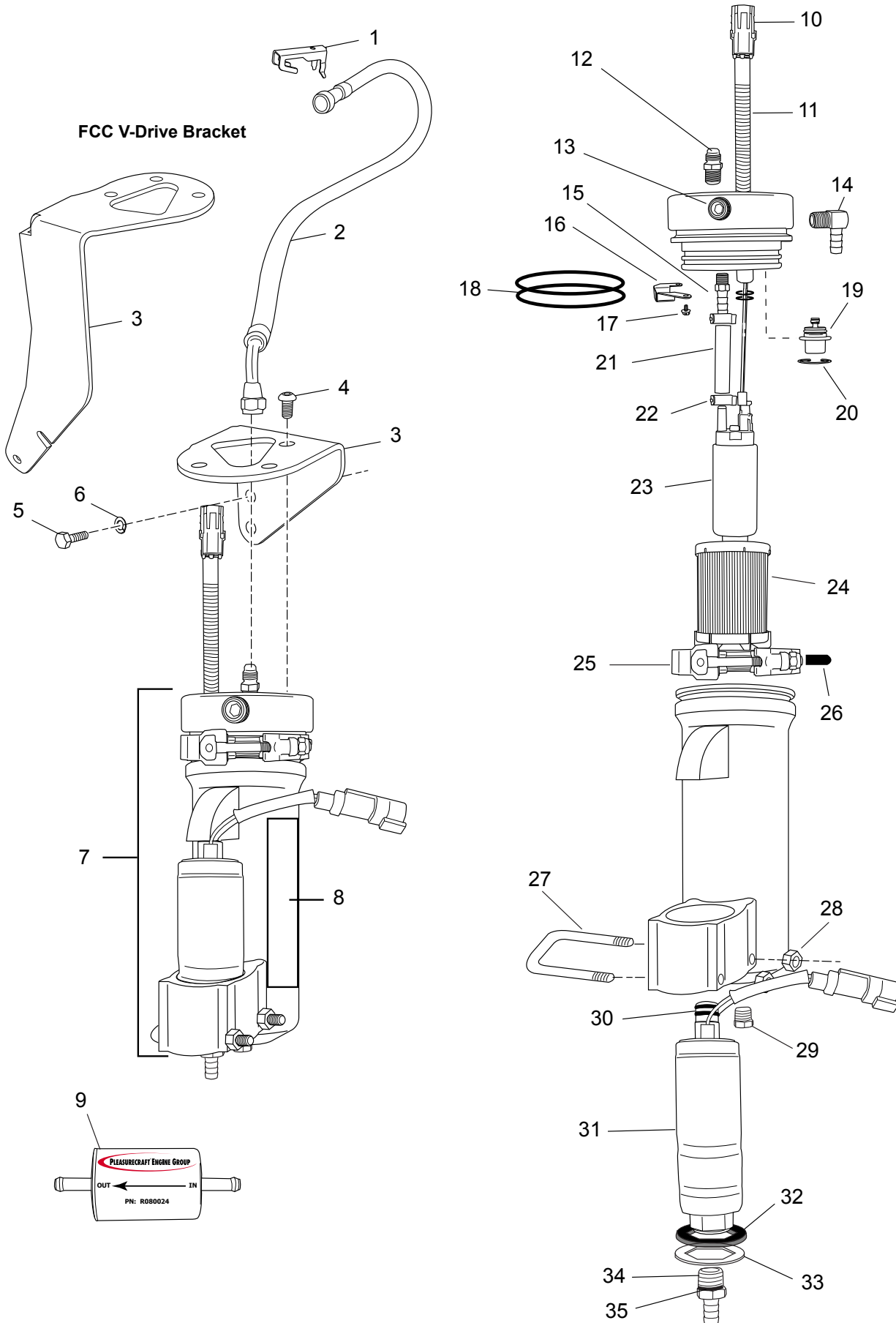
6.0\_CES\_ROF



## CES REMOTE OIL FILTER COMPONENTS - FIGURE 9

ITEM	PART NO.	QTY.	DESCRIPTION	MODEL ID
1	RS0280	3	<b>Bolt</b> , oil filter header mounting bracket attaching	05-6xxCV-xx
2	RS2179	3	<b>Lockwasher</b> , attaching bolt	
3	R090359	1	<b>Bracket</b> , oil filter header mounting	
3A	R090363	AR	<b>Bracket</b> , oil filter header mounting	
3B	R090364	AR	<b>Bracket</b> , oil filter header mounting	
4	R079066	1	<b>Oil Filter Header</b>	
5	98333020	3	<b>Bolt</b> , oil filter header mounting	
6	RS2179	3	<b>Lockwasher</b> , oil filter header mounting bolt	
7	R143175	1	<b>Decal</b> , "Hot", oil header	
8	R024203	1	<b>Nipple</b> , header filter adapter	
9	R077001	1	<b>Filter</b> , oil	
10	R047245	2	<b>O-Ring</b> , oil line	
11	RA045120	1	<b>Hose Assembly</b> , filter header to bypass adapter	
12	TBD	1	<b>Hose Assembly</b> , bypass adapter to filter header	
13	R020049	1	<b>Sender</b> , oil pressure	
14	R024145	1	<b>Tee</b> , sender attaching	
15	R079071	1	<b>Adapter</b> , oil sending unit	
16	RS3554	1	<b>Plug</b> , oil pressure tee	
17	R079067	1	<b>Adapter</b> , oil bypass	
18	R047202	1	<b>O-ring</b> , oil bypass adapter attaching fitting	
19	R079068	1	<b>Nut</b> , oil bypass adapter attaching	
19	R079075	1	<b>Nut</b> , oil bypass adapter attaching SN 485676 and higher	
20	R047240	1	<b>O-ring</b> , oil bypass adapter	
21	R024184	2	<b>Fitting</b> , 90 degree	
22	R079074	1	<b>Adapter</b> , engine to oil bypass	
22	TBD	1	<b>Adapter</b> , engine to oil bypass SN485676 and higher	

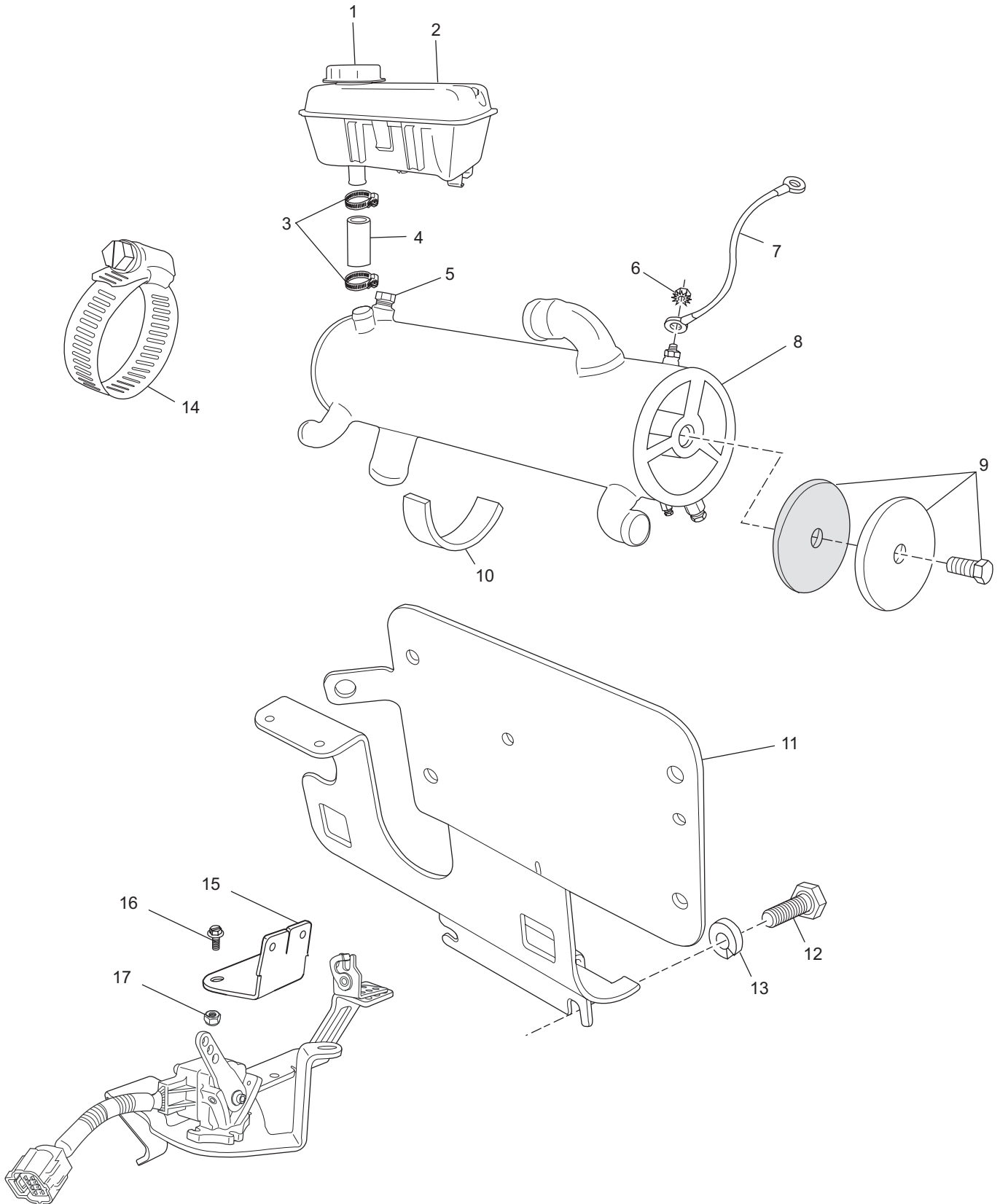
FUEL CONTROL CELL (FCC) COMPONENTS - FIGURE 10



## FUEL CONTROL CELL (FCC) COMPONENTS - FIGURE 10

ITEM	PART NO.	QTY.	DESCRIPTION	MODEL ID
1	R127100	2	<b>Locking Clip</b> , fuel line	
2	RA085090C	1	<b>Hose Assembly</b> , FCC to fuel rail (inlet)	
2	RA085090E	1	<b>Hose Assembly</b> , FCC to fuel rail (inlet)	xx-601V-xx
3	R090276	1	<b>Bracket</b> , FCC mounting	
3	R090277A	1	<b>Bracket</b> , FCC mounting	xx-601V-xx
4	90384075	3	<b>Bolt</b> , FCC mounting	
5	98443025	2	<b>Bolt</b> , FCC mounting bracket	
6	93940000	2	<b>Lockwasher</b> , FCC mounting bracket	
7	RA080035	1	<b>FCC Assembly</b>	
8	R143112C	1	<b>Decal</b> , FCC	
9	R080024A	1	<b>Filter</b> , primary fuel	
10	7172040	1	<b>Connector</b> , W/P 2-Way Female	
11	R1210085A	1	<b>Harness</b> , 1 piece, FCC high pressure fuel pump	
12	R024175	1	<b>Fitting</b> , FCC head (fuel supply line)	
13	RS3550	1	<b>Plug</b> , FCC head	
14	R024225	1	<b>Fitting</b> , 90 degree	
15	R024219	1	<b>Fitting</b> , FCC internal	
16	R012030	1	<b>Baffle</b> , fuel	
17	91620025	2	<b>Screw</b> , self-tapping, baffle/harness retaining	
18	R047241	2	<b>O'Ring</b> , FCC bowl-to-head seal	
19	R088004	1	<b>Regulator</b> , fuel pressure	
20	R048070	1	<b>Retainer</b> , fuel pressure regulator	
21	R045098B	1	<b>Hose</b> , FCC internal fuel	
22	R127087	2	<b>Clamp</b> , Oeticker	
23	RA080027	1	<b>Pump</b> , FCC high pressure fuel	
24	R080026	1	<b>Filter</b> , FCC	
25	R171010	1	<b>Clamp</b> , FCC bowl-to-head retaining	
26	R128002	1	<b>Cover</b> , FCC clamp T-bolt	
27	R127102	1	<b>U-Bolt</b> , low pressure fuel pump retaining	
28	95004300	2	<b>Nut</b> , Nylock, low-pressure fuel pump retaining	
29	RS3554	1	<b>Plug</b> , FCC drain	
30	R047252	2	<b>O'Ring</b> , LPFP seal	
31	RA080032A	1	<b>Fuel Pump</b> , low-pressure	
32	R094045	1	<b>Isolator</b> , LPFP mounting	
33	R169064	AR	<b>Shim</b> , LPFP mounting, 11 gage	
33	R169064A	AR	<b>Shim</b> , LPFP mounting, 16 gage	
33	R169064B	AR	<b>Shim</b> , LPFP mounting, 22 gage	
34	R024232	1	<b>Fitting</b> , LPFP to 3/8 Hose barb	
35	R047251	1	<b>O'Ring</b> , seal (p/o item 31)	
NI	R143114	1	<b>Decal</b> , Warning, fuel leaks	
NI	RP080026	1	<b>Kit, Filter and O-Rings</b> , FCC	

HEAT EXCHANGER and COMPONENTS - FIGURE 11

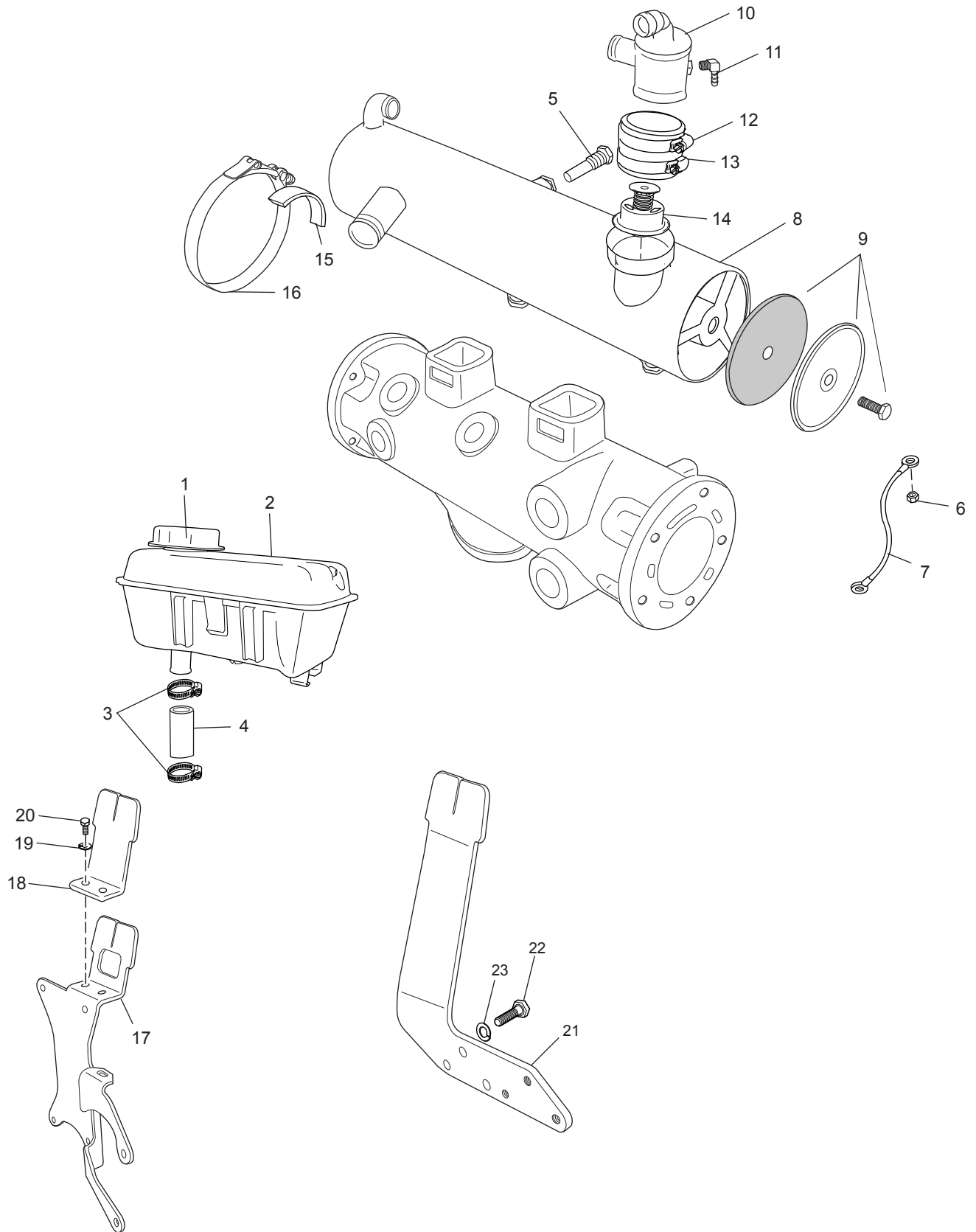


PC60P\_007-08  
04-02-08

## HEAT EXCHANGER and COMPONENTS - FIGURE 11

ITEM	PART NO.	QTY.	DESCRIPTION	MODEL ID
1	R034045	1	<b>Cap</b> , degas bottle	
2	R146001	1	<b>Bottle</b> , degas	
NI	TBD	1	<b>Decal</b> , 6.0L specification	
NI	R143153	1	<b>Decal</b> , coolant fill	
3	RS3872	2	<b>Clamp</b> , hose	
4	R045161	1	<b>Hose</b> , degas bottle to heat exchanger	
5	R168008	AR	<b>Anode</b> , sacrificial zinc	
6	RS1078	1	<b>Nut</b> , ground wire stud	
7	R101013	1	<b>Wire</b> , grounding	
8	RA147047	1	<b>Heat Exchanger Assembly</b>	
9	R034009	AR	<b>End Cap</b> , exchanger	
10	R094040	2	<b>Isolator</b> , rubber	
11	R090279B	1	<b>Bracket</b> , heat exchanger	
12	RS0304	2	<b>Bolt</b> , heat exchanger bracket attaching	
13	RS2380	2	<b>Lockwasher</b> , mounting bolt	
14	RS3857	2	<b>Clamp</b> , exchanger mounting	
15	R090274A	1	<b>Bracket</b> , degas bottle mounting	
16	TBD	2	<b>Bolt</b> , degas bottle bracket attaching	
17	TBD	2	<b>Nut</b> , degas bottle bracket attaching	
NI	R143155	1	<b>Decal</b> , Protective Anode	
NI	R143156	1	<b>Decal</b> , Raw Water Drain	
NI	R143157	1	<b>Decal</b> , Fresh Water Drain	

CES HEAT EXCHANGER and COMPONENTS - FIGURE 12

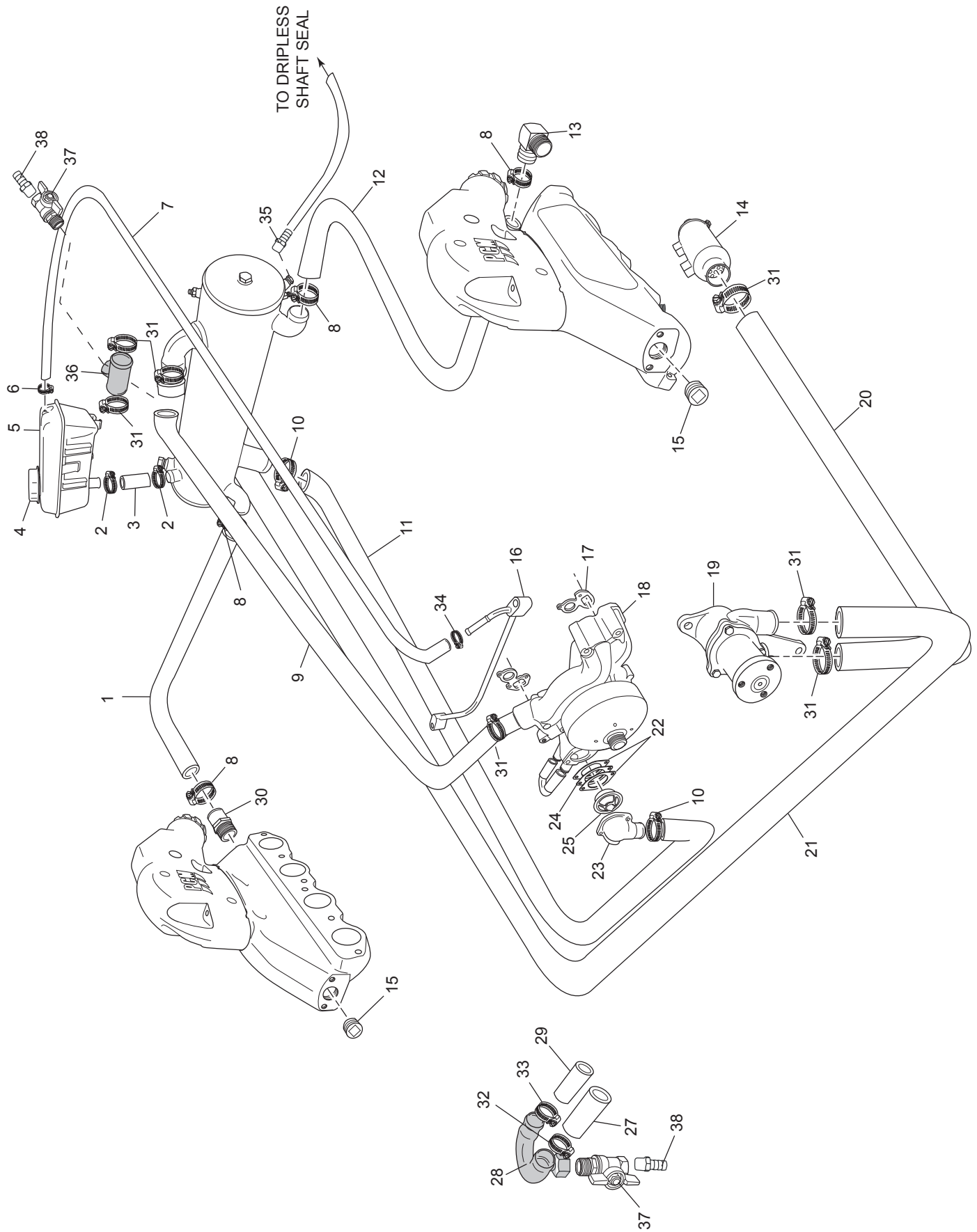


6.0\_CES\_HE

## CES HEAT EXCHANGER and COMPONENTS - FIGURE 12

ITEM	PART NO.	QTY.	DESCRIPTION	MODEL ID
1	R034045	1	<b>Cap</b> , degas bottle	
2	R146001	1	<b>Bottle</b> , degas	
NI	TBD	1	<b>Decal</b> , 6.0L specification	
NI	R143153	1	<b>Decal</b> , coolant fill	
3	RS3872	2	<b>Clamp</b> , hose	
4	TBD	1	<b>Hose</b> , degas bottle to heat exchanger	
5	R168008	AR	<b>Anode</b> , sacrificial zinc	
6	RS1078	1	<b>Nut</b> , ground wire stud	
7	R101013	1	<b>Wire</b> , grounding	
8	RA147047	1	<b>Heat Exchanger Assembly</b>	
9	R034009	AR	<b>End Cap</b> , exchanger	
10	R025045	1	<b>Thermostat Housing</b>	
11	TBD	1	<b>Fitting</b> , 90 degree	
12	RS3860	2	<b>Clamp</b> , thermostat housing	
13	R045162	1	<b>Hose</b> , thermostat housing attaching	
14	R026007A	1	<b>Thermostat</b> , (160 degree w/hole)	
15	R094047	2	<b>Isolator</b> , rubber	
16	RS3857	2	<b>Clamp</b> , exchanger mounting	
17	R090362	1	<b>Bracket</b> , ECM/Low mount degas	
18	R090385	1	<b>Bracket</b> , degas bottle fill location/high mount	
19	93934000	2	<b>Lockwasher</b> , high mount degas bracket attaching	
20	98334016	2	<b>Bolt</b> , high mount degas bracket attaching	
21	R090386	1	<b>Bracket</b> , rear mount degas bottle bracket	
22	98334014	3	<b>Bolt</b> , rear mount degas bottle bracket attaching	
23	RS2179	3	<b>Lockwasher</b> , rear mount degas bottle bracket attaching	
NI	R143155	1	<b>Decal</b> , Protective Anode	
NI	R143156	1	<b>Decal</b> , Raw Water Drain	
NI	R143157	1	<b>Decal</b> , Fresh Water Drain	
NI	R143183-08	1	<b>Decal</b> , 6.0 Emission MY '08	
NI	R143194	1	<b>Decal</b> , "Super Ultra Low Emission"	

FRESH WATER COOLING SYSTEM COMPONENTS - FIGURE 13



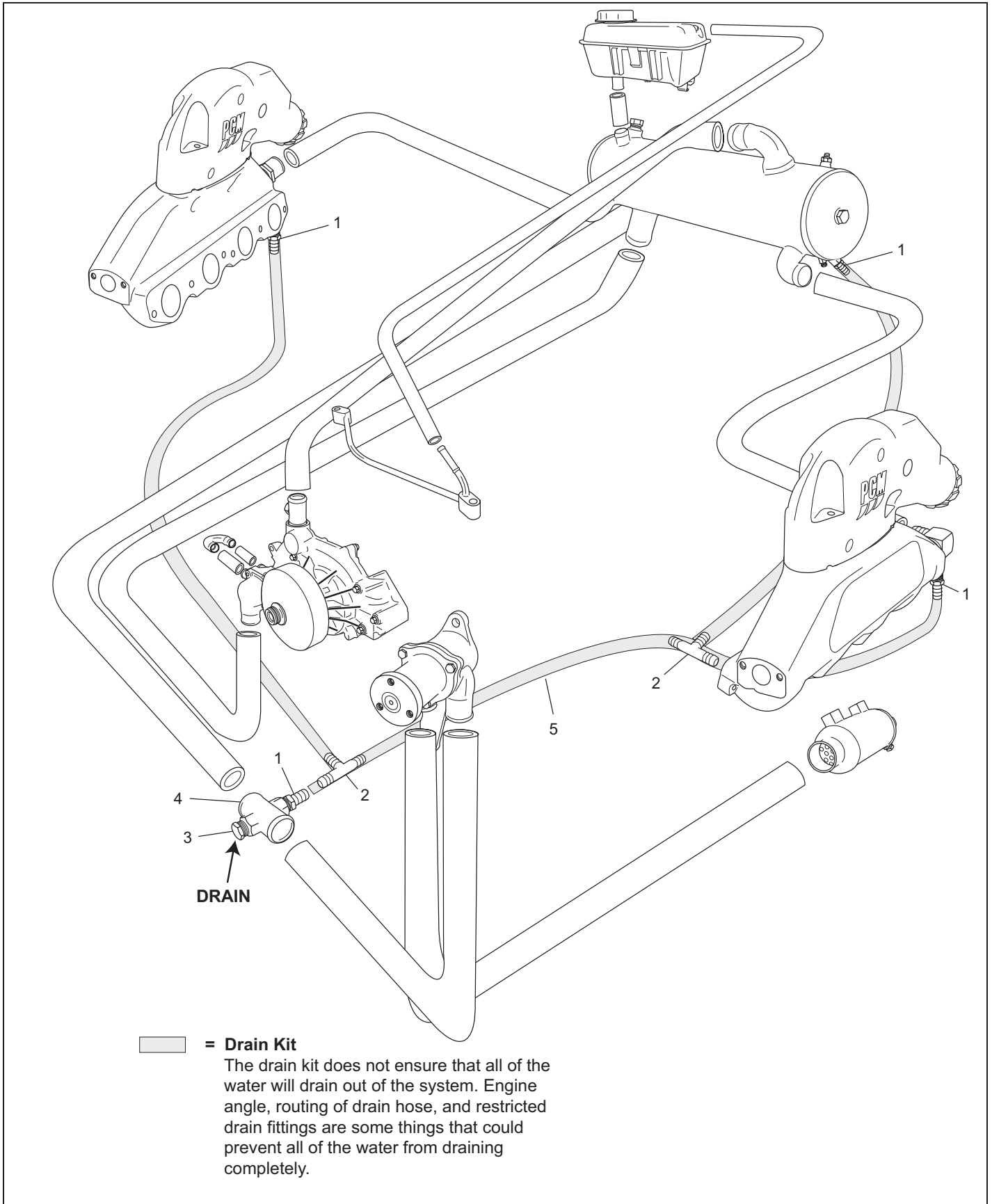
PC60P\_006c-08  
4-02-08



## FRESH WATER COOLING SYSTEM COMPONENTS - FIGURE 13

ITEM	PART NO.	QTY.	DESCRIPTION	MODEL ID
1	R045151	1	<b>Hose</b> , exchanger to exhaust manifold (Starboard STD)	
2	RS3872	2	<b>Clamp</b> , hose	
3	R045161	1	<b>Hose</b> , degas bottle to heat exchanger	
4	R034045	1	<b>Cap</b> , degas bottle	
5	R146001	1	<b>Bottle</b> , degas	
6	R127087	1	<b>Clamp</b> , hose (5/8" - degas bottle)	
7	R045132	1	<b>Hose</b> , coolant air bleed to bottle	
8	RS3851	4	<b>Clamp</b> , hose (1")	
9	R045149A	1	<b>Hose</b> , circ. pump to heat exchanger	
10	RS3868	2	<b>Clamp</b> , hose (1 1/2")	
11	R045148	1	<b>Hose</b> , exchanger to thermostat housing	
12	R045150	1	<b>Hose</b> , exchanger to exhaust manifold (Port STD)	
13	R024006A	1	<b>Fitting</b> , 90 degree	
14	R147014	1	<b>Cooler</b> , transmission oil	
15	113186	2	<b>Plug</b> , manifold	
16	RA085104	1	<b>Tube</b> , coolant air bleed	
17	RM0281	2	<b>Gasket</b> , water pump to engine block	
18	RK057036	1	<b>Water Circulation Pump Assembly</b>	
19	RA057032	1	<b>Raw Water Pump</b>	
20	18401	1	<b>Hose</b> , oil cooler to raw water pump (cut-to-fit)	
21	R045147	1	<b>Hose</b> , raw water pump to exchanger	
22	RM0275	2	<b>Gasket</b> , thermostat housing	
23	R025036	1	<b>Thermostat Housing</b>	
24	R109051	1	<b>Plate</b> , thermostat retainer	
25	R026002	1	<b>Thermostat</b> , (160 degree)	
26	R024208	1	<b>Water Neck</b>	
26A	RS3551	2	<b>Plug</b> , water neck	
27	R045153	1	<b>Hose</b> , coolant bypass fitting (3/4" bulk)	
28	R024210A	1	<b>Bypass</b> , coolant, U-Tube, 1/2" NPTF	
28	R024210B	1	<b>Bypass</b> , coolant, U-Tube, 1/2" NPTM, SN 485870 and higher	
29	R045086	1	<b>Hose</b> , coolant bypass fitting (5/8" bulk)	
30	R024073	1	<b>Fitting</b> , manifold straight	
31	RS3858	10	<b>Clamp</b> , hose (1 1/4")	
32	R127087G	2	<b>Clamp</b> , hose (1 1/16" oetiker)	
33	R127087F	2	<b>Clamp</b> , hose (1" oetiker)	
34	R127084	1	<b>Clamp</b> , hose (vent tube)	
35	R024234	AR	<b>Fitting</b> , 3/8 NPT x 5/16 hose	
36	R024249	1	<b>Tee</b> , 1 1/4 to 1/2 NPTF	
36	R024249A	1	<b>Tee</b> , 1 1/4 to 1/2 NPTM, SN 485870 and higher	
37	R035039	2	Ball <b>Valve</b> , 1/2 NPTM X1/2NPTF	
37	R035039A	2	Ball <b>Valve</b> , 1/2 NPTF X1/2NPTF, SN 485870 and higher	
38	30645	AR	<b>Fitting</b> , 1/2 NPT x 5/8 hose	
NI	444705	AR	<b>Plug</b> , 1/2 NPT, soc	
NI	RF035039A	AR	<b>Heater Retrofit Kit</b> , includes items 28, 36, 37	

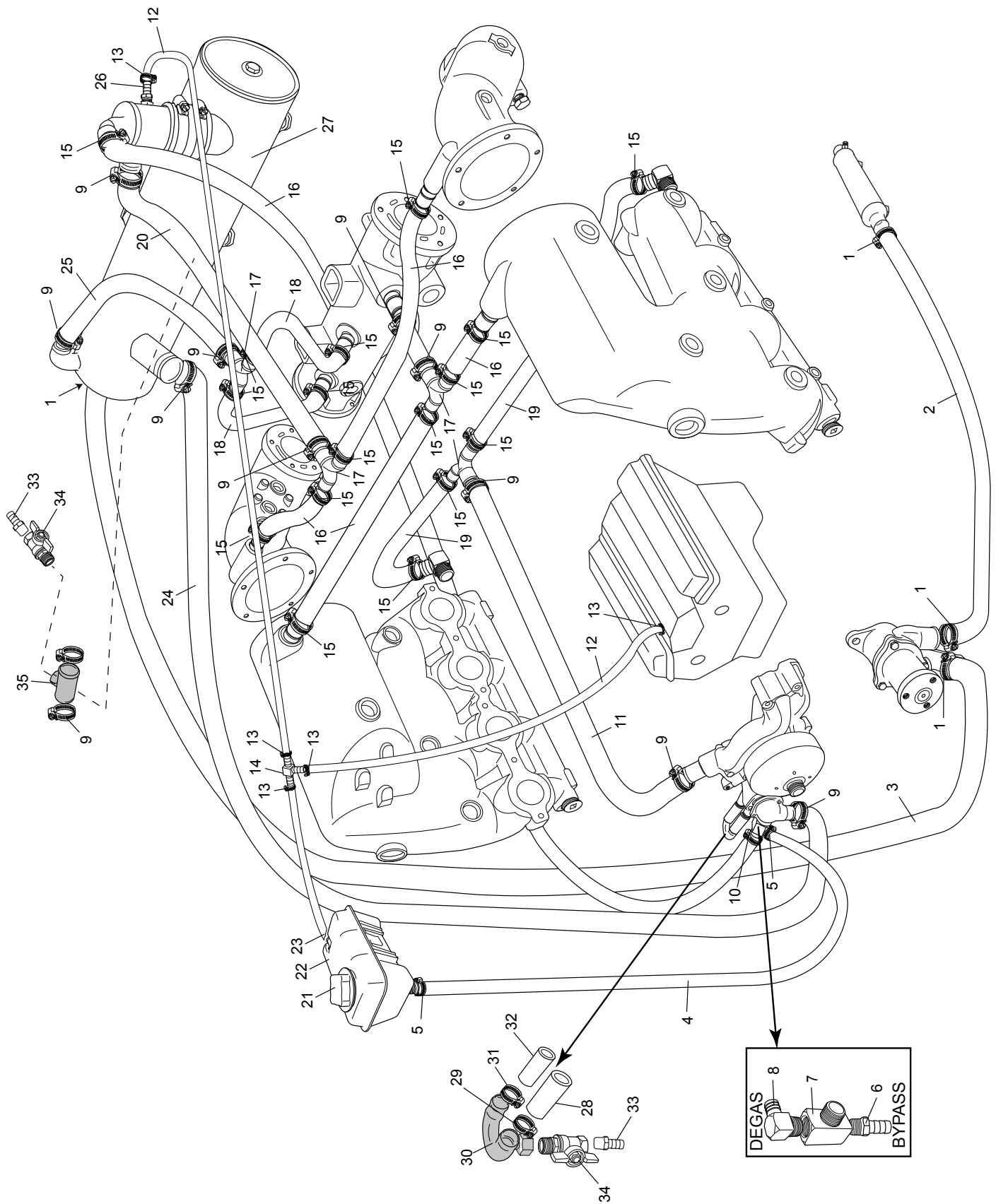
OPTIONAL DRAIN KIT COMPONENTS - FIGURE 14



## OPTIONAL DRAIN KIT COMPONENTS - FIGURE 14

ITEM	PART NO.	QTY.	DESCRIPTION	MODEL ID
1	R024218	4	<b>Fitting</b> , straight	
2	R024215	2	<b>Tee</b> , hose	
3	RS3557	1	<b>Plug</b> , drain	
4	R024216	1	<b>Fitting</b> , 4-way RW drain	
5	R045175	AR	<b>Hose</b> , RW drain	
NS	R127087G	10	<b>Clamp</b> , hose (1 1/16" oetiker)	
NS	R127087F	2	<b>Clamp</b> , hose (1" oetiker)	

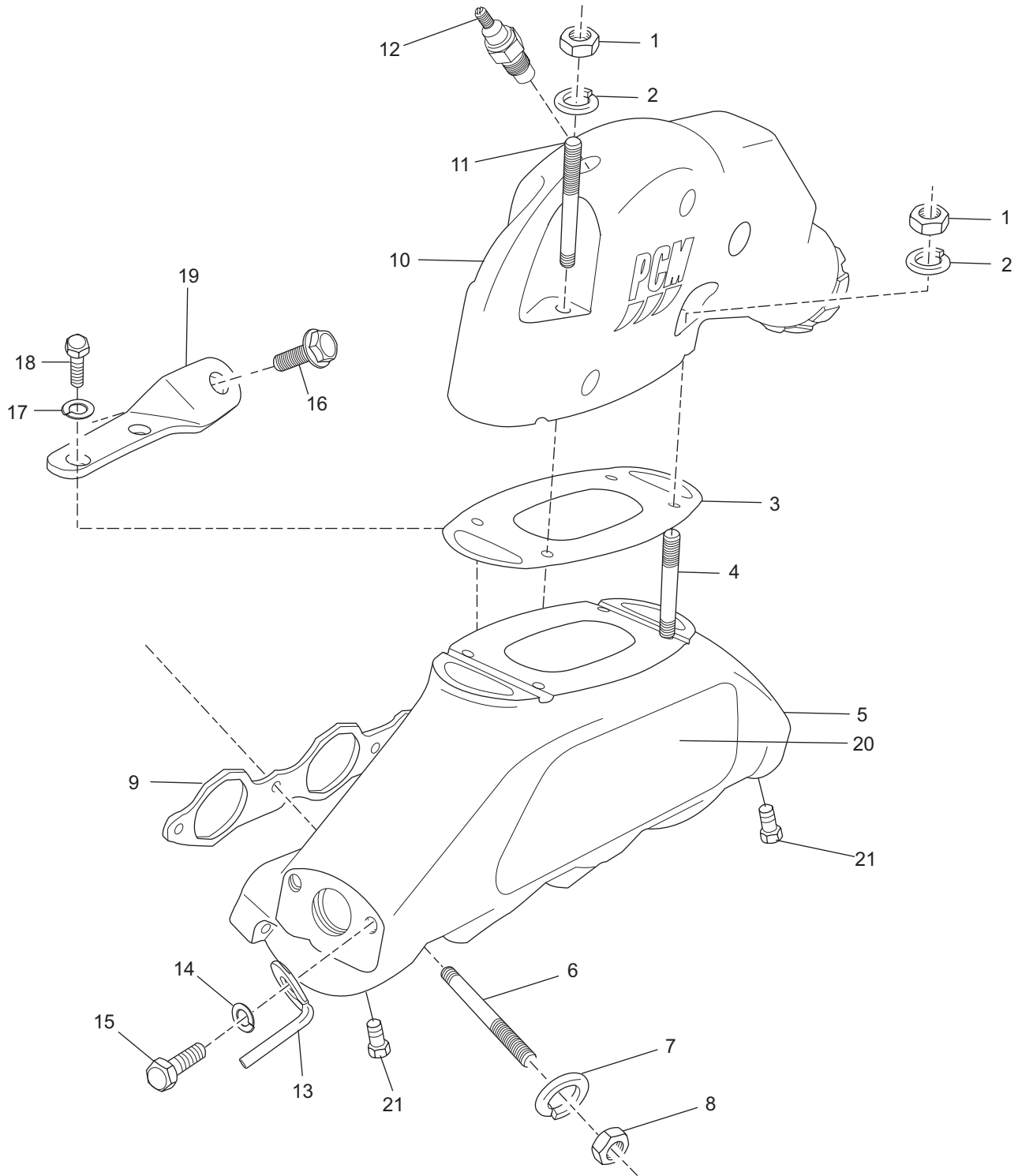
CES FRESH WATER COOLING SYSTEM COMPONENTS - FIGURE 15



## CES FRESH WATER COOLING SYSTEM COMPONENTS - FIGURE 15

ITEM	PART NO.	QTY.	DESCRIPTION	MODEL ID
1	RS3858	4	<b>Clamp</b> , hose #20 (1-1/4")	
2	R045152B	1	<b>Hose</b> , cooler/RWP 6.0L	
3	R045188	1	<b>Hose</b> , RWP / HE 6.0L	
4	R045161A	1	<b>Hose</b> , Degas / Waterneck	
5	RS3854	2	<b>Clamp</b> , hose #12 (7/8")	
6	R024073	1	<b>Connector</b> , hose 3/4 NPT X 1	
7	R024247	1	<b>Fitting</b> , TEE 3/4"NPT Male BNCH	
8	R024246	1	<b>Fitting</b> , Elbow 3/4 NPT X 3/4 H	
9	RS3868	10	<b>Clamp</b> , hose #24 (1-1/2")	
10	RS3851	1	<b>Clamp</b> , hose #16 (1")	
11	R045149A	1	<b>Hose</b> , Circ Pump / HE	
12	R045132	AR	<b>Hose</b> , 1/4" BULK	
13	RS3870	5	<b>Clamp</b> , hose, #04 1/4"	
14	R024245	1	<b>Fitting</b> , TEE 1/4" hose barb	
15	RS3851	17	<b>Clamp</b> , hose #16 (1")	
16	R045107	AR	<b>Hose</b> , 1" BULK	
17	R024054D	4	<b>Fitting</b> , TEE 1 X 1 1-1/4"	
18	R045190	2	<b>Hose</b> , RW OUT HE/CROSSOVER	
19	R045157B	1	<b>Hose</b> , EX MAN / Circ Pump Tee	
20	R045190	1	<b>Hose</b> , Tstat Housing / Ex Corner Tee	
21	R034045	1	<b>Cap</b> , degas bottle	
22	R146001	1	<b>Bottle</b> , degas	
23	R127087	1	<b>Clamp</b> , hose (5/8" - degas bottle)	
24	R045148A	1	<b>Hose</b> , Circ Pump / HE	
25	18402	1	<b>Hose</b> , Formed 90 Degree 1.5"	
26	R024055	1	<b>Fitting</b> , elbow, 1/8NPT X 1/4" hose	
27	RA147052	1	<b>Heat Exchanger</b>	
28	R045153	AR	<b>Hose</b> , 3/4" ID bulk	
29	R127087G	2	<b>Clamp</b> , hose (1 1/16" oetiker)	
30	R024210A	1	<b>Bypass</b> , coolant, U-Tube, 1/2" NPTF	
30	R024210B	1	<b>Bypass</b> , coolant, U-Tube, 1/2" NPTM, SN 485870 and higher	
31	R127087F	2	<b>Clamp</b> , hose (1" oetiker)	
32	R045086	AR	<b>Hose</b> , 5/8" ID	
33	30645	AR	<b>Fitting</b> , 1/2 NPT x 5/8 hose	
34	R035039	2	Ball <b>Valve</b> , 1/2 NPTM X1/2NPTF	
34	R035039A	2	Ball <b>Valve</b> , 1/2 NPTF X1/2NPTF, SN 485870 and higher	
35	R024249	1	<b>Tee</b> , 1 1/4 to 1/2 NPTF	
35	R024249A	1	<b>Tee</b> , 1 1/4 to 1/2 NPTM, SN 485870 and higher	

EXHAUST MANIFOLD and COMPONENTS - FIGURE 16

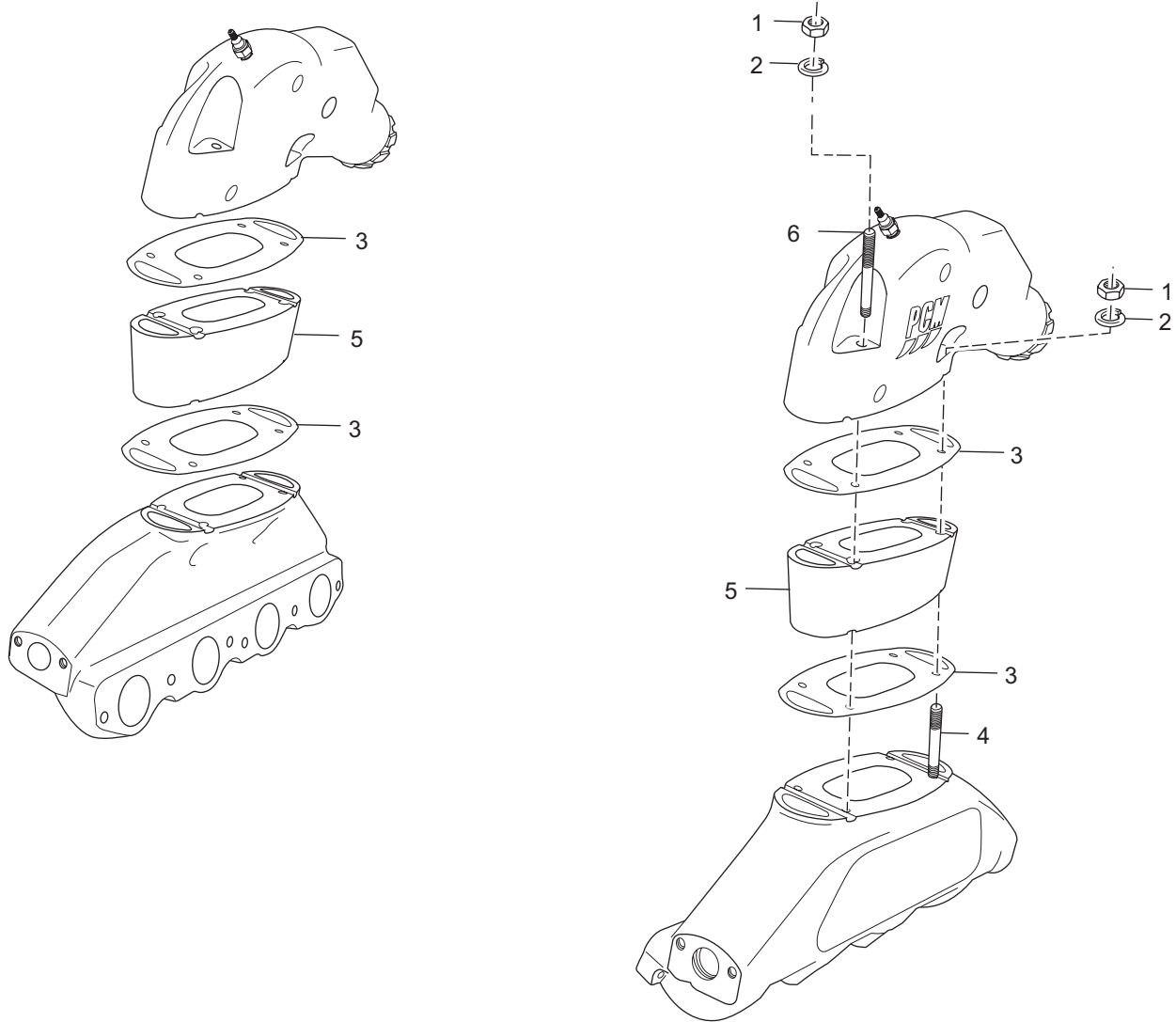


PC60P\_011-07  
05-31-06

## EXHAUST MANIFOLD and COMPONENTS - FIGURE 16

ITEM	PART NO.	QTY.	DESCRIPTION	MODEL ID
1	95310000	8	<b>Nut</b> , exhaust elbow attaching	
2	93300000	8	<b>Lockwasher</b> , exhaust elbow attaching	
3	RM0274	2	<b>Gasket</b> , manifold to exhaust elbow	
4	R031036	4	<b>Stud</b> , exhaust elbow attaching (short)	
4	R031039	AR	<b>Stud</b> , exhaust elbow attaching w/4" riser (short)	
5	R028023	2	<b>Exhaust Manifold Assembly</b>	
6	R031035	12	<b>Stud</b> , manifold to cylinder head attaching	
7	RS2179	12	<b>Lockwasher</b> , manifold to cylinder head attaching	
8	RS7026	12	<b>Nut</b> , manifold to cylinder head attaching	
9	RM0276A	2	<b>Gasket</b> , manifold to cylinder head	
10	R029016	2	<b>Exhaust Elbow Assembly</b>	
11	R031037	4	<b>Stud</b> , exhaust elbow attaching (long)	
11	R031040	AR	<b>Stud</b> , exhaust elbow attaching w/4" riser (long)	
12	R020047	2	<b>Switch</b> , exhaust temperature (optional)	
NI	RS3539	2	<b>Plug</b> , exhaust elbow	
13	R096144	2	<b>Retainer</b> , spark plug wire clip	
14	922200020	2	<b>Washer</b> , retainer attaching	
15	RS0280	2	<b>Bolt</b> , retainer attaching	
16	98222018	2	<b>Bolt</b> , bracket attaching	
17	93920000	4	<b>Lockwasher</b> , bracket attaching	
18	90165063	4	<b>Bolt</b> , bracket attaching	
19	R090305	2	<b>Bracket</b> , manifold support	
20	R143002K	2	<b>Decal</b> , exhaust manifold, 6.0L	
21	RS3557	4	<b>Plug</b> , Hex Head, Brass 3/8" NPT	
			<b>*NOTE:</b> See Fresh Water Cooling section for parts used on Fresh Water Cooled engines.	

EXHAUST MANIFOLD 4" SPACER KIT COMPONENTS - FIGURE 17



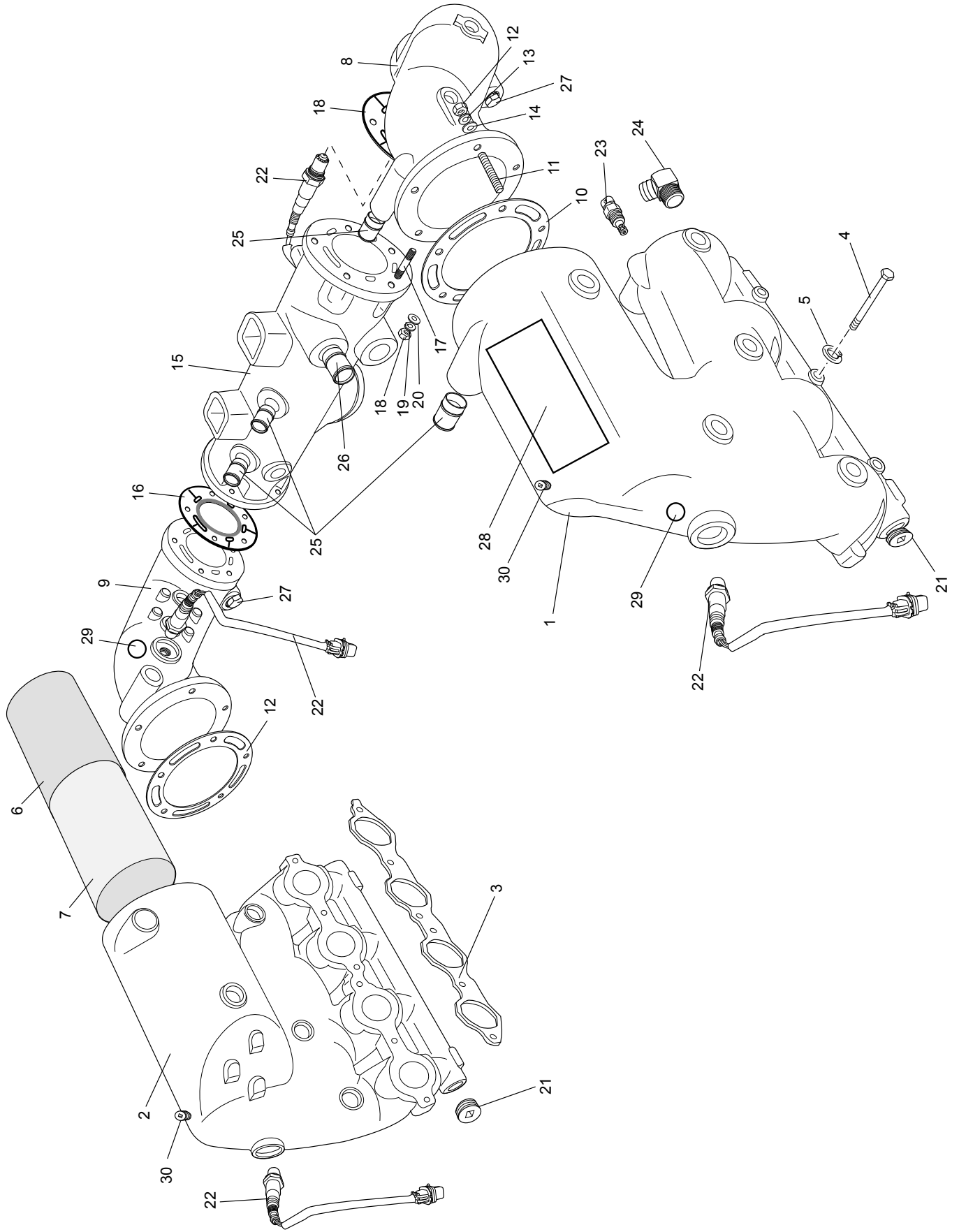
PC60015  
07-07-06



## EXHAUST MANIFOLD 4" SPACER KIT COMPONENTS - FIGURE 17

ITEM	PART NO.	QTY.	DESCRIPTION	MODEL ID
1	95310000	8	<b>Nut</b> , exhaust elbow attaching	15-601V-XX
2	93300000	8	<b>Lockwasher</b> , exhaust elbow attaching	15-601V-XX
3	RM0274	4	<b>Gasket</b> , manifold/spacer and spacer/elbow	15-601V-XX
4	R031039	4	<b>Stud</b> , exhaust elbow attaching w/4" riser (short)	15-601V-XX
5	R062086	2	<b>Spacer</b> , 4"	15-601V-XX
6	R031040	4	<b>Stud</b> , exhaust elbow attaching w/4" riser (long)	15-601V-XX
NI	RK062086	AR	<b>Kit</b> , riser	15-601V-XX

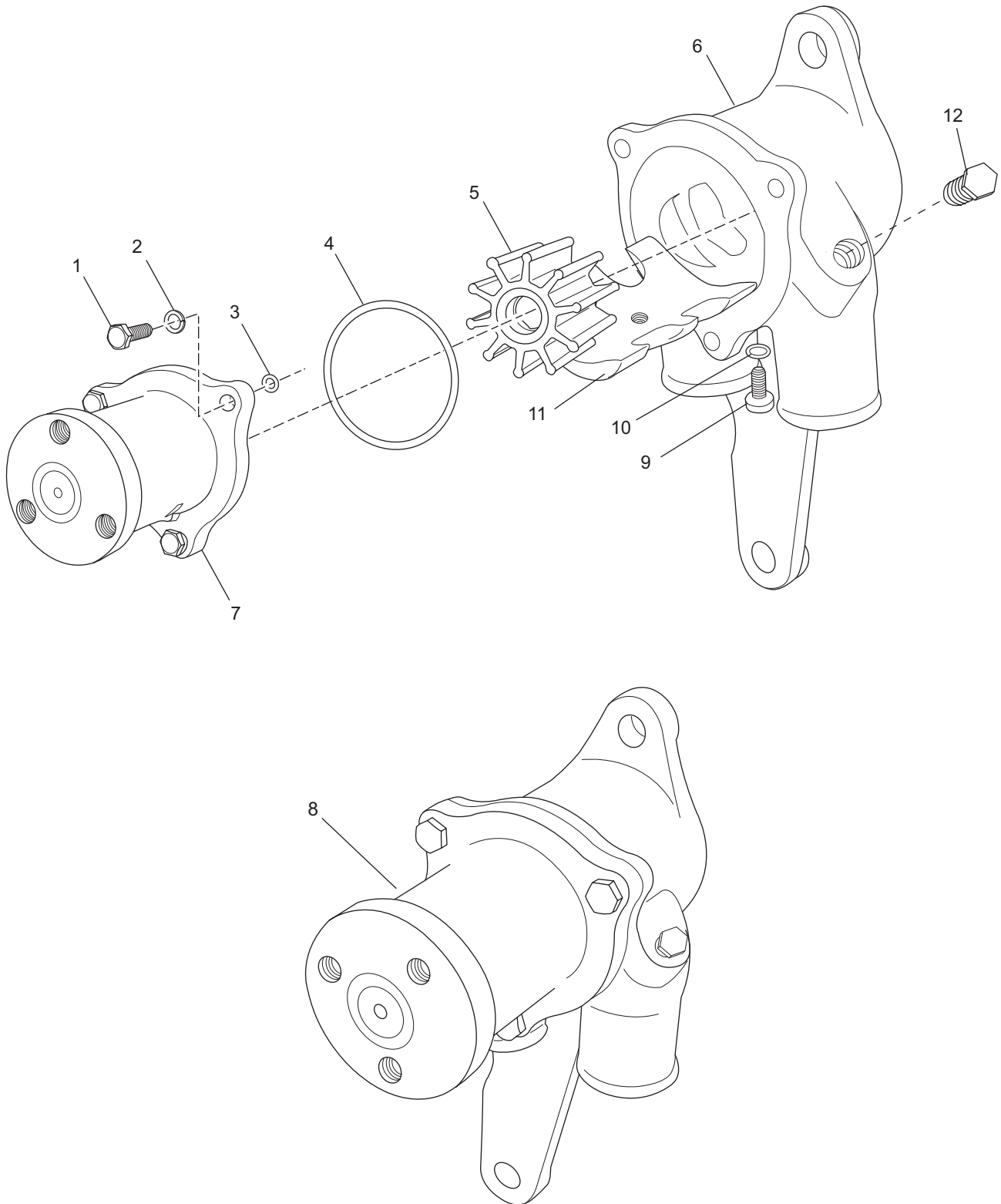
CES EXHAUST MANIFOLD and COMPONENTS - FIGURE 18



## CES EXHAUST MANIFOLD and COMPONENTS - FIGURE 18

ITEM	PART NO.	QTY.	DESCRIPTION	MODEL ID
1	R028027	1	<b>Exhaust Manifold Assembly</b> - Port	
2	R028028	1	<b>Exhaust Manifold Assembly</b> - Starboard	
3	RM0276A	2	<b>Gasket</b> , manifold to cylinder head	
4	98334040	12	<b>Bolt</b> , manifold to cylinder head attaching	
5	93934000	12	<b>Lockwasher</b> , manifold to cylinder head attaching	
6	R144001A	2	<b>Catalyst</b>	
7	RM0291	2	<b>Mesh</b> , catalyst support	
8	R133001	1	<b>Exhaust Corner - Port</b>	
9	R133002	1	<b>Exhaust Corner - Starboard</b>	
10	RM0285	2	<b>Gasket</b> , manifold to corner	
11	R031044	10	<b>Stud</b> , exhaust manifold to corner attaching	
12	97334000	10	<b>Nut</b> , corner to manifold attaching	
13	93934000	10	<b>Lock Washer</b> , corner to manifold attaching	
14	92934020	10	<b>Flat Washer</b> , corner to manifold attaching	
15	R133003	1	<b>Exhaust Crossover</b>	
16	RM0286	2	<b>Gasket</b> , corner to crossover	
17	R031045	10	<b>Stud</b> , exhaust corner to crossover attaching	
18	97334000	10	<b>Nut</b> , crossover to corner attaching	
19	93934000	10	<b>Lock Washer</b> , crossover to corner attaching	
20	92934020	10	<b>Flat Washer</b> , crossover to corner attaching	
21	RS3533	2	<b>Plug</b> , exhaust manifold	
22	R020051	4	<b>Sensor</b> , Oxygen	
23	R020019	2	<b>Sensor</b> , Exhaust Manifold Water Temperature	
24	R024006A	2	<b>Fitting</b> , 90 degree	
25	R024239	6	<b>Fitting</b> , 1" hose	
26	R024240	1	<b>Fitting</b> , 1.25" hose	
27	RS3557	2	<b>Plug</b> , exhaust corner	
28	R143195	2	<b>Decal</b> , "Catanium", each exhaust manifold	
29	R143175	4	<b>Decal</b> , "HOT", each Oxygen Sensor	
30	RS3539	2	<b>Plug</b> , cooling system bleeder	

RAW WATER COOLING PUMP - FIGURE 19

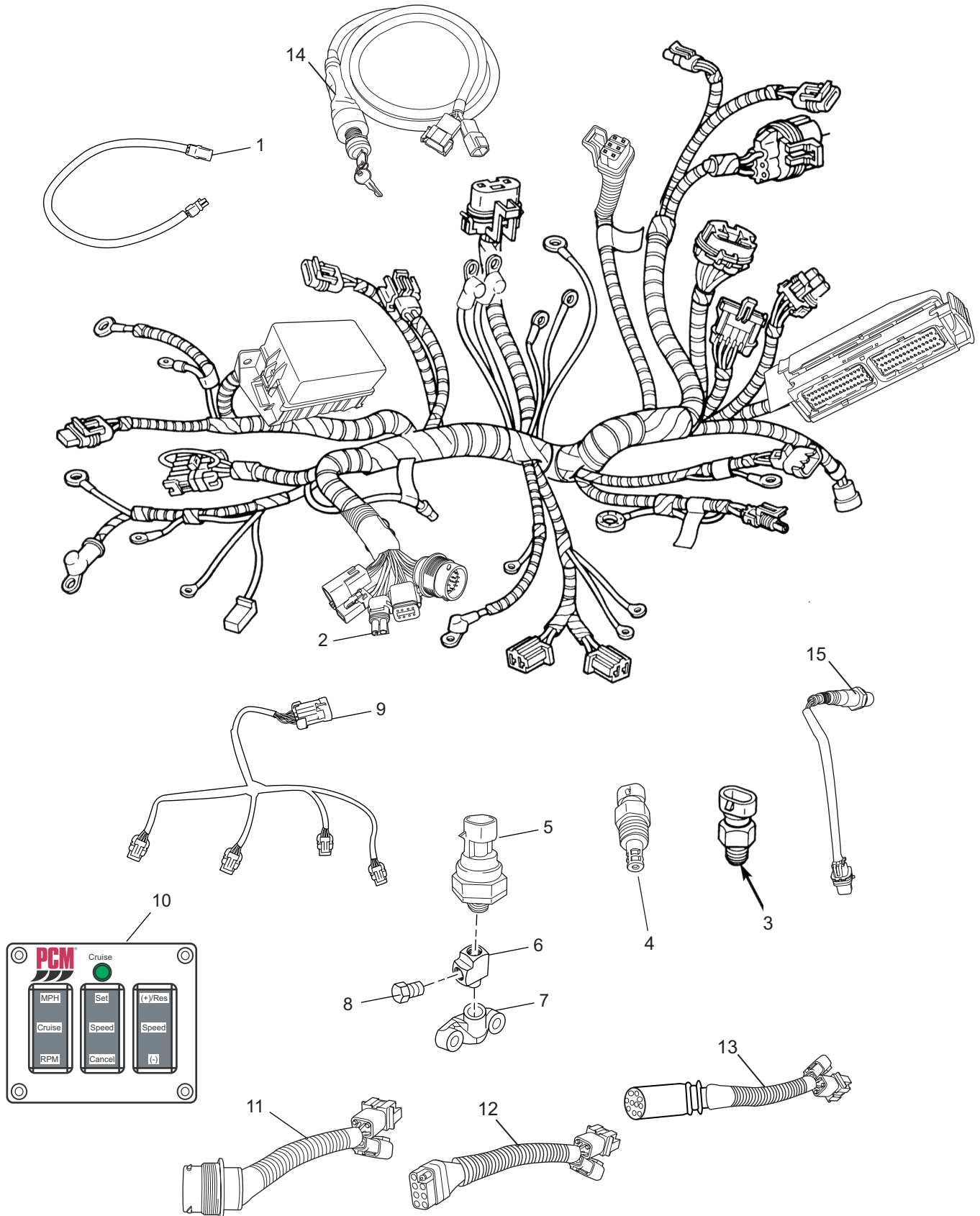


PC60P\_022  
05-23-07

## RAW WATER COOLING PUMP - FIGURE 19

ITEM	PART NO.	QTY.	DESCRIPTION	MODEL ID
1	98224020	3	<b>Bolt</b> , bearing housing attaching	
2	93924000	3	<b>Lockwasher</b> , bearing housing attaching bolt	
3	R047243	3	<b>O-ring</b> , bearing housing attaching bolt	
4	R047242	1	<b>O-ring</b> , bearing housing attaching	
5	RP061022	1	<b>Impeller Kit</b> (includes O-rings and impeller)	
6	R057032	1	<b>Housing</b> , raw water pump	
7	RA134071	1	<b>Bearing Housing Assembly</b>	
8	RA057032	1	<b>Raw Water Pump Assembly</b>	
9	R175056	1	<b>Bolt</b> , raw water pump cam	
10	R047254	1	<b>O-ring</b> , raw water pump cam	
11	R161018	1	<b>Cam</b> , raw water pump	
12	RS3554	1	<b>Plug</b> , brass 1/8 NPT	

WIRING HARNESS ASSEMBLIES and SENDERS - FIGURE 20

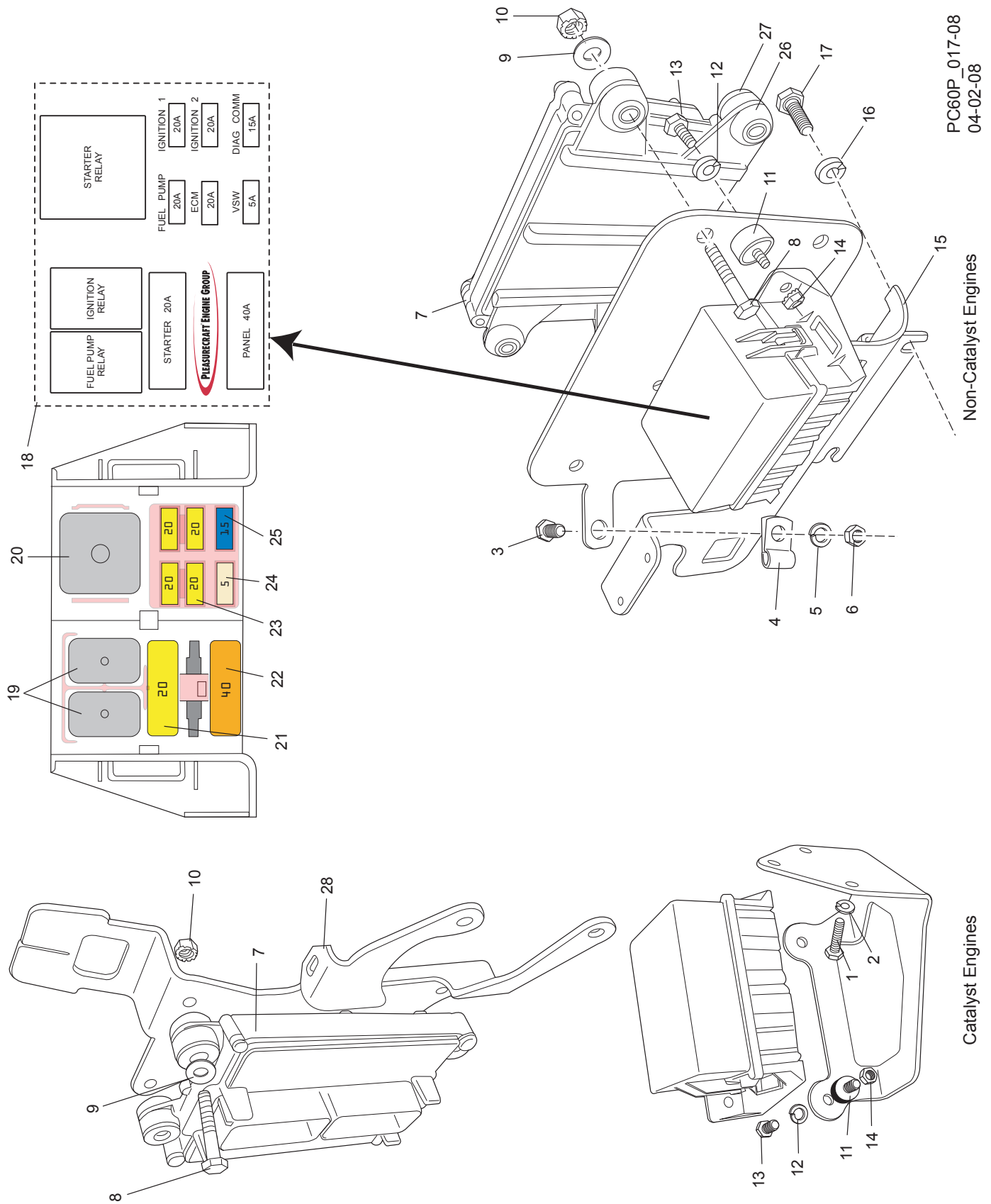


PC60P\_023\_08  
2-08-08

## WIRING HARNESS ASSEMBLIES and SENDERS - FIGURE 20

ITEM	PART NO.	QTY.	DESCRIPTION	MODEL ID
1	R121078	AR	<b>Harness</b> , FCC ("V" - Drive)	
2	RA121099	1	<b>Engine Wiring Harness Assembly</b>	xx-601X-xx
2	RA121099A	1	<b>Engine Wiring Harness Assembly (CES engines)</b>	xx-601XC-xx
2	RA121106	1	<b>Engine Wiring Harness Assembly SN 485697 and higher</b> w/Auto-Start	xx-601X-xx
2	RA121106A	1	<b>Engine Wiring Harness Assembly</b> w/Auto-Start (Used with LINC Display)	02-601X-xx
2	RA121107	1	<b>Engine Wiring Harness Assembly (CES engines) SN 485760</b> <b>and higher - w/Auto-Start</b>	xx-601XC-xx
2	RA121107A	1	<b>Engine Wiring Harness Assembly (CES engines)</b> w/Auto-Start (Used with LINC Display)	02-601X-xx
3	R020046	1	<b>Sensor</b> , engine coolant temperature (ECT)	
3	R020019	2	<b>Sensor</b> , engine coolant temperature (EMWT)	xx-601XC-xx
4	R020032	1	<b>Sensor</b> , inlet air	
5	R020049	1	<b>Sender</b> , oil pressure	
6	R024145	1	<b>Tee</b> , sender attaching	
7	R079071	1	<b>Adapter</b> , oil sending unit	
8	RS3554	1	<b>Plug</b> , oil pressure sensor tee	
9	R121101A	2	<b>Harness</b> , ignition coil	
10	RA152008	AR	<b>Panel</b> , switch (Speed Control)	
11	RA121098	AR	<b>Harness</b> , Adapter to 14-pin boat harness	
12	RA121094	AR	<b>Harness</b> , Adapter to 8-pin (female) boat harness	
NI	RA121094A	AR	<b>Harness</b> , Adapter to 8-pin (male) boat harness	
13	RA121093	AR	<b>Harness</b> , Adapter to 10-pin boat harness	
NI	RA121093A	AR	<b>Harness</b> , Adapter to 10-pin boat harness, w/VDO sensor leads	
NI	RA121091B	AR	<b>Harness</b> , Speed Control (14 foot)	
NI	RA121092	AR	<b>Harness</b> , Engine to Dash, Un-Terminated (25 foot)	
NI	RA121092C	AR	<b>Harness</b> , Engine to Dash, Un-Term., w/VDO sensor leads(25 ft)	
14	RT0091	AR	<b>Harness</b> , Test w/Key Switch	
15	R02051	4	<b>Sensor</b> , O2	xx-601XC-xx

ECM and RELAYS - FIGURE 21



PC60P\_017-08  
04-02-08

Non-Catalyst Engines

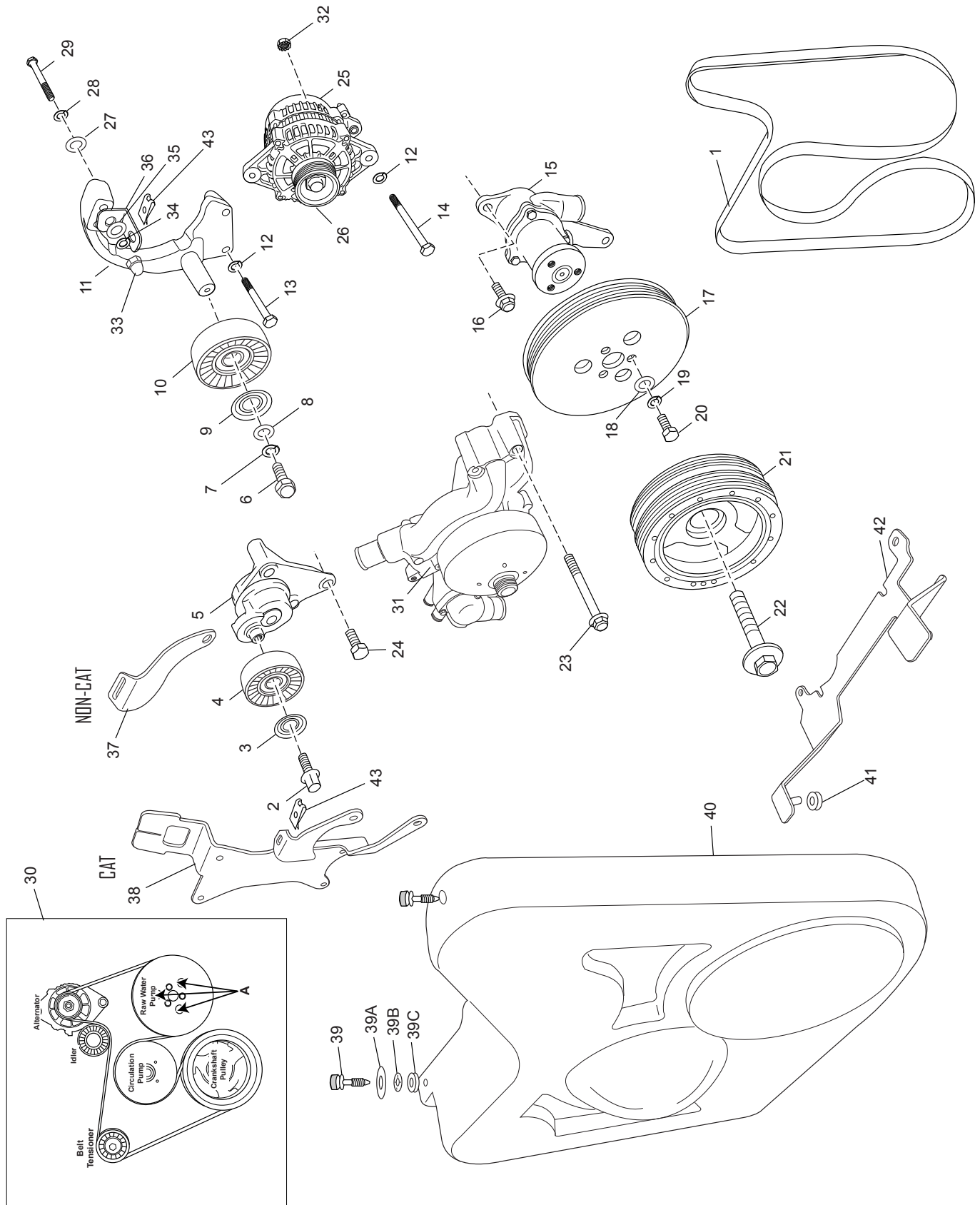
Catalyst Engines



## ECM and RELAYS - FIGURE 21

ITEM	PART NO.	QTY.	DESCRIPTION	MODEL ID
1	98334014	3	<b>Bolt</b> , fuse box bracket attaching	xx-601C-xx, xx-601VC-xx
2	93934000	3	<b>Lockwasher</b> , fuse box bracket attaching	xx-601C-xx, xx-601VC-xx
3	RS0302	1	<b>Bolt</b> , oil dipstick tube attaching	
4	R127015	1	<b>Clamp</b> , oil dipstick tube attaching	
5	RS2180	1	<b>Lockwasher</b> , oil dipstick tube attaching	
6	RS1028	1	<b>Nut</b> , oil dipstick tube attaching	
7	R116024 -	1	<b>Engine Control Module</b> Direct Drive	xx-601-xx
7	R116024 -	1	<b>Engine Control Module</b> V-Drive	xx-601V-xx
7	R116024 -	1	<b>Engine Control Module</b> Direct Drive -Auto-Start, <b>SN 485697 and higher</b>	xx-601-xx
7	R116024 -	1	<b>Engine Control Module</b> V-Drive - Auto-Start, <b>SN 485697 and higher</b>	xx-601V-xx
7	R116024 -	1	<b>Engine Control Module</b> Direct Drive	xx-601C-xx
7	R116024 -	1	<b>Engine Control Module</b> V-Drive	xx-601VC-xx
7	R116024 -	1	<b>Engine Control Module</b> Direct Drive - Auto-Start, <b>SN 485760 and higher</b>	xx-601C-xx
7	R116024 -	1	<b>Engine Control Module</b> V-Drive - Auto Start, <b>SN 485760 and higher</b>	xx-601VC-xx
8	98223035	4	<b>Bolt</b> , ECM attaching	
9	RS2672	4	<b>Flat washer</b> , ECM attaching	
10	97220060	4	<b>Nut</b> , KEPS, ECM attaching	
11	R094044	2	<b>Isolator</b> , fuse block mounting	
12	RS2178	2	<b>Lockwasher</b> , Isolator attaching	
13	RS0251	2	<b>Bolt</b> , Isolator attaching	
14	RS1078	2	<b>Nut</b> , KEPS, Fuse Block attaching	
15	R090279A	1	<b>Bracket</b> , ECM/Heat Exchanger mounting	
16	RS2180	2	<b>Lockwasher</b> , ECM bracket attaching bolt	
17	RS0304	2	<b>Bolt</b> , ECM bracket attaching	
18	TBD	1	<b>Decal</b> , main fuse box	
19	R130015	2	<b>Relay</b> , Fuel Pump and Ignition	
20	R130016	1	<b>Relay</b> , Starter	
21	R153019C	1	<b>Fuse</b> , Starter, 20 Amp	
22	R153019F	1	<b>Fuse</b> , Panel, 40 Amp	
23	R153017B	4	<b>Fuse</b> , 20 amp	
24	R153017A	1	<b>Fuse</b> , 15 amp	
25	R153017C	1	<b>Fuse</b> , 5 amp	
26	R094046	4	<b>Isolator</b> , ECM Mounting	
27	R176025	4	<b>Sleeve</b> , ECM Isolator Retaining	
28	R090362	1	<b>Bracket</b> , ECM mounting	xx-601C-xx, xx-601VC-xx

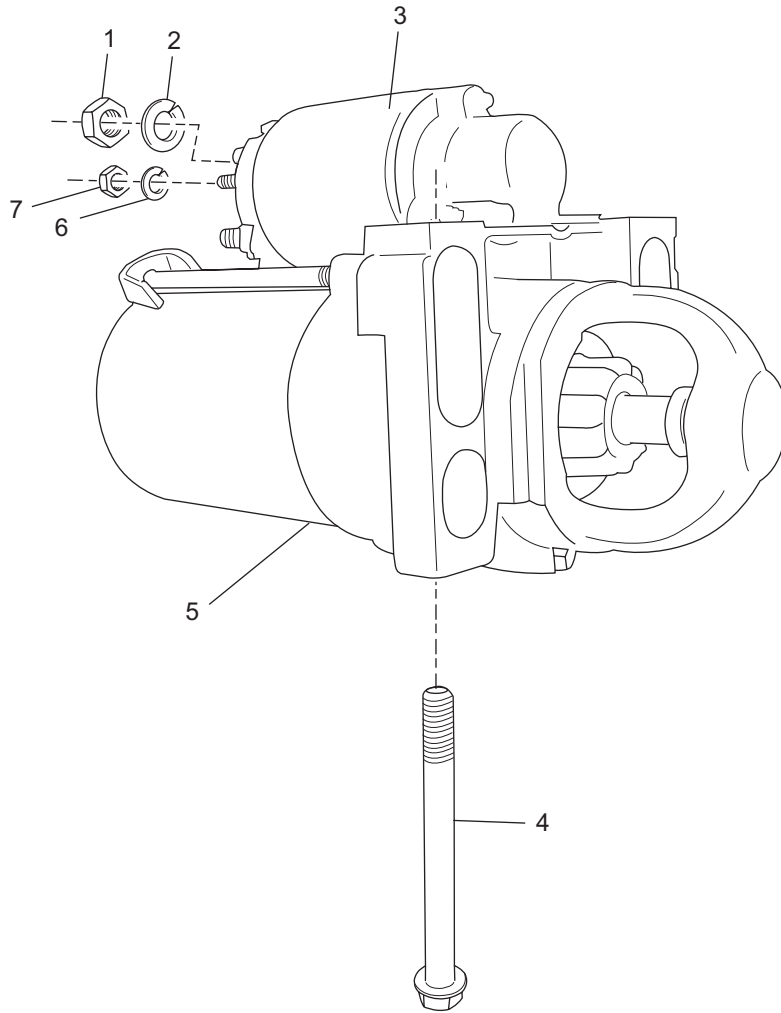
ACCESSORY DRIVE SYSTEM COMPONENTS - FIGURE 22



## ACCESSORY DRIVE SYSTEM COMPONENTS - FIGURE 22

ITEM	PART NO.	QTY.	DESCRIPTION	MODEL ID
1	R066033A	1	<b>Belt</b> , serpentine drive	
2	p/o item #5	1	<b>Bolt</b> , tensioner pulley attaching	
3	p/o item #5	1	<b>Washer</b> , tensioner pulley attaching bolt	
4	p/o item #5	1	<b>Pulley</b> , tensioner	
5	RA068002	1	<b>Tensioner</b> , belt	
6	98333025	1	<b>Bolt</b> , idler pulley attaching	
7	RS2179	1	<b>Lockwasher</b> , idler pulley attaching bolt	
8	92940000	1	<b>Washer</b> , idler pulley attaching bolt (small)	
9	R096145	1	<b>Washer</b> , formed, idler pulley attaching bolt (large)	
10	R065040	1	<b>Pulley</b> , idler	
11	R090269	1	<b>Bracket</b> , idler pulley mounting / alternator	
12	93940000	2	<b>Lockwasher</b> , idler pulley bracket attaching bolt	
13	98443110	1	<b>Bolt</b> , idler pulley bracket attaching	
14	98446070	1	<b>Bolt</b> , alternator mounting, lower	
15	RA057032	1	<b>Raw Water Pump Assembly</b>	
16	98442030	2	<b>Bolt</b> , raw water pump mounting	
17	R065050	1	<b>Pulley</b> , raw water pump	
18	92934000	3	<b>Flat Washer</b> , raw water pump pulley attaching	
19	93934000	3	<b>Lockwasher</b> , raw water pump pulley attaching bolt	
20	99335016	3	<b>Bolt</b> , raw water pump pulley attaching	
21	R064016	1	<b>Balancer</b> , crankshaft	
22	TBD	1	<b>Bolt</b> , crankshaft balancer	
23	TBD	4	<b>Bolt</b> , water circulation pump attaching	
24	TBD	3	<b>Bolt</b> , belt tensioner mounting	
25	RA097009	1	<b>Alternator Assembly, 100 Amp</b>	
NI	RF097009C	AR	<b>Retro Fit Kit, 70 to 100 Amp Alternator</b>	
26	TBD	1	<b>Pulley</b> , alternator (100 amp)	
27	92200000	1	<b>Flatwasher</b> , alternator mounting	
28	RS2179	1	<b>Lockwasher</b> , alternator mounting	
29	98339070	1	<b>Bolt</b> , alternator mounting, upper	
30	R143147	1	<b>Decal</b> , belt routing	
31	RK057036	1	<b>Water Circulation Pump Assembly</b>	
32	97330060	1	<b>Nut</b> , KEPS, Alternator Positive Post, 100A	
NI	R101016	1	<b>Wire</b> , Ground, alternator 100A	
NI	R153018D	1	<b>Wire</b> , Charge, 100A Fuse Link - alternator to starter	
33	97334030	1	<b>Nut</b> , belt guard bracket attaching	
34	93934000	1	<b>Lockwasher</b> , belt guard bracket attaching	
35	RS2179	1	<b>Washer</b> , flat, belt guard bracket attaching	
36	R090366	1	<b>Bracket</b> , belt guard, upper port	
37	R090340	1	<b>Bracket</b> , belt guard, upper starboard	
38	R090362	1	<b>Bracket</b> , ECM/Degas bolt/belt guard upper starboard	xx-601Cx-xx
NI	R062095	1	<b>Spacer</b> , used w/R090362 thru SN 485211	xx-601Cx-xx
39	R175058	2	<b>Screw</b> , belt guard retaining	
39A	92104200	2	<b>Washer</b> , 1/4" fender	
39B	R048118	2	<b>Washer</b> , belt guard retaining	
39C	R094048	2	<b>Grommet</b> , belt guard retaining	
40	R060078	3	<b>Cover</b> , Belt guard	
41	R094048	2	<b>Grommet</b> , belt guard retaining	
42	R090367	1	<b>Bracket</b> , front cover, lower	
43	R017084	2	<b>Nut</b> , Clip-on	

STARTER ASSEMBLY COMPONENTS - FIGURE 23



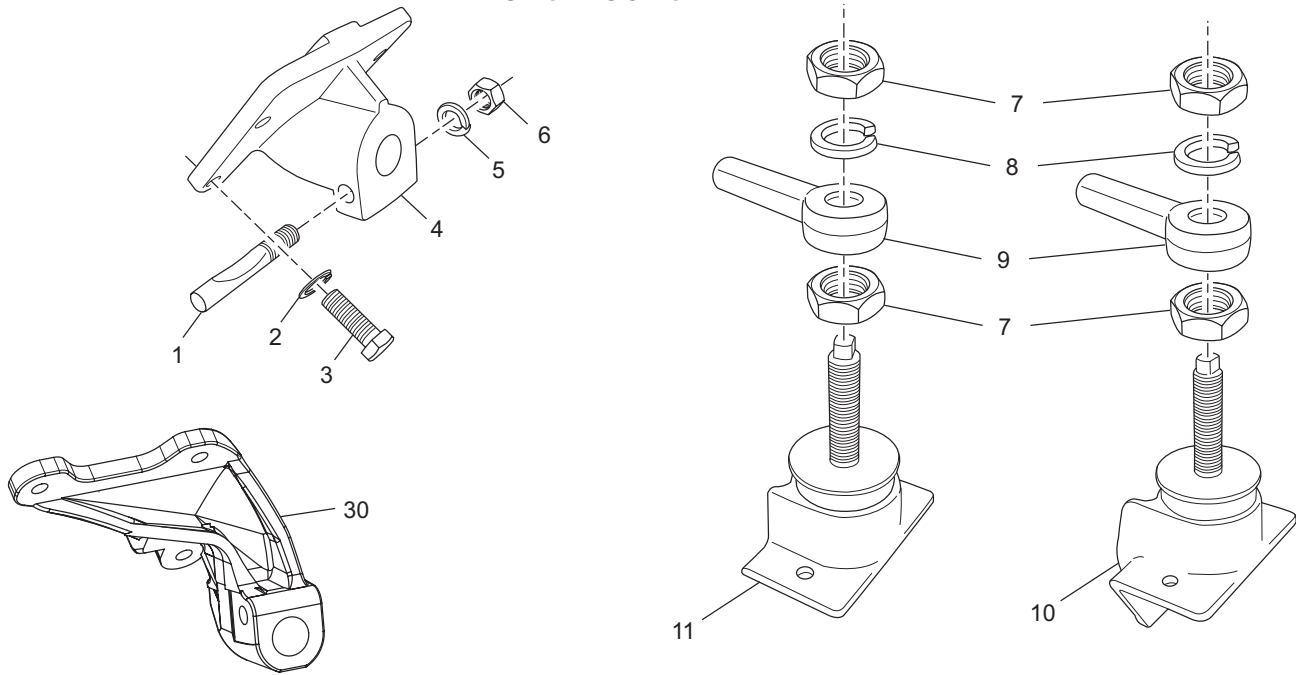
PC60P\_016  
11-8-02

## STARTER ASSEMBLY COMPONENTS - FIGURE 23

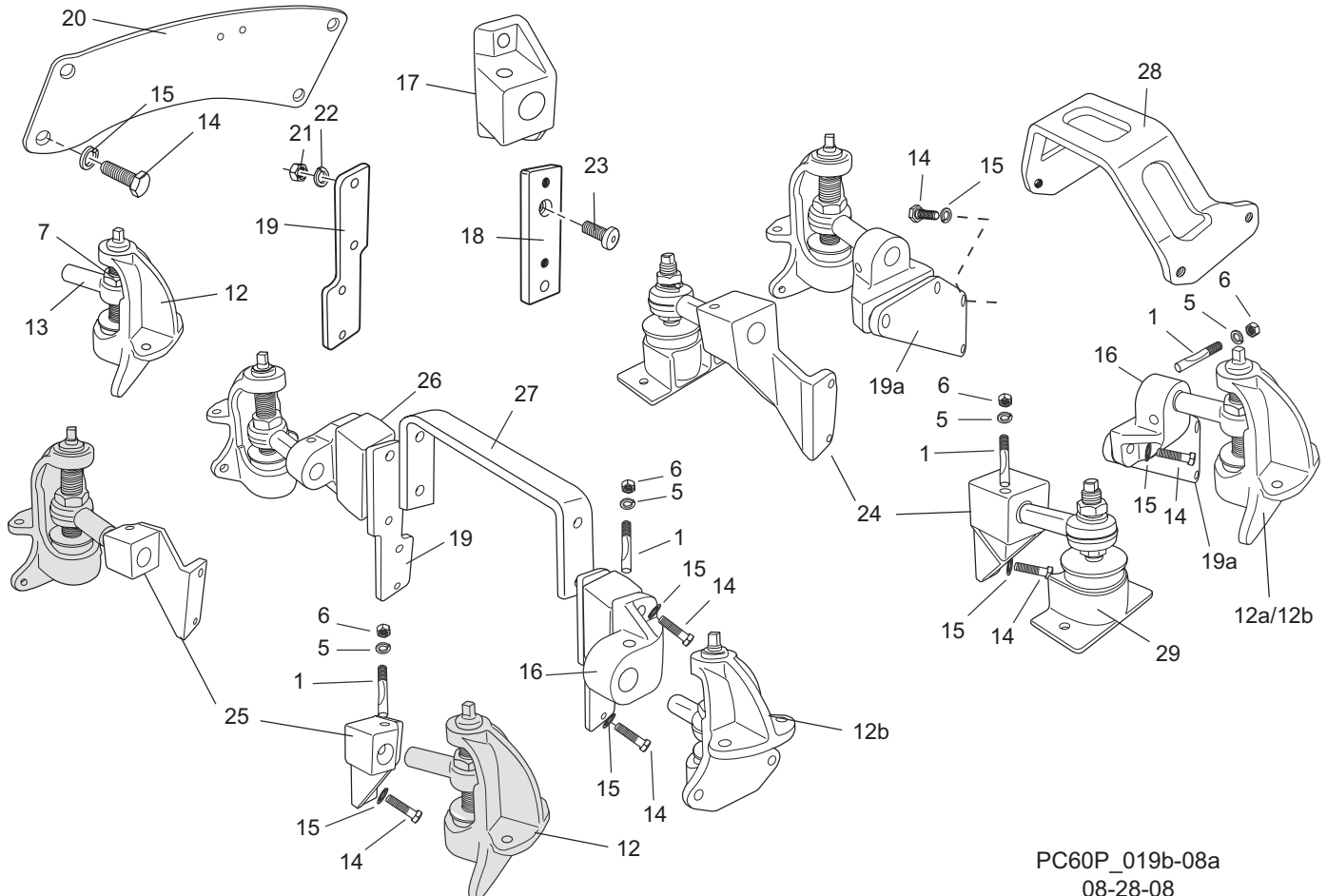
ITEM	PART NO.	QTY.	DESCRIPTION	MODEL ID
1	RS7019	1	<b>Nut</b> , solenoid terminal	1
2	RS2200	1	<b>Lockwasher</b> , solenoid terminal	1
3	RU0050A	1	<b>Solenoid</b> , starter	1
4	R009203	2	<b>Bolt</b> , starter mounting	2
5	RA122019	1	<b>Starter Motor Assembly</b>	1
6	93003000	2	<b>Lockwasher</b> , solenoid terminal	2
7	RS7036	2	<b>Nut</b> , solenoid terminal	2

ENGINE and TRANSMISSION MOUNTS - FIGURE 24

Engine Mount Group  
Front Mount



Engine Mount Group  
Rear Mount

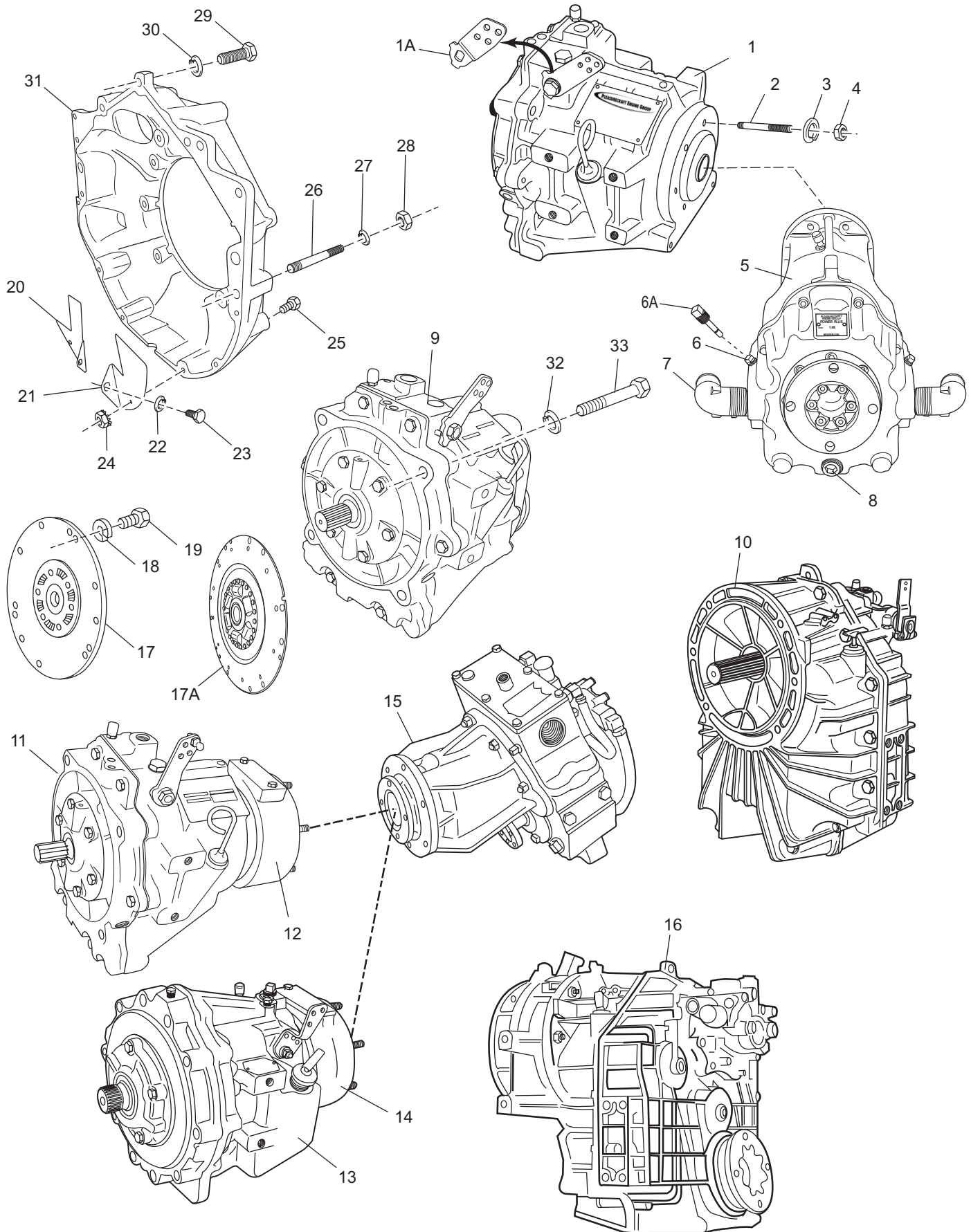


PC60P\_019b-08a  
08-28-08

## ENGINE and TRANSMISSION MOUNTS - FIGURE 24

ITEM	PART NO.	QTY.	DESCRIPTION	MODEL ID
1	R095020	2	<b>Bolt</b> , trunnion clamp	
2	93940000	8	<b>Lockwasher</b> , engine mount attaching bolt	
3	98443030	8	<b>Bolt</b> , engine mount attaching	
4	R090242	2	<b>Mount</b> , engine front	
5	RS2181	2	<b>Lockwasher</b> , trunnion clamp bolt	
6	RS1529	2	<b>Nut</b> , trunnion clamp bolt	
7	RS1075	4	<b>Nut</b> , adjustment and lock	
8	RS2186	2	<b>Lockwasher</b> , adjusting nut	
9	R091001	2	<b>Trunnion</b> , long	
9	R091007	2	<b>Trunnion</b> , short	
10	RC091001	1	<b>Trunnion Assembly</b>	
11	RA092016	1	<b>Trunnion Assembly</b>	
12	RA092011	2	<b>Trunnion Assembly</b> , tall (1.23:1 STD / V-drive) Used with item #17 - R090145 mount	04-6xxV-xx
12a	RA092011A	2	<b>Trunnion Assembly</b> , tall (1.23:1 STD / V-drive) Used with item #16 - R090205 mount	
12b	RA091003	2	<b>Trunnion Assembly</b> , short (1.0:1 STD) Used with item #17 - R090145 mount	04-6xxV-xx, 05-6xxV-xx
12c	RA091006	2	<b>Trunnion Assembly</b> , short (1.0:1 STD) Used with item #16 - R090205 mount	
13	R091003	2	<b>Trunnion</b> , 2.5" (use with R090145)	
13	R091006	2	<b>Trunnion</b> , 2.125" (use with R090205)	
14	RS0327	4	<b>Bolt</b> , rear mount attaching (R109054, R090318/318A-lower)	
14	RS0328	4	<b>Bolt</b> , rear mount attaching (R090145, R090350/351/354/355)	
14	RS0329	4	<b>Bolt</b> , rear mount attaching (R090205)	
14	RS0330	4	<b>Bolt</b> , rear mount attaching (R090318A, upper)	
14	RS0334	4	<b>Bolt</b> , rear mount attaching (R090318, upper)	
15	RS2181	4	<b>Lockwasher</b> , rear mount attaching bolt	
16	R090205	1	<b>Mount</b> , rear	
17	R090145	1	<b>Mount</b> , rear	
NI	R090343	1	<b>Mount</b> , rear, port	15-6xxV-02
NI	R090344	1	<b>Mount</b> , rear, starboard	15-6xxV-02
NI	97905	2	<b>Mount</b> , engine support (dual rear)	03-6xxV-01, 03-6xxV-02
NI	93940000	6	<b>Lockwasher</b> , engine mount attaching bolt (item #18)	
NI	98443030	4	<b>Bolt</b> , engine mount attaching, upper (item #18)	
NI	98449055	2	<b>Bolt</b> , engine mount attaching, lower (item #18)	
18	R169062	AR	<b>Shim</b> , Mount, rear	03-6xx-01
NI	R169063	AR	<b>Spacer</b> , Mount, rear, 2"	04-6xxV-03
19	R090318	2	<b>Mount</b> , PCM V-DRV (use with RA092016, item 11)	
20	R109054	2	<b>Plate</b> , brace, PCM V-DRV used when there is no mount	15-6xxV-02
21	RS1029	4	<b>Nut</b> , rear mount attaching (R090318)	
22	RS2181	4	<b>Lockwasher</b> , rear mount attaching (R090318)	
23	90465100	2	<b>Bolt</b> , shim mount attaching (R169062)	
24	R090354	1	<b>Mount</b> , rear, transmission, PCM V-DRV, port	
24	R090355	1	<b>Mount</b> , rear, transmission, PCM V-DRV, starboard	
25	R090350	1	<b>Mount</b> , rear, transmission, PCM V-DRV, port	04-6xxV-xx
25	R090351	1	<b>Mount</b> , rear, transmission, PCM V-DRV, starboard	04-6xxV-xx
26	R169063	2	<b>Spacer</b> , Mount, rear, 2"	04-6xxV-xx
27	R090371	1	<b>Bracket</b> , PCM VDRV mount support	04-6xxV-xx, 10-5xxV-xx
28	R090370	1	<b>Bracket</b> , PCM VDRV mount support	
29	RA092016	2	<b>Trunnion Assembly, with R091001 trunnion</b>	
30	R090293	1	<b>Mount</b> , engine front (port) 1.23:1	
30	R090294	1	<b>Mount</b> , engine front (starboard) 1.23:1	
30	R090302	1	<b>Mount</b> , engine front (port) 1.0:1	
30	R090303	1	<b>Mount</b> , engine front (starboard) 1.0:1	

BELL HOUSING ASSEMBLY - FIGURE 25



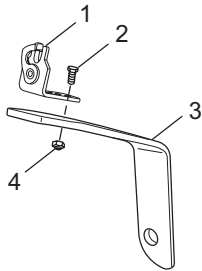


## BELL HOUSING ASSEMBLY - FIGURE 25

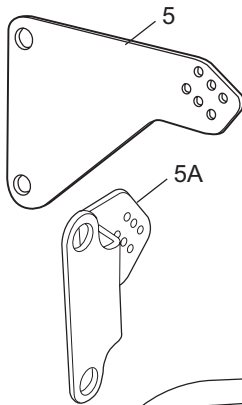
ITEM	PART NO.	QTY.	DESCRIPTION	MODEL ID	
1	RA157015	AR	<b>Transmission Assembly</b> , IRM40S, PCM to PCM V-DRV	XX-5XXV-XX	
1A	R166020	AR	<b>Bracket</b> , Shift Cable, IRM40S		
2	R031035	8	<b>Stud</b> , PCM V-DRV to transmission attaching		
3	RS2179	8	<b>Lockwasher</b> , PCM V-DRV to transmission attaching		
4	RS7026	8	<b>Nut</b> , PCM V-DRV to transmission attaching		
5	RA156011B	AR	<b>PCM Power-Plus V-Drive Assembly</b> , 1.48:1		
NI	R190250	AR	<b>Gear Lube</b> , synthetic SAE 50, PCM V-DRV		
6	R041091	2	<b>Plug</b> , brass, oil fill/drain, PCM V-DRV		
6A	R041091	2	<b>Dipstick</b> , oil fill/drain, PCM V-DRV		
7	97854	2	<b>Fitting</b> , brass elbow 90°, PCM V-DRV		
8	RS3633	1	<b>Plug</b> , brass, raw water drain, 1/2" square socket		
9	RA157017	AR	<b>Transmission Assembly</b> , IRM40A, 1.23:1 PCM		03-601V-01
10	RA156009	AR	<b>Transmission Assembly</b> , 630V, HURTH, 1.29:1		
10	RA156009A	AR	<b>Transmission Assembly</b> , 630V, HURTH, 1.5:1		03-601V-02, 04-601V-01
11	RA157016	AR	<b>Transmission Assembly</b> , IRM40I, 1.0:1 PCM	04-601V-02	
12	R079056	AR	<b>Adapter</b> , V-Drive, PCM to Walter		
NI	RM0293	AR	<b>Gasket</b> , V-Drive, PCM to Walter		
13	RA157001	AR	<b>Transmission Assembly</b> , 1.0:1 Warner (71C)		
13	RA157003	AR	<b>Transmission Assembly</b> , 1.0:1 Warner (72C)		
13	RA157001A	AR	<b>Transmission Assembly</b> , (71C w/v-drive adapter))		
14	R079072	AR	<b>Adapter</b> , V-Drive, Warner to Walter		
15	RA156004	AR	<b>V-Drive Assembly</b> , Walters, 1.46:1		
16	RA156010	AR	<b>Transmission Assembly</b> , 90VTS, ZF 2-speed		
NI	RK104013	AR	<b>Connector Kit</b> , ZF 2-speed		
17	98511	1	<b>Plate</b> , damper (Warner Transmissions, 6.0/8.1L)		
17	R140016	1	<b>Plate</b> , damper (PCM Transmissions) Direct Drive Applications		
17A	R140016A	1	<b>Plate</b> , damper (PCM Transmissions) Vee Drive Applications		
17	R140018	1	<b>Plate</b> , damper (Hurth Transmission/2-speed)		
18	93940000	4	<b>Lockwasher</b> , damper plate attaching bolt		
19	98446030	4	<b>Bolt</b> , damper plate attaching		
20	R019011A	1	<b>Cover</b> , dust, (stbd) (use w/top mount starter)		
20	R019011	1	<b>Cover</b> , dust (stbd) (use w/bottom mount starter)		
21	R019012	1	<b>Cover</b> , dust (port)		
22	93920000	2	<b>Lockwasher</b> , dust cover attaching		
23	RS6503	2	<b>Bolt</b> , dust cover attaching		
24	RS1078	2	<b>Nut</b> , dust cover attaching		
25	RS0256	2	<b>Bolt</b> , dust cover attaching		
26	R031034	2	<b>Stud</b> , bellhousing attaching		
27	93940000	2	<b>Lockwasher</b> , bellhousing attaching		
28	97440000	2	<b>Nut</b> , bellhousing attaching		
29	98443050	3	<b>Bolt</b> , bellhousing attaching		
30	93940000	3	<b>Lockwasher</b> , bellhousing attaching		
31	R142014	1	<b>Bellhousing</b> , top or bottom mount starter		
31	R142006B	1	<b>Bellhousing</b> , bottom mount starter, only		
NI	R019010	1	<b>Cover</b> , dust, top mount starter (used w/R019008A)		
NI	RS0327	2	<b>Bolt</b> , dust cover attaching		
NI	RS2181	2	<b>Lockwasher</b> , dust cover attaching		
			<b>** PCM **</b>		
32	RS2180	4	<b>Lockwasher</b> , transmission attaching bolt		
33	RS0329	4	<b>Bolt</b> , transmission attaching		
			<b>**Velvet Drive **</b>		
NI	96541	2	<b>Stud</b> , transmission mounting (4")		
NI	RS2181	6	<b>Lockwasher</b> , transmission mounting		
NI	RS1029	2	<b>Nut</b> , transmission mounting stud		
NI	RS0337	4	<b>Bolt</b> , transmission mounting		
			<b>**Hurth Gears**</b>		
NI	R031018	2	<b>Stud</b> , transmission mounting (1 5/8")		
NI	RS2181	6	<b>Lockwasher</b> , transmission mounting		
NI	RS1029	2	<b>Nut</b> , transmission mounting stud		
NI	RS0329	4	<b>Bolt</b> , transmission mounting		

TRANSMISSION AND RELATED COMPONENTS (STANDARD DRIVE) - FIGURE 26

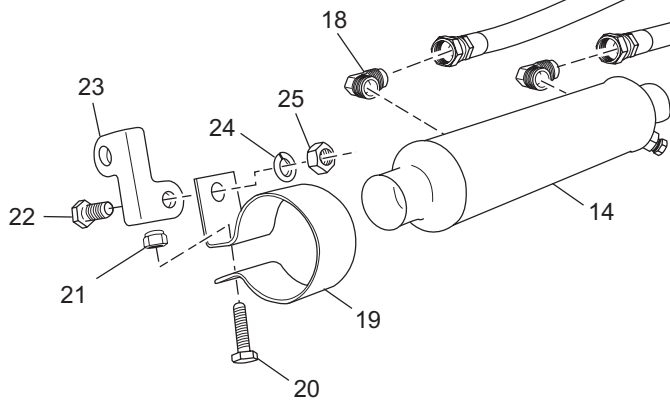
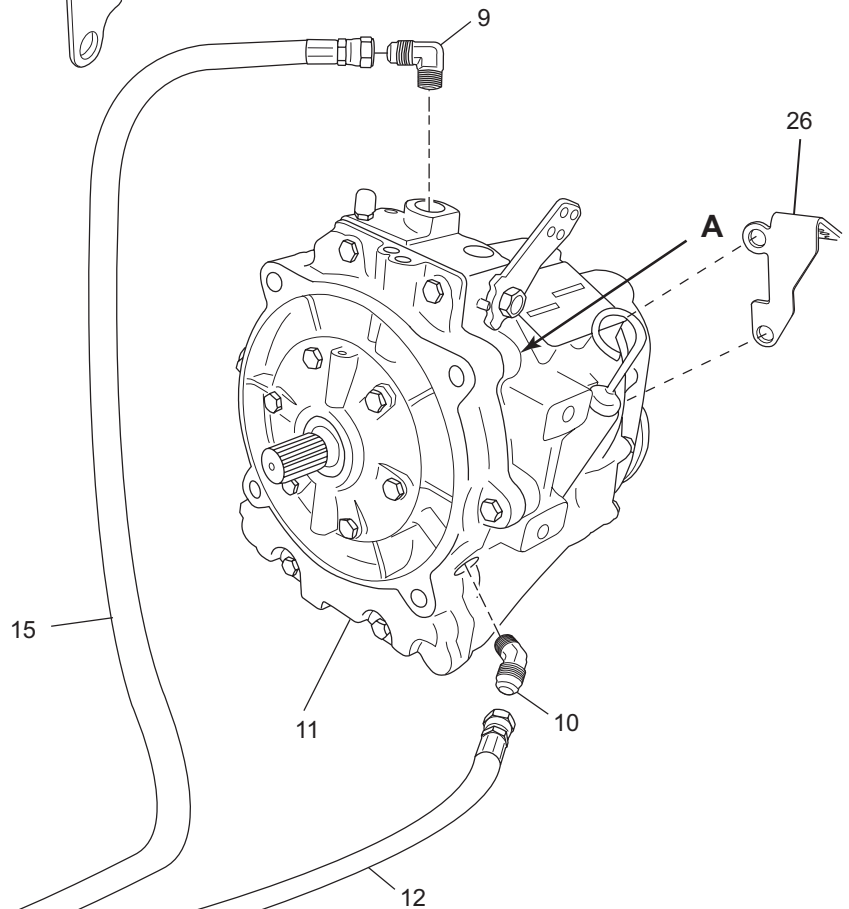
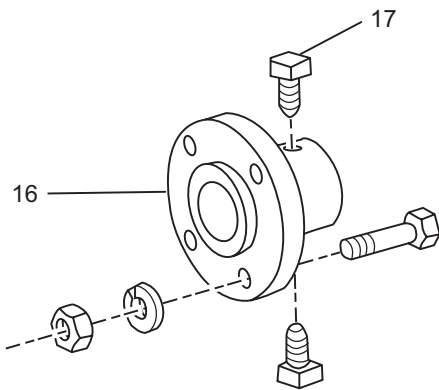
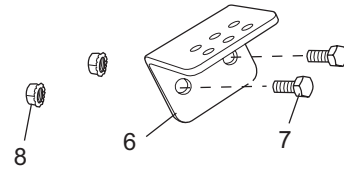
**A - FRONT MOUNT  
SHIFT BRACKET**



**PCM V-DRV SHIFT  
BRACKET**



**Used w/R109054**

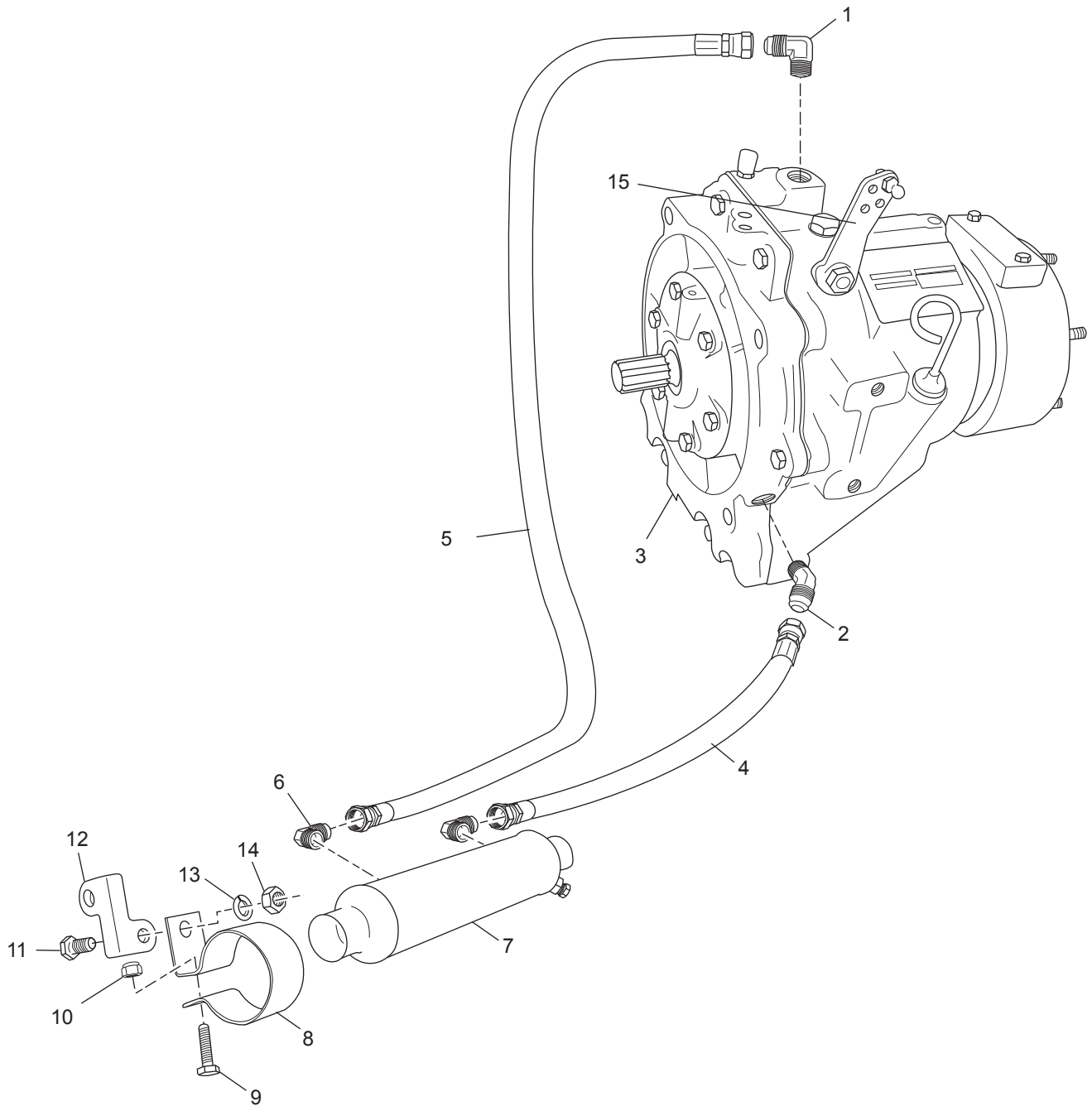


PC60P\_018\_08  
04-03-08

## TRANSMISSION AND RELATED COMPONENTS (STANDARD DRIVE) - FIGURE 26

ITEM	PART NO.	QTY.	DESCRIPTION	MODEL ID
1	R090086	1	<b>Cable Clip</b> , single cable	
2	RS5122	2	<b>Bolt</b> , cable clip attaching	
3	R090143A	1	<b>Bracket</b> , shift	
4	RS2055	2	<b>Nut</b> , cable clip attaching bolt	
5	R090319	1	<b>Bracket</b> , shift (PCM V-DRV)	
5A	R090319A	1	<b>Bracket</b> , shift (PCM V-DRV) SN 474384 and higher	
6	R090348	1	<b>Bracket</b> , shift (PCM V-DRV, attaches to R109054)	
7	RS5124	2	<b>Bolt</b> , bracket attaching	
8	RS1078	2	<b>Nut</b> , KEPS, bracket attaching bolt	
9	R024010	1	<b>Fitting</b> , 90 degree	
10	R024053	1	<b>Fitting</b> , 45 degree	
11	RA157017	1	<b>Transmission</b> , 1.23:1	
11	RA157016	AR	<b>Transmission</b> , 1.0:1	
12	RA045007S	1	<b>Hose Assembly</b> , cooler to transmission	
13	R024010	2	<b>Fitting</b> , 90 degree	
14	R147014	1	<b>Transmission Cooler Assembly</b>	
15	RA045007T	1	<b>Hose Assembly</b> , transmission to cooler	
16	R148010	OPT	<b>Coupler</b> , prop shaft (4" X 1" shaft)	
16	R148011	OPT	<b>Coupler</b> , prop shaft (4" X 1 1/8" shaft)	
17	2000090	2	<b>Screw</b> , set - coupler	
18	R024010	2	<b>Fitting</b> , 90 degree	
19	R090010	1	<b>Clamp</b> , cooler assembly mounting	
20	RS0256	1	<b>Bolt</b> , cooler attaching	
21	RS1078	1	<b>Nut</b> , cooler attaching	
22	RS0302	1	<b>Bolt</b> , cooler clamp attaching	
23	R090013A	1	<b>Bracket</b> , cooler mounting	
24	RS2180	1	<b>Lockwasher</b> , cooler clamp attaching bolt	
25	RS1028	1	<b>Nut</b> , oil cooler clamp attaching bolt	
26	R090352	1	<b>Bracket</b> , shift, rear entry	

TRANSMISSION AND RELATED COMPONENTS (1.0:1 "V" - DRIVE) - FIGURE 27



PCB57036\_06a-08

## TRANSMISSION AND RELATED COMPONENTS (1.0:1 "V" - DRIVE) - FIGURE 27

ITEM	PART NO.	QTY.	DESCRIPTION	MODEL ID
1	R024010	1	<b>Fitting</b> , 90 degree	
2	R024010	1	<b>Fitting</b> , 90 degree	
3	RA157016	1	<b>Transmission</b> , 1.0:1, (w/R079056 Adapter)	
4	RA045007S	1	<b>Hose Assembly</b> , cooler to transmission	
5	RA045007T	1	<b>Hose Assembly</b> , transmission to cooler	
6	R024010	2	<b>Fitting</b> , 90 degree	
7	R147014	1	<b>Cooler Assembly</b> , transmission	
8	R090010	1	<b>Clamp</b> , cooler assembly mounting	
9	RS0254	1	<b>Bolt</b> , cooler attaching	
10	RS1078	1	<b>Nut</b> , cooler attaching	
11	RS0302	1	<b>Bolt</b> , cooler clamp attaching	
12	R090013A	1	<b>Bracket</b> , cooler mounting	
13	RS2180	1	<b>Lockwasher</b> , cooler clamp attaching bolt	
14	RS1028	1	<b>Nut</b> , oil cooler clamp attaching bolt	
15	R166020	1	<b>Shift Bracket Arm</b>	