



MARINE

ILLUSTRATED

PARTS MANUAL

MODEL 5.7L Carburetor

Classic Series

2006 - 2007 MY

This Page Was
Intentially
Left Blank

Contents:

Symbols	2
Maintenance Item Part Numbers	3
Cylinder Block Assembly - Figure 1	4
Oil Pan and Oil Pump Assembly - Figure 2	8
Cylinder Head Assembly - Figure 3	10
Intake Manifold Assembly - Figure 4	12
Carburetor Assembly - Figure 5	14
Fuel Pump and Fuel System - Figure 6	16
Optional - Fuel / Water Separator Components - Figure 7	18
Remote Oil Filter Components - Figure 8	20
Ignition Components - Figure 9	22
Starter Assembly Components - Figure 10	24
Wiring Harness Assemblies and Senders - Figure 11	26
Exhaust Manifold and Components - Figure 12	28
Accessory Drive System Components (Serpentine - LH) - Figure 13	30
Accessory Drive System Components (Serpentine - RH) - Figure 14	32
Raw Water Cooling Pump (Serpentine) - Figure 15	36
Fresh Water Cooling System Components - Figure 16	38
Heat Exchanger and Components - Figure 17	40
Engine and Transmission Mounts - Figure 18	42
Bellhousing Assembly - Figure 19	44
Transmission and Related Parts (Velvet Drive In-Line) - Figure 20	46
Transmission and Related Parts (Velvet Drive "V"-Drive) - Figure 21	48
Transmission and Related Parts ('04) (Velvet Drive 5000) - Figure 22	50
Transmission and Related Parts ('04) (Hurth Gear) - Figure 23	52
Right Hand Rotation Engine Components - Figure 24	56

"TYPICAL VIEWS ARE SHOWN"**ENGINE ROTATION**

Engine Rotation is identified as "RH" or "LH" with the engine model number. Rotation always is determined from the flywheel end looking toward the front of the engine. In some instances, propeller shaft rotation may be opposite to that of the engine.

When ordering a replacement engine, production block or parts for the engine, be certain to check engine rotation. **DO NOT rely on propeller rotation in order to determine engine rotation.**

LEFT-HAND ROTATION is STANDARD ROTATION.

(Flywheel turns counterclockwise when viewed from flywheel end of the engine.)

RIGHT-HAND ROTATION is OPPOSITE ROTATION.

(Flywheel turns clockwise when viewed from flywheel end of the engine.)

HOW TO READ THIS PARTS BOOK:

ITEM	PART NO.	QTY.	DESCRIPTION	MODEL ID
1	RB001005I	1	Base Engine Assembly, 5.7L	

①

②

③

④

⑤

- ① ITEM NUMBER - This number corresponds with the number in the exploded view on the facing page.
- ② PART NUMBER - This is the designated part number for the particular component or assembly.
- ③ QUANTITY - This refers to the number of pieces used.
- ④ DESCRIPTION - This identifies what the component or assembly is.
- ⑤ MODEL ID - This identifies a component or assembly that is unique to a specific engine model.

Symbols shown throughout parts list are defined here or on the bottom of the individual parts list page.

- AR = As Required
- OPT = Optional
- NSS = Not Serviced Separately
- NA = Not Available
- OS = Oversize
- US = Undersize
- NS = Not Shown
- TBD = To Be Determined
- NI = Not Illustrated

REPLACEMENT PARTS:



WARNING:

Electrical, ignition and fuel system components on Crusader Engines are designed and manufactured to comply with U.S. Coast Guard rules and regulations to minimize risks of fire or explosion.

Use of replacement electrical, ignition and fuel system components which do not comply with these rules and regulations could result in a fire or explosion hazard and should be avoided.

=====

MAINTENANCE ITEM PART NUMBERS:

Description	Part Number
Oil Filter	22679
Kit, Transmission Oil Filter (ZF)	RP077011
Kit, Fuel / Water Separator	RK080033
Spark Plugs	RP030010
Serpentine Drive Belt (LH)	R066028
Serpentine Drive Belt (RH)	R066029
Impeller Kit (Serpentine Raw Water Pump)	RP061022
Thermostat (Fresh Water Cooling)	R026007

=====

CHANGE NOTICE:

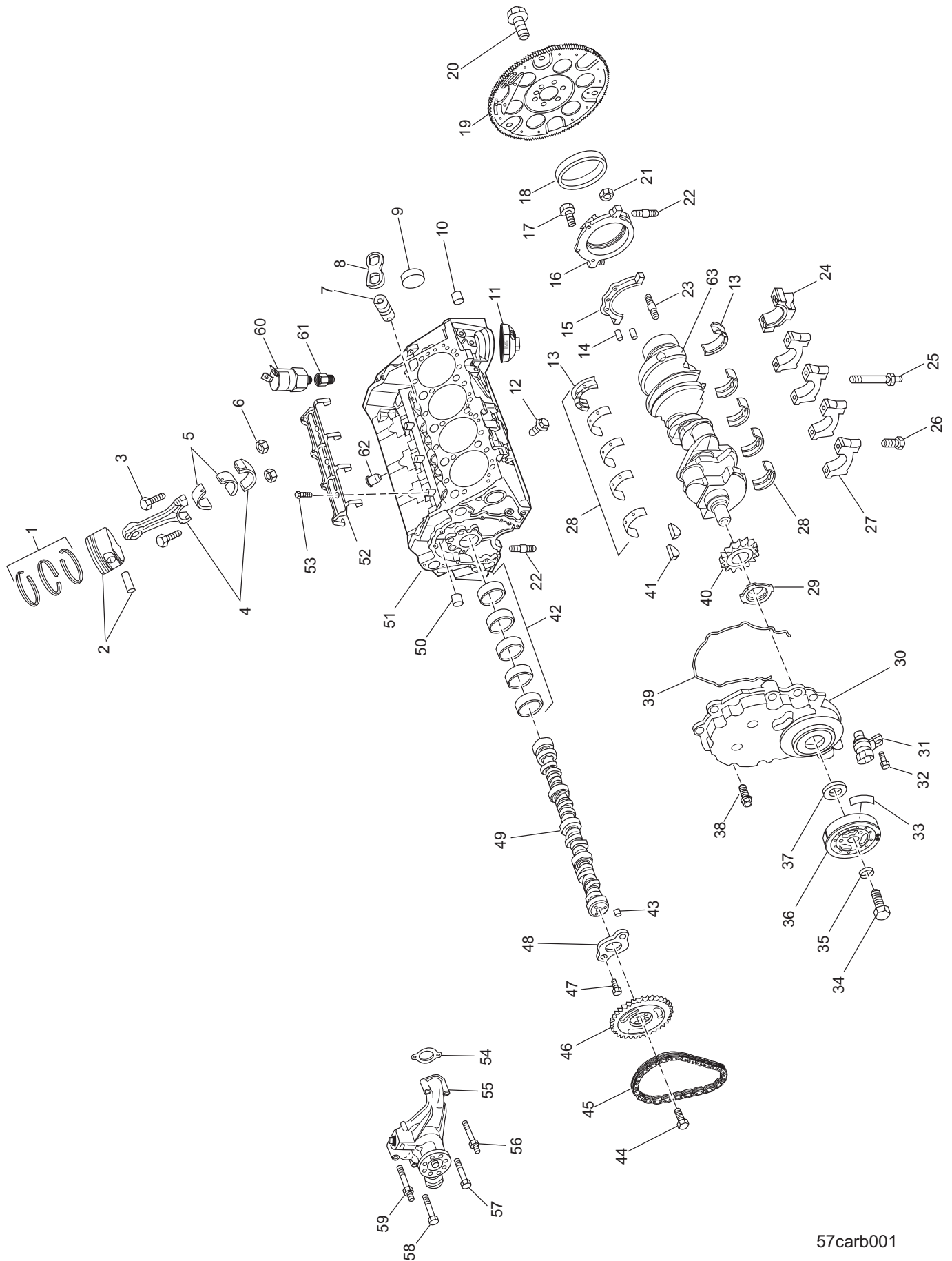
Change Pages	Date Updated
revised	01/07
36-37, 45	06/07

MARINE TRANSMISSIONS:

Crusader Engines are equipped with Velvet Drive or Hurth Transmissions, or "V"-drives. If transmission parts are required, contact your dealer or closest Crusader Parts Distributor for required parts.

Parts manuals and overhaul manuals are available through Crusader Distributors.

CYLINDER BLOCK ASSEMBLY - FIGURE 1

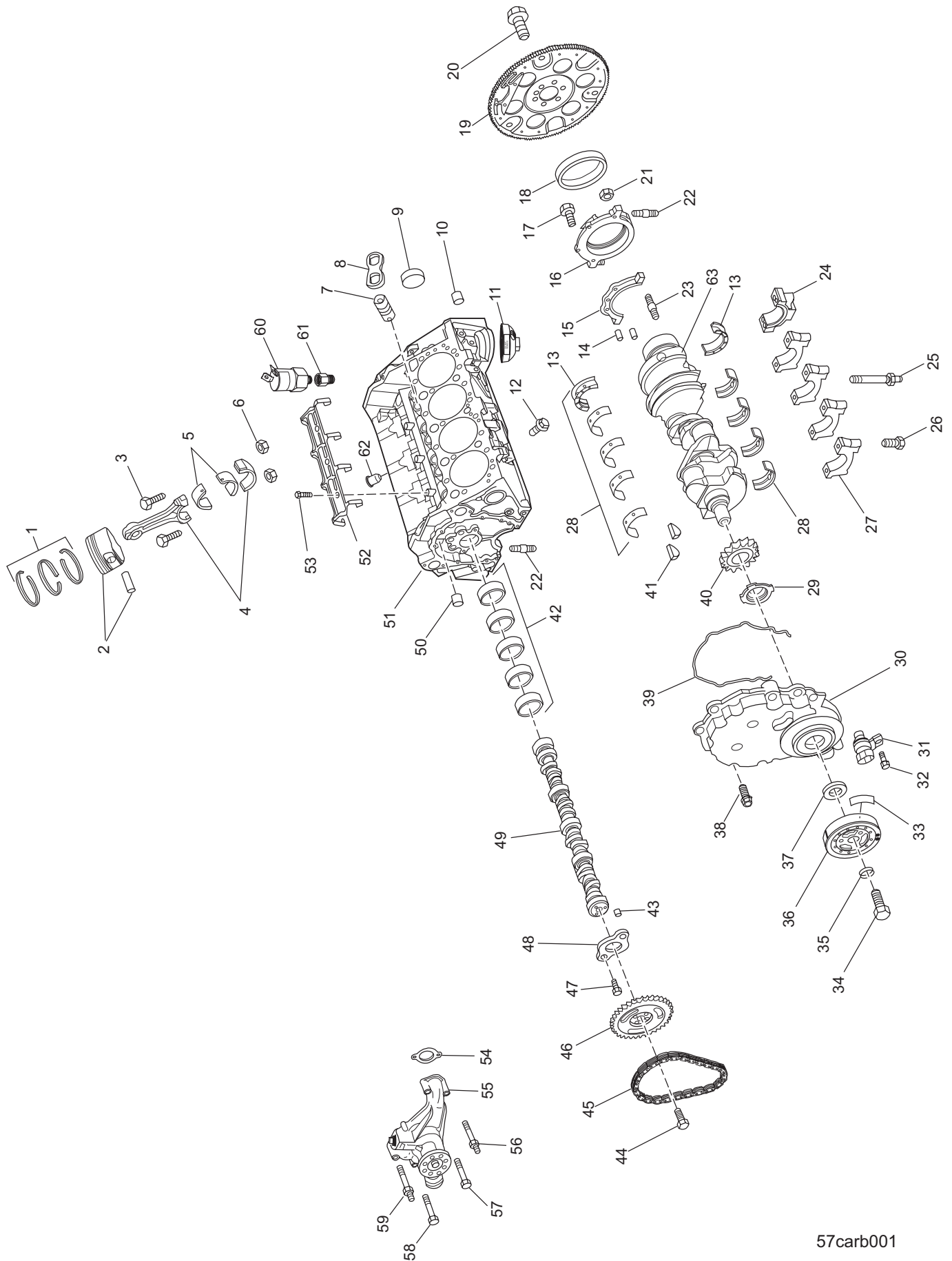


57carb001

CYLINDER BLOCK ASSEMBLY - FIGURE 1

ITEM	PART NO.	QTY.	DESCRIPTION	MODEL ID
*	RB001005H		Base Engine Assembly (LH)	
*	RB001005A		Base Engine Assembly (RH)	
1	R015013	8	Ring Set , piston (STD)	
2	RA013016	8	Piston , (STD)	
3	7080280	16	Bolt , connecting rod cap	
4	RA011012	8	Connecting Rod (STD)	
5	R007023	8	Bearing Set , connecting rod (STD)	
6	7080050	16	Nut , connecting rod cap	
7	R035038	16	Lifter , roller, valve	
8	R037001	8	Guide , valve lifter	
9	R069064	1	Plug , camshaft	
10	33089	3	Plug , oil gallery	
11	R079051	1	Adapter , oil bypass 5.7L	
12	RS3552	2	Plug , engine block coolant drain hole	
13	7050680	1	Bearing , crankshaft rear main (STD)	
13	7057200	AR	Bearing , crankshaft rear main (.001 US)	
13	7057220	AR	Bearing , crankshaft rear main (.010 US)	
13	7057230	AR	Bearing , crankshaft rear main (.020 US)	
14	7070340	1	Pin , crankshaft rear oil seal housing alignment	
15	7070370	1	Gasket , crankshaft rear oil seal housing	
16	R134070	1	Housing , crankshaft rear oil seal	
17	7057250	2	Bolt , crankshaft rear oil seal housing, short	
17	7057260	1	Bolt , crankshaft rear oil seal housing, long	
18	R047173A	1	Seal , crankshaft rear oil (LH)	
18	R047175	1	Seal , crankshaft rear oil (RH)	
19	RA138008	1	Flywheel Assembly (Top Mount Starter)	
19	RA138010	AR	Flywheel Assembly (Bottom Mount Starter)	
20	7070480	6	Bolt , flywheel attaching	
21	7057270	2	Nut , crankshaft rear oil seal housing	
22	TBD	4	Stud , crankshaft rear oil seal housing	
23	7050700	2	Stud , crankshaft rear oil seal housing	
24	NSS	1	Cap , crankshaft bearing #5	
25	7050870	5	Stud , crankshaft bearing cap	
26	7050690	5	Bolt , crankshaft bearing cap	
27	NSS	4	Cap , crankshaft bearing #1 - #4	
28	RK007020	1	Bearing Set , crankshaft main (STD)	
28	7050670	4	Bearing , crankshaft main (STD)	
28	7057170	AR	Bearing , crankshaft main (.002 US)	
28	7057180	AR	Bearing , crankshaft main (.010 US)	
28	7057190	AR	Bearing , crankshaft main (.020 US)	
29	R056001	1	Ring , crankshaft position sensor reductor (LH)	
29	R056001A	1	Ring , crankshaft position sensor reductor (RH)	

CYLINDER BLOCK ASSEMBLY - FIGURE 1 (cont'd)

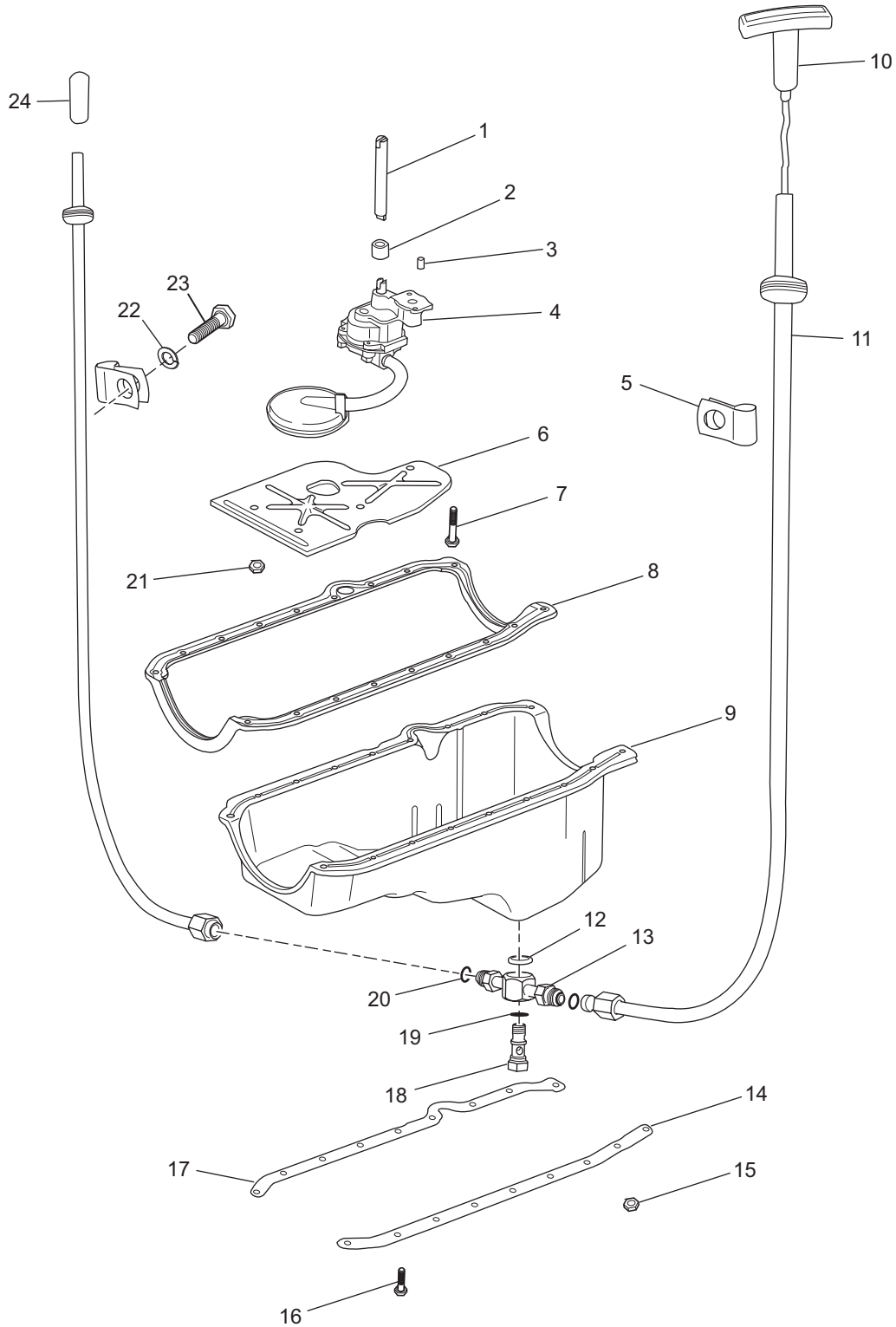


57carb001

CYLINDER BLOCK ASSEMBLY - FIGURE 1 (cont'd)

ITEM	PART NO.	QTY.	DESCRIPTION	MODEL ID
30	R004010A	1	Cover , engine front cover (includes gasket and seal)	
31	R020038	1	Sensor , crankshaft position	
32	TBD	1	Bolt , crankshaft position sensor attaching	
33	R143151	1	Decal , ignition timing	
34	R009091	1	Bolt , crankshaft balancer	
35	R096074	1	Washer , crankshaft balancer bolt	
36	R064010A	1	Balancer , crankshaft - '02 and newer	
37	NSS	1	Seal , crankshaft front oil	
38	R009177	6	Bolt , engine front cover attaching, short	
38	R009176	2	Bolt , engine front cover attaching, long	
39	NSS	1	Gasket , engine front cover	
40	R054024	1	Sprocket , crankshaft	
41	R164024	2	Key , crankshaft balancer	
42	RK051030	1	Bearing Set , camshaft	
42	7050630	1	Cam Bearing #1	
42	7050640	2	Cam Bearing #2 & #5	
42	7050650	2	Cam Bearing #3 & #4	
43	R022022	1	Pin , camshaft sprocket locating	
44	30698	1	Bolt , camshaft sprocket attaching	
45	R055011	1	Chain , camshaft timing	
46	R054041	1	Sprocket , camshaft	
47	7070700	2	Bolt , camshaft retaining	
48	R109050	1	Retainer , camshaft	
49	RA050021	1	Camshaft , engine (LH)	
49	RA050022	1	Camshaft , engine (RH)	
50	7050740	1	Plug , oil gallery	
51	NSS	1	Block , engine	
52	R090253A	1	Retainer , valve lifter	
53	RS0279	3	Bolt , valve lifter retainer	
54	RM0203	2	Gasket , water pump to engine block	
55	RA057027	1	Water Pump Assembly	
56	R095026	1	Stud , water pump attaching	
57	RS0307	1	Bolt , water pump attaching	
58	90305275	1	Bolt , water pump attaching	
58	90305300	1	Bolt , water pump attaching	
59	R095026	1	Stud , water pump attaching	
59	RS0308	1	Bolt , water pump attaching	
NI	RS2180	2	Lockwasher , water pump attaching	
60	R153005	1	Switch , oil pressure, fuel interlock	
61	R024059	1	Fitting , oil switch	
62	98144	1	Plug , block, dipstick (305/350)	
63	R006017A	1	Crankshaft , 350 1996/Later	
NI	R069066	8	Plug , Brass, block 1 5/8"	

OIL PAN and OIL PUMP ASSEMBLY - FIGURE 2

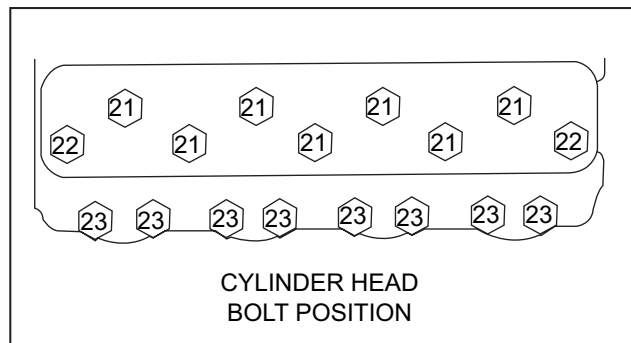
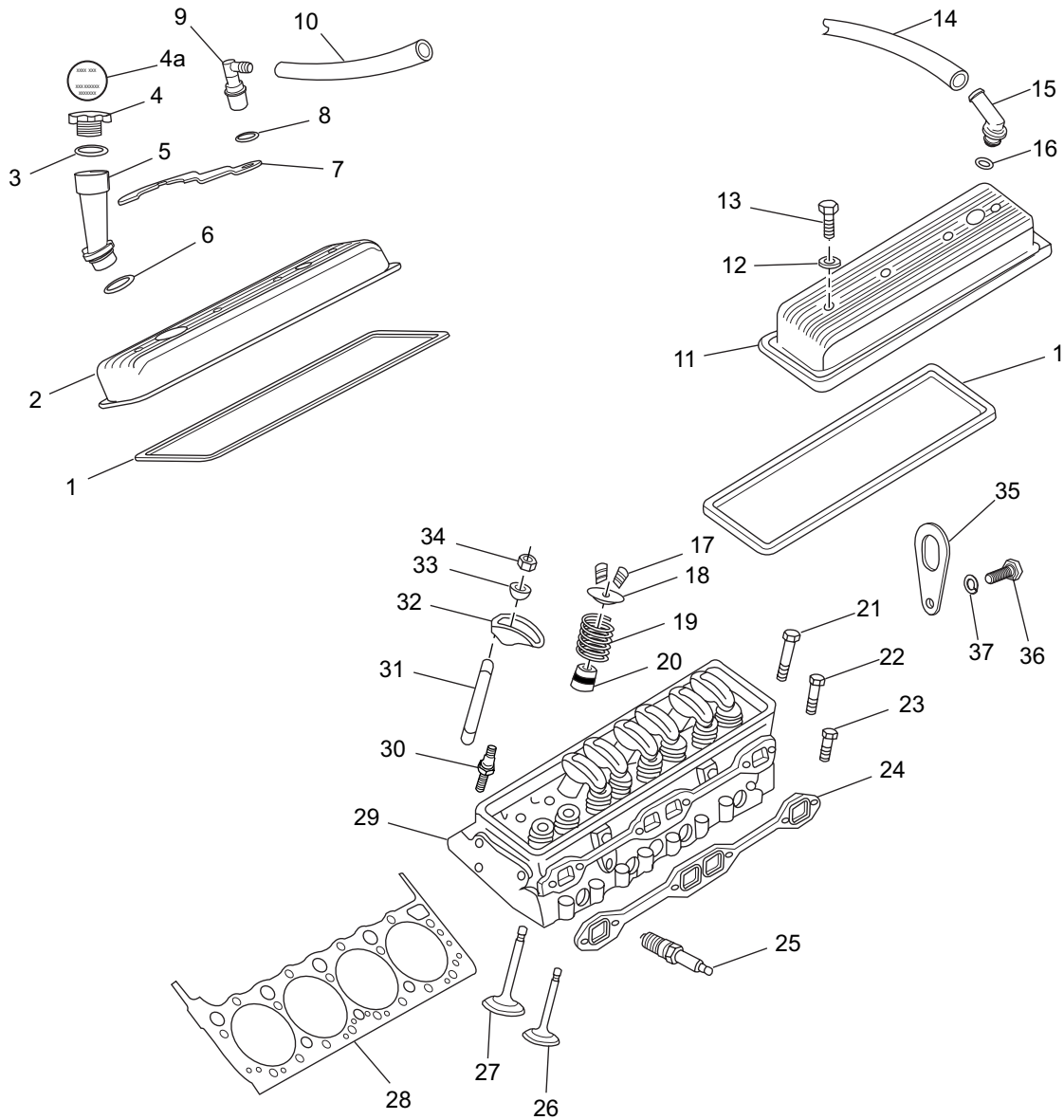


PC57B024CR

OIL PAN and OIL PUMP ASSEMBLY - FIGURE 2

ITEM	PART NO.	QTY.	DESCRIPTION	MODEL ID
1	R058054	1	Shaft , oil pump drive	
2	7100220	1	Retainer , oil pump drive shaft	
3	R022022	2	Pin , oil pump locating	
4	RA070010	1	Oil Pump Assembly	
5	R127015	2	Clamp , strap	
6	R012028	1	Deflector , crankshaft oil	
7	7100250	1	Bolt , oil pump	
8	RM0249	1	Gasket , oil pan	
9	R005011	1	Oil Pan , stamped	
9	97920	1	Oil Pan , cast (not shown)	
10	R041073	1	Dipstick , oil level (0-4 degree)	
10	R041074	AR	Dipstick , oil level (12 degree)	
10	R041075	AR	Dipstick , oil level (V-drive)	
11	R041078	2	Tube , oil level dipstick	
12	23535	1	O-ring , oil pan dipstick tube fitting	
13	98432	1	Fitting , oil pan dipstick tube	
14	7090440	1	Reinforcement , oil pan (LH)	
15	95200010	4	Nut , oil pan	
16	R009157	14	Bolt , oil pan	
17	7090450	1	Reinforcement , oil pan (RH)	
18	98466	1	Bolt , oil pan dipstick tube fitting	
19	NSS	1	O-ring , oil pan dipstick tube fitting bolt	
20	NSS	2	O-ring , oil pan dipstick tube	
21	7050360	5	Nut , crankshaft oil deflector	
22	RS2180	2	Lockwasher , strap clamp	
23	RS0302	2	Bolt , strap clamp	
24	45343	1	Cap , oil pan dipstick tube	
			"CAST OIL PAN"	
NI	RS3551	2	Pipe Plug , HX SOC Brass 3/8", port and frt	
NI	30615	1	Fitting , oil pan dipstick tube, 45°, brass, stbd	
NI	98350	AR	Tube , dipstick, 0°	
NI	98351	AR	Tube , dipstick, 4°	
NI	98352	AR	Tube , dipstick, 12°	
NI	98283	1	Dipstick , oil level	
NI	90245200	2	Bolt , oil pan, 5/16-18 X 2", front	
NI	90245150	2	Bolt , oil pan, 5/16-18 X 1-1/2", rear	
NI	RS2179	4	Lockwasher , oil pan, 5/16"	
NI	90105175	4	Bolt , oil pan, 1/4-20 X 1-3/4", port front	
NI	RS0258	8	Bolt , oil pan, 1/4-20 X 1-1/2", stbd, port rear	
NI	RS2178	12	Lockwasher , oil pan, 1/4"	

CYLINDER HEAD ASSEMBLY - FIGURE 3

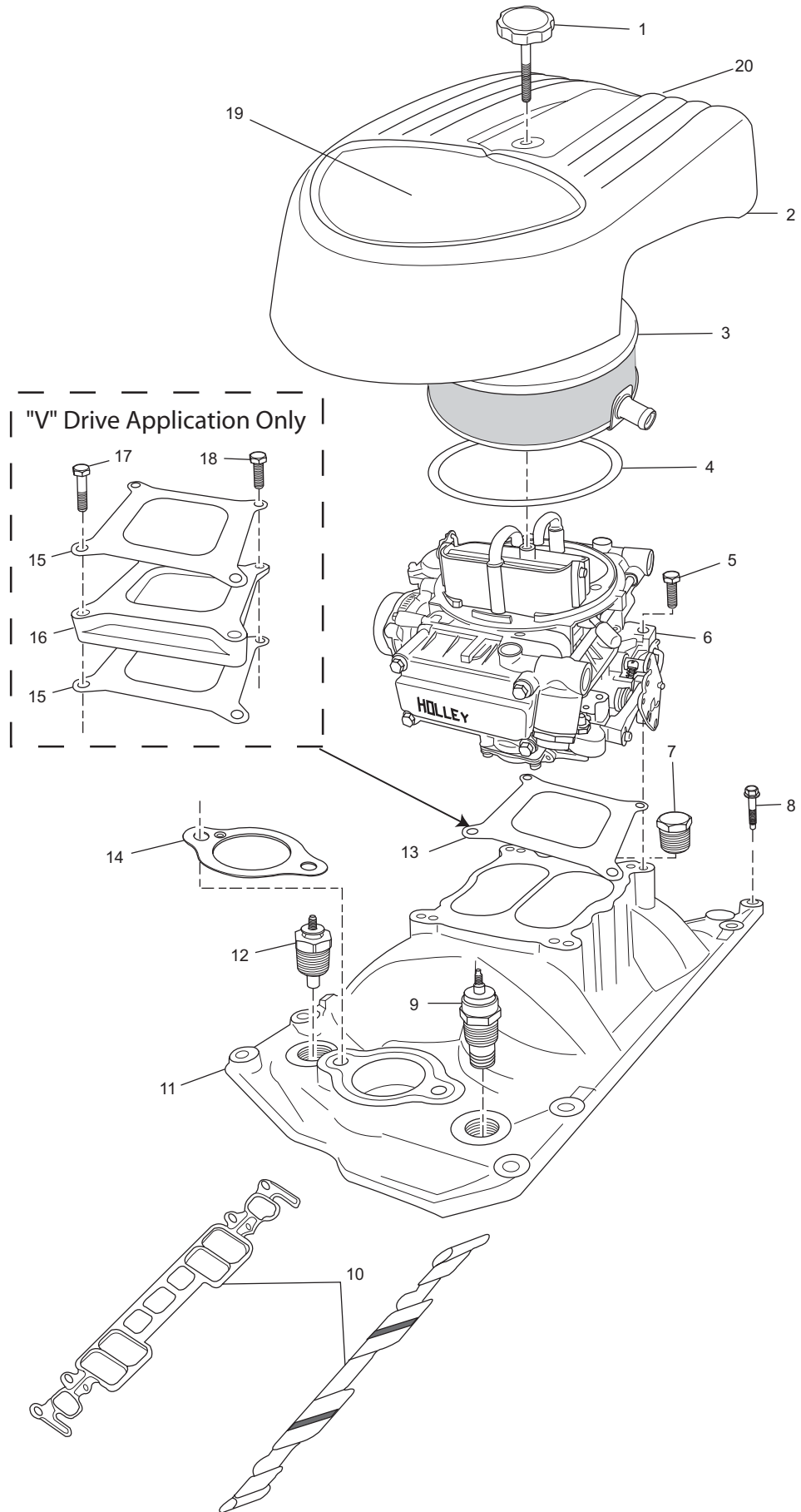


57carb002

CYLINDER HEAD ASSEMBLY - FIGURE 3

ITEM	PART NO.	QTY.	DESCRIPTION	MODEL ID
1	RM0193	2	Gasket , rocker cover	
2	R033008	1	Cover , rocker (right side)	
3	R047228	1	O-Ring , oil fill riser cap	
4	R034037	1	Cap , oil fill riser	
4a	R143137	1	Decal , oil fill riser cap	
5	R034048	1	Riser , oil fill	
6	R047228	1	O-Ring , oil fill riser	
7	R127098	1	Retainer , oil fill riser	
8	R094015	1	Grommet , pcv valve	
9	R035015	1	Valve , positive crankcase ventilation	
10	R045049	AR	Hose , pcv valve 3/8" I.D.	
11	R033008A	1	Cover , rocker (left side)	
12	98009	8	Washer , rocker cover retaining bolt	
13	7231510	8	Bolt , rocker cover retaining	
14	R045008C	1	Hose , breather	
15	R024013A	1	Elbow , breather tube	
16	R094015	1	Grommet , breather tube elbow	
17	R049012	32	Retainer , valve stem	
18	R049015	16	Cap , valve spring	
19	R046050	16	Valve Spring Assembly	
20	R047238	8	Seal , valve stem (intake)	
20	R047239	8	Seal , valve stem (exhaust)	
21	R009168	14	Bolt , cylinder head to engine block (long)	
22	7057300	4	Bolt , cylinder head to engine block (medium)	
23	7057280	16	Bolt , cylinder head to engine block (short)	
24	96306	2	Gasket , exhaust manifold	
25	R030010	8	Spark Plug	
26	R043035	8	Valve , (intake)	
27	R043036	8	Valve , (exhaust)	
28	RM0195	2	Gasket , cylinder head	
29	R003008B	2	Cylinder Head Assembly	
30	R095034	16	Stud , valve rocker arm	
30	7230920	AR	Stud , valve rocker arm (.013 OS)	
30	R095035	AR	Stud , valve rocker arm (.033 OS)	
31	R039023	16	Push Rod	
32	R038015	16	Rocker Arm , valve	
33	R038011	16	Ball , rocker arm	
34	R017069	16	Nut , rocker arm attaching	
35	R042008	1	Bracket , lift ring	
36	RS0304	1	Bolt , lift ring attaching	
37	RS2180	1	Lockwasher , lift ring attaching	

INTAKE MANIFOLD ASSEMBLY - FIGURE 4

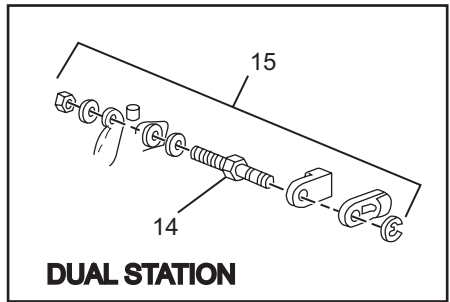
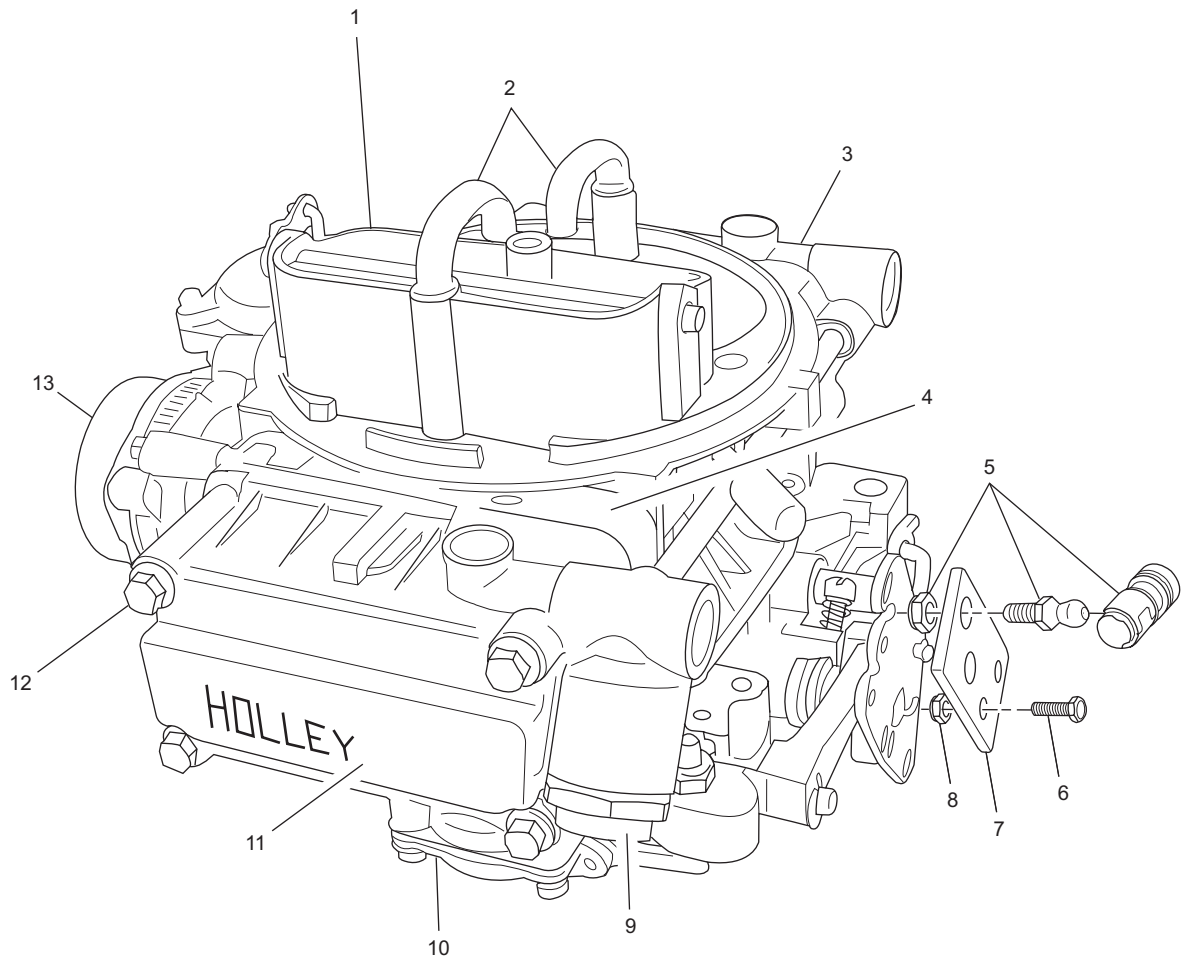


57carb003_04

INTAKE MANIFOLD ASSEMBLY - FIGURE 4

ITEM	PART NO.	QTY.	DESCRIPTION	MODEL ID
1	RA009145	1	Knob , cover retaining	
2	R060056	1	Cover , flame arrestor	
3	R145017	1	Arrestor , flame	
4	RM0129	1	Gasket , flame arrestor (4V)	
5	RS0282	4	Bolt , carburetor attaching	
6	RA052003	1	Carburetor , Holley	
7	RS3557	1	Plug , intake manifold	
8	R009180	8	Bolt , intake manifold to block	
9	R020014A	1	Switch , engine coolant temperature	
10	RM0250	2	Gasket , intake manifold	
11	R002018C	1	Intake Manifold	
12	R020003	1	Sender , temperature (SS)	
12	22701	AR	Sender , temperature (DS)	
13	98088	1	Gasket , carburetor to intake manifold	
14	RM0121	1	Gasket , water neck Carburetor mounting components for V-drive applications.	
15	98088	2	Gasket , carburetor mounting	
16	98087	1	Wedge	
17	90205200	2	Bolt , carburetor mounting, front	
18	90205125	2	Bolt , carburetor mounting, rear	
19	R143126B	1	Decal , cover	
20	R143127B	1	Decal , cover	

CARBURETOR ASSEMBLY - FIGURE 5

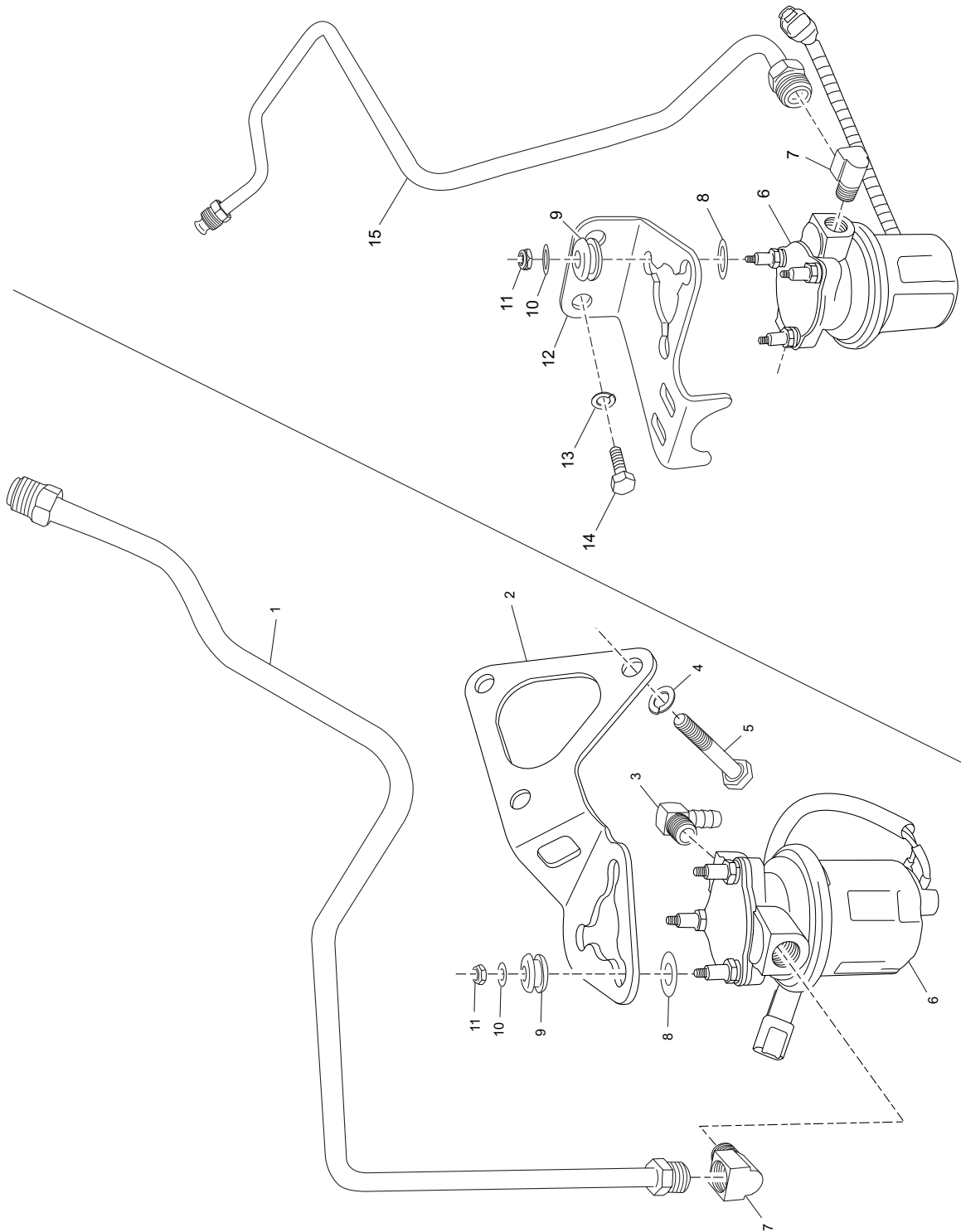


57carb005

CARBURETOR ASSEMBLY - FIGURE 5

ITEM	PART NO.	QTY.	DESCRIPTION	MODEL ID
1	RA052003	1	Carburetor Assembly	
2	RN0127	2	Tube , "J" bowl vent	
3	RN0052A	1	Fuel Bowl , Secondary	
4	RN0143	1	Metering Block Assembly	
5	R178003	1	Ball Joint , 5/16-24 throttle mount (SS)	
6	RS5122	1	Bolt , throttle cable/carb attaching	
7	R090069	1	Bracket , throttle cable/carburetor	
8	RS2055	1	Nut , nylock, throttle cable/carb attaching	
9	R024025	1	Adapter , carburetor fuel inlet	
10	RN0050	1	Cover , accelerator pump	
11	RN0052	1	Fuel Bowl , Primary	
12	R009142	4	Screw , Primary carburetor bowl attaching	
13	RN0067-1	1	Electric Choke Assembly	
14	22978	AR	Pivot Pin , cable attaching (dual)	
15	23235	AR	Cable Attaching Kit , dual station	
NI	R009143	4	Screw , Secondary carburetor bowl attaching	
NI	RN0023	8	Gasket , fuel bowl screw	
NI	RN0032	1	Gasket , fuel inlet fitting	
NI	RN0054	1	Diaphragm Assembly , accelerator pump	
NI	RN0045	1	Valve , pump discharge nozzle	
NI	RN0133	2	Float , carburetor	
NI	RN0120-1	1	Repair Kit , carburetor	

FUEL PUMP AND FUEL SYSTEM - FIGURE 6

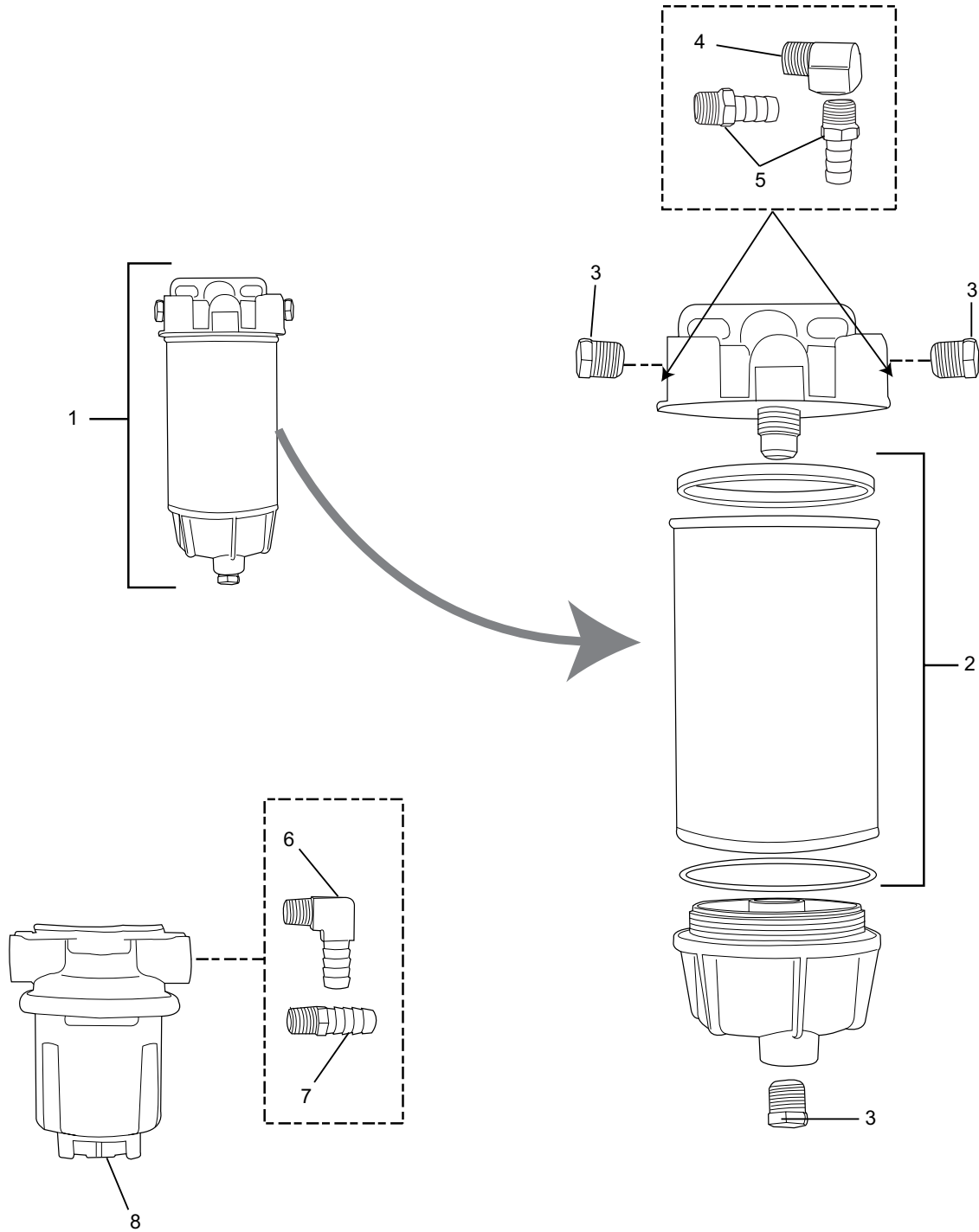


57carb006

FUEL PUMP AND FUEL SYSTEM - FIGURE 6

ITEM	PART NO.	QTY.	DESCRIPTION	MODEL ID
1	RA085018B	1	Fuel Line , 5.7L Carburetor	
2	R090223	1	Bracket , low-pressure fuel pump mounting	
3	R024207	1	Elbow , 1/4 NPT X 1/2 Hose	
4	RS2180	3	Lockwasher , bracket mounting	
5	RS0305	3	Bolt , bracket mounting	
6	RA080018	1	Fuel Pump , low-pressure	
7	R024017	1	Elbow , 3/8 inverse flare X 1/4 NPT	
8	R096142	3	Washer , fuel pump mounting	
9	R094035A	3	Grommet , mounting bracket	
10	R096142	3	Washer , fuel pump mounting	
11	RS1521L	3	Locking Nut , low-pressure fuel pump	
12	R090308	1	Bracket , low-pressure fuel pump	
13	RS2180	2	Lockwasher , lpf bracket mounting	
14	RS0302	2	Bolt , lpf bracket mounting	
15	RA085018C	1	Fuel Line , lpf to carburetor	

OPTIONAL - FUEL/WATER SEPARATOR COMPONENTS - FIGURE 7



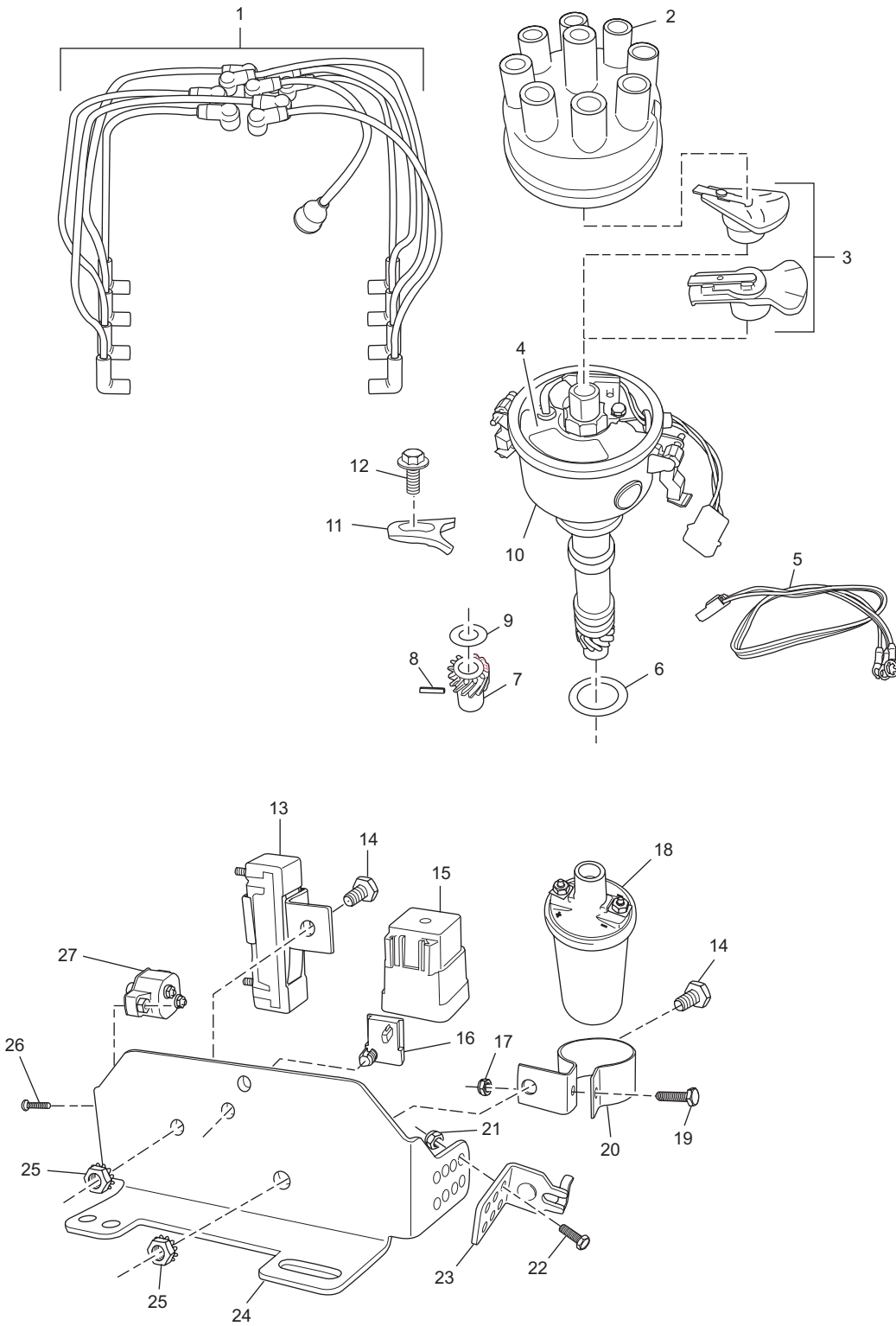
OPTIONAL - FUEL/WATER SEPARATOR COMPONENTS - FIGURE 7

ITEM	PART NO.	QTY.	DESCRIPTION	MODEL ID
1	RA080033	1	Fuel / Water Separator Assembly	
2	R080033	1	Filter and Seals	
3	RS3557	3	Plug, 3/8 NPT brass	
4	30646	AR	Fitting, Elbow, 3/8 NPT (male) X 3/8 NPT (female)	
5	R024218	AR	Fitting, Straight, 3/8 NPT X 1/2 hose	
6	R024207	AR	Fitting, Elbow, 1/4 NPT X 1/2 hose	
7	30632	AR	Fitting, Straight, 1/4 NPT X 1/2 hose	
8	RA080018	1	Fuel Pump, Low Pressure	
NI	RK080033	AR	Fuel / Water Separator Kit, (includes items 1,4, 5, 6, and 7)	

REMOTE OIL FILTER COMPONENTS - FIGURE 8

ITEM	PART NO.	QTY.	DESCRIPTION	MODEL ID
1	R079066	1	Oil Filter Header	
2	RS2179	3	Lockwasher , header mounting to brkt	
3	RS0280	3	Bolt , header mounting to brkt	
4	R047245	2	O-Ring , oil line	
5	R024203	1	Nipple , header filter adapter	
6	22679	1	Filter , oil	
7	RA045155A	1	Hose Assembly , cooler to filter header	
8	RA045155B	1	Hose Assembly , filter header to bypass adapter	
9	R090258	1	Bracket , ROF header mounting	
10	R024184	2	Fitting , 5/8SAE X 1/2NPT, 90 degree	
11	R147049	1	Cooler , oil	
12	RS2180	1	Lockwasher , oil cooler attaching	
13	RS1028	1	Nut , oil cooler attaching	
14	R090013A	1	Bracket , oil cooler attaching	
15	RS0256	1	Bolt , oil cooler mounting	
16	R090010	1	Bracket , oil cooler mounting	
17	RS0302	1	Bolt , oil cooler attaching	
18	RS2058	1	Nut , oil cooler mounting	
19	RA045103D	1	Hose Assembly , cooler to bypass adapter	
20	R017073	1	Bolt , oil bypass adapter	
21	R047203	1	O-ring , small	
22	R079051	1	Adapter , oil bypass adapter	
23	R047202	1	O-ring , large	
24	R009089	2	Bolt , oil adapter	
25	RA079028	1	Adapter , oil	
26	RS1540	1	Nut , sender terminal	
27	RS2197	1	Lockwasher , sender terminal	
28	RS2746	1	Washer , sender terminal	
29	R020001	1	Sender , oil pressure	
30	R024205	1	Tee , sender attaching	
31	R020015A	1	Switch , oil pressure	
32	R143175	1	Switch , oil pressure	

IGNITION COMPONENTS - FIGURE 9

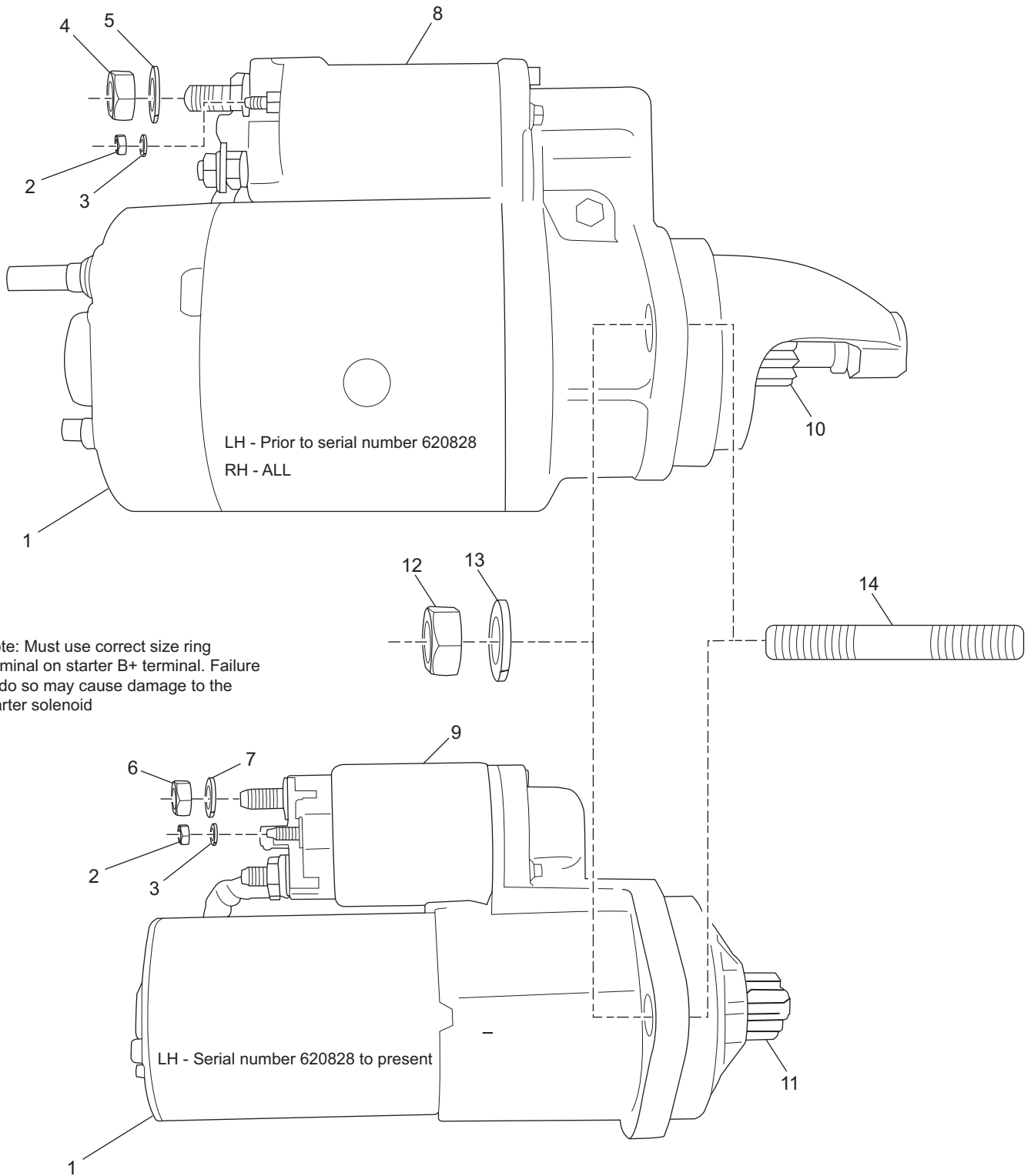


57carb004_04

IGNITION COMPONENTS - FIGURE 9

ITEM	PART NO.	QTY.	DESCRIPTION	MODEL ID
1	97454	1	Sparkplug Wire Set	
2	R108001	1	Cap , distributor	
3	R103001	1	Rotor	
NI	RP173081A	1	Kit , tune-up, cap and rotor	
4	RP116022	1	Module , Mallory breakerless ignition	
NI	TBD	1	Kit , spring, advance	
5	NSS	1	Harness , Distributor interface	
6	RM0123	1	Gasket , Distributor to block (GM)	
7	TBD	1	Gear , right hand (Dist. # RA107042)	
7	TBD	1	Gear , left hand (Dist. # RA107039M)	
NI	TBD	1	Kit , Mallory distributor cap retaining clip	
8	R082061	1	Pin , roll	
9	TBD	1	Washer , thrust	
10	RA107042	1	Distributor Assembly (RH)	
10	RA107039M	1	Distributor Assembly (LH)	
11	R127026	1	Hold Down , distributor	
12	R009188	1	Bolt , distributor hold down	
13	R119001	1	Resistor , ballast	
14	RS0251	2	Bolt , attaching	
15	R130011A	1	Relay , starter	
16	R127095	1	Retainer , relay	
17	RS0258	1	Nut , coil retaining	
18	R117004	1	Coil , ignition	
19	RS0256	1	Bolt , coil retaining	
20	R090010	1	Bracket , coil	
21	RS2055	2	Nut , nylock, throttle clip attaching	
22	RS5122	2	Bolt , throttle clip attaching	
23	R090086	1	Clip , throttle cable attaching	
24	R090185B	1	Bracket , electrical	
25	RS1078	2	Nut , attaching	
26	RS5084	2	Screw , circuit breaker attaching	
27	R153006C	1	Circuit Breaker , 60A	

STARTER ASSEMBLY COMPONENTS - FIGURE 10

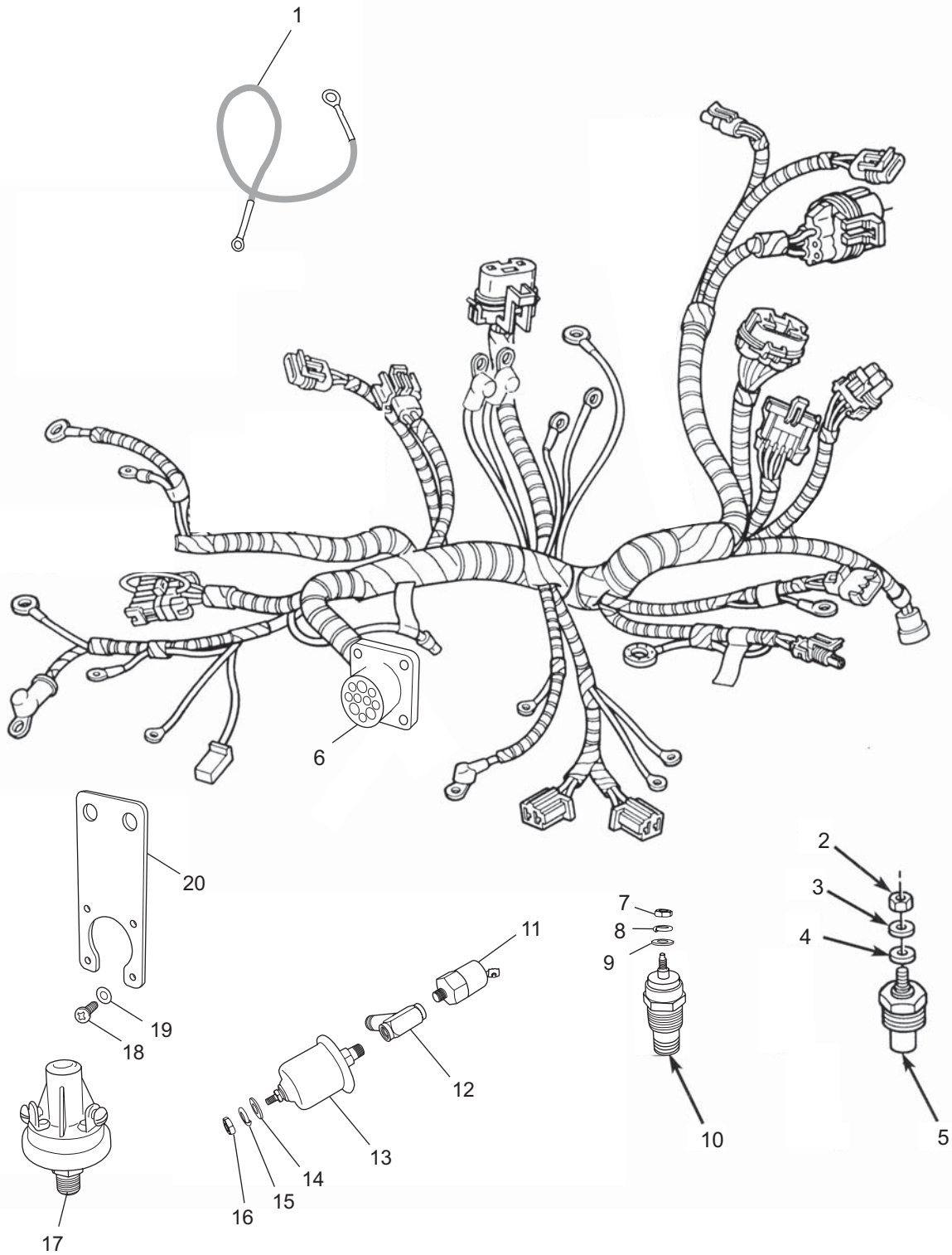


PC57B016CR

STARTER ASSEMBLY COMPONENTS - FIGURE 10

ITEM	PART NO.	QTY.	DESCRIPTION	MODEL ID
1	RA122009	1	Starter Motor Assembly (LH rotation)	
1	RA122008	1	Starter Motor Assembly (RH rotation)	
2	RS7036	1	Nut , solenoid terminal	
3	93003000	1	Lockwasher , solenoid terminal	
4	RS7019	1	Nut , solenoid terminal	
5	RS7081	1	Lockwasher , solenoid terminal	
6	RS7018	1	Nut , solenoid terminal	
7	RS7080	1	Lockwasher , solenoid terminal	
8	RU0050	1	Solenoid Assembly , starter	
9	RU0050B	1	Solenoid Assembly , starter	
10	RU0051	1	Drive Assembly , clutch (LH)	
10	RU0052	1	Drive Assembly , clutch (RH)	
11	TBD	1	Drive , starter	
12	RS1029	2	Nut , starter mounting	
13	RS2181	2	Lockwasher , starter mounting	
14	R031018	2	Stud , starter mounting	

WIRING HARNESS ASSEMBLIES and SENDERS - FIGURE 11

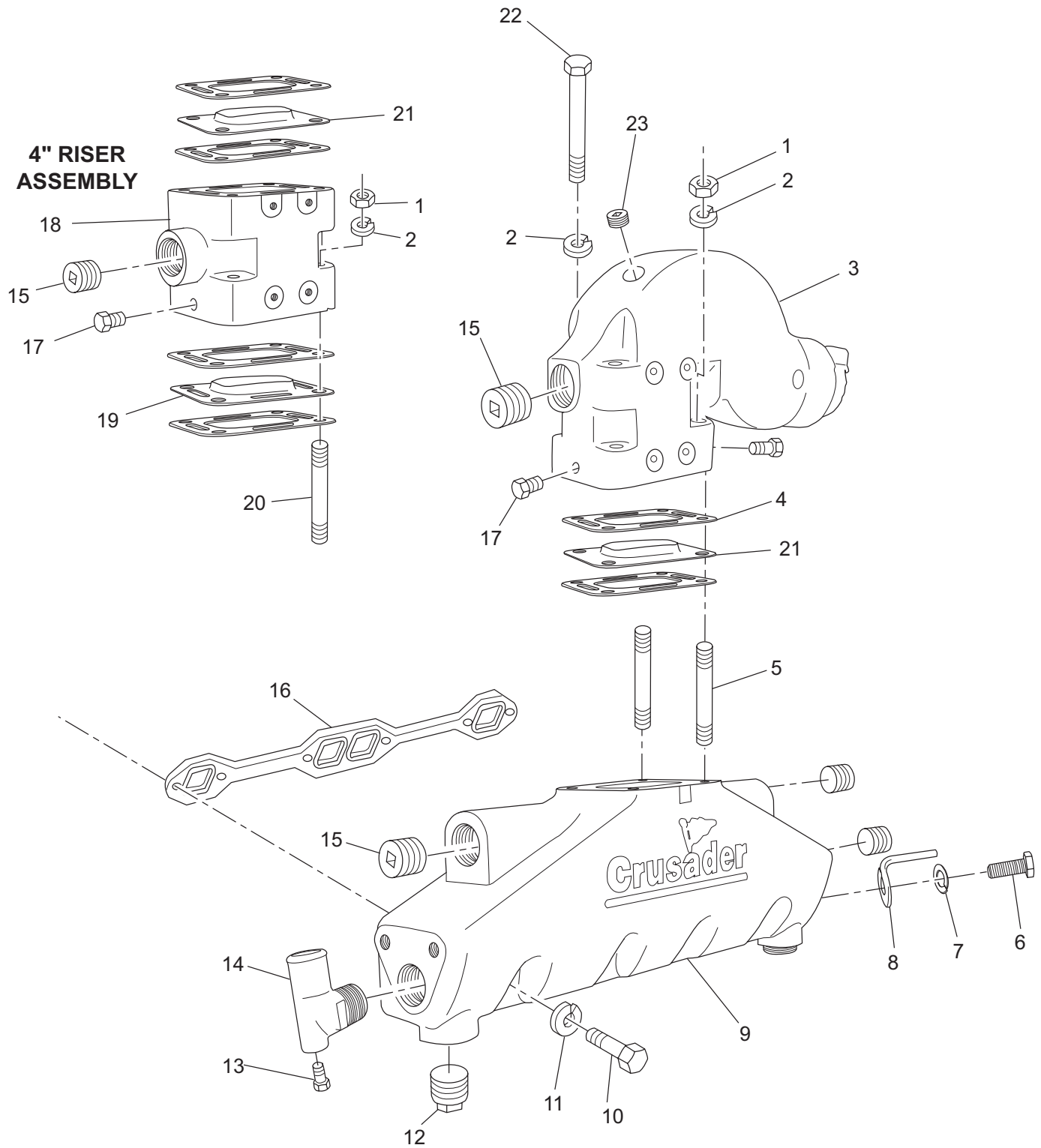


57carb009_06

WIRING HARNESS ASSEMBLIES and SENDERS - FIGURE 11

ITEM	PART NO.	QTY.	DESCRIPTION	MODEL ID
1	R101013	1	Wire , 14ga, Green, H.E. grd (FWC)	
2	NSS	1	Nut , temp switch terminal	
3	NSS	1	Lockwasher , temp switch terminal	
4	NSS	1	Washer , temp switch terminal	
5	R020014A	1	Switch , engine coolant temperature (210°)	
6	RA121080	1	Harness , engine	
N.I.	NSS	1	Wire , 16ga, Red, 15", resistor to coil	
N.I.	NSS	1	Fuse , 5A slow blow	
7	RS1540	1	Nut , sender terminal	
8	RS2197	1	Lockwasher , sender terminal	
9	RS2746	1	Washer , sender terminal	
10	R020003	1	Sender , temperature	
10	22701	AR	Sender , temperature (VDO)	
11	R020015A	1	Switch , oil pressure	
12	R024205	1	Tee , sender attaching	
13	R020001	1	Sender , oil pressure	
13	22702	AR	Sender , oil pressure (VDO)	
14	RS2746	1	Washer , sender terminal	
15	RS2197	1	Lockwasher , sender terminal	
16	RS1540	1	Nut , sender terminal	
17	R153005	1	Switch , oil pressure, fuel pump intrlk	
18	RS5115	4	Screw ,main harness attaching	
19	R096142	4	Washer , main harness attaching	
20	R090291	4	Bracket , 10-pin main harness attaching	
N.I.	R127039	2	Clamp , formed	
N.I.	RS0302	1	Bolt , clamp attaching, head	
N.I.	RS2180	1	Lockwasher , clamp attaching, head	
N.I.	90105075	1	Bolt , clamp attaching, block	
N.I.	RS2178	1	Lockwasher , clamp attaching, block	

EXHAUST MANIFOLD and COMPONENTS - FIGURE 12

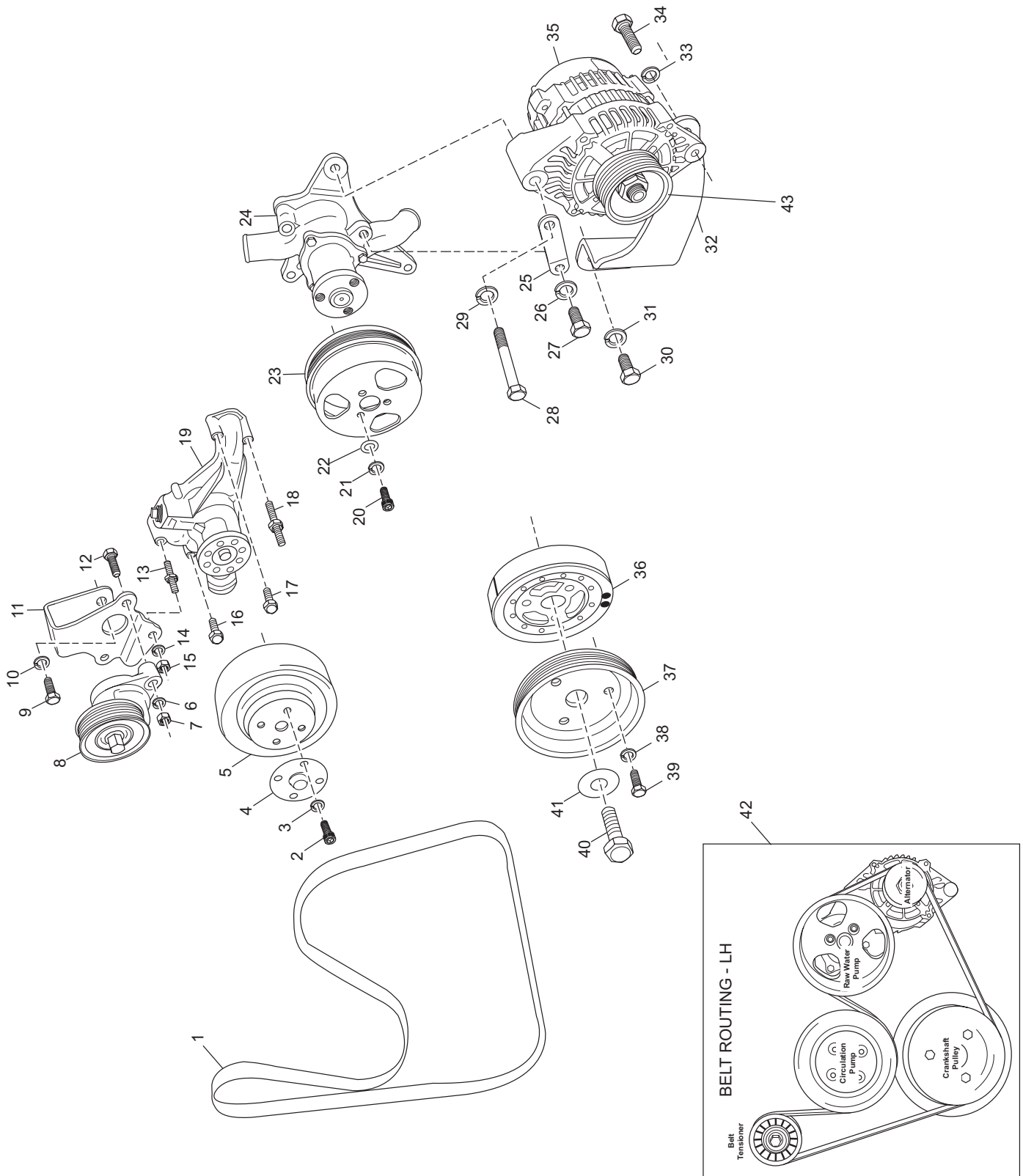


57carb010-07

EXHAUST MANIFOLD and COMPONENTS - FIGURE 12

ITEM	PART NO.	QTY.	DESCRIPTION	MODEL ID
1	RS1028	8	Nut , elbow attaching stud	8
2	RS2180	8	Lockwasher , elbow attaching stud	8
3	R029015	2	Elbow , exhaust manifold	2
4	98127	4	Gasket , manifold/elbow/riser	4
5	20827	4	Stud , exhaust elbow attaching	4
6	RS0302	2	Bolt , wire loom attaching	2
7	RS2180	2	Lockwasher , attaching bolt	2
8	R096144	2	Bracket , spark plug wire loom	2
9	98243	2	Manifold , exhaust	2
10	RS0316	8	Bolt , manifold to cylinder head	8
11	RS2180	8	Lockwasher , manifold to cylinder head	8
12	103876	AR	Plug , exhaust manifold (1")	AR
13	RS3552	2	Plug , drain	2
14	30624	2	Fitting , water elbow (90 degree)	2
15	RS3556	AR	Plug , exhaust elbow (3/4")	AR
16	96306	2	Gasket , manifold to cylinder head	2
17	RS3554	4	Plug , drain	4
18	98128	2	Exhaust Riser , 4"	2
19	98124A	AR	Plate , vented	AR
20	20783	8	Stud , riser mounting (2 3/4")	8
21	98124	AR	Plate , block-off	AR
22	90305500	4	Bolt , exhaust elbow attaching (4 3/4")	4
23	RS3539	2	Plug , exhaust elbow attaching	2
*	22818	AR	4-Inch Riser Kit	
			*NOTE: See Fresh Water Cooling section for additional parts used on the cooling system for Crusader engines.	

ACCESSORY DRIVE SYSTEM COMPONENTS (SERPENTINE - LH) - FIGURE 13

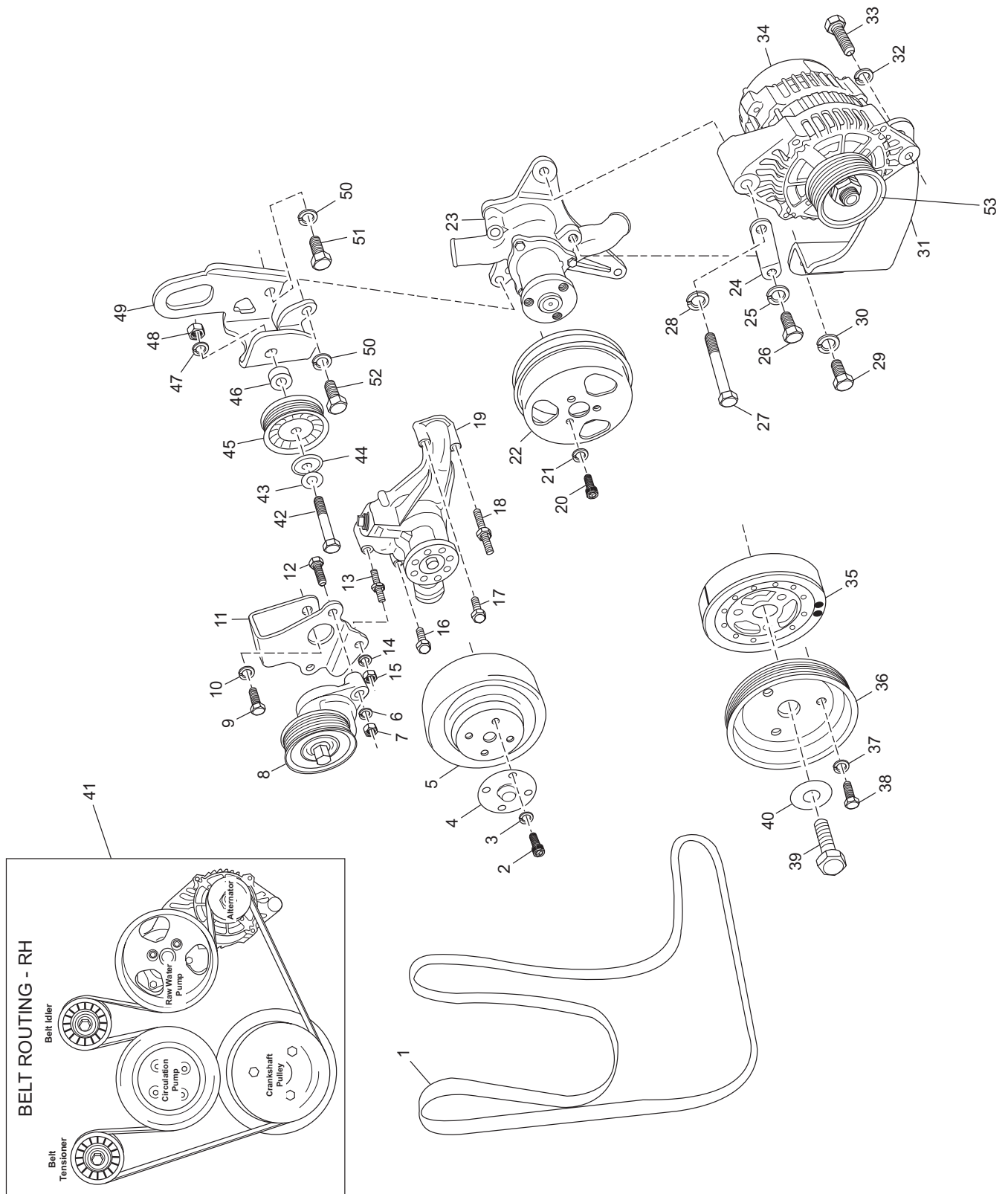


57carb011_04

ACCESSORY DRIVE SYSTEM COMPONENTS (SERPENTINE - LH) - FIGURE 13

ITEM	PART NO.	QTY.	DESCRIPTION	MODEL ID
1	R066028	1	Belt , serpentine drive, 5.7L - LH	
2	90274075	4	Bolt , water pump pulley attaching	
3	RS2307	4	Lockwasher , water pump pulley attaching bolt	
4	R096147	1	Cover , water pump pulley	
5	R065053	1	Pulley , water pump	
6	RS2180	2	Lockwasher , belt tensioner attaching	
7	RS1028	2	Nut , belt tensioner attaching	
8	RA068001	1	Belt Tensioner Assembly	
9	RS0304	1	Bolt , tensioner bracket attaching	
10	RS2180	1	Lockwasher , tensioner bracket attaching	
11	R090287B	1	Bracket , belt tensioner mounting	
12	RS0308	2	Bolt , belt tensioner attaching	
13	R095026	1	Stud , water pump mounting	
14	RS2179	2	Lockwasher , belt tensioner attaching	
15	RS1527	2	Nut , belt tensioner attaching	
16	90305275	1	Bolt , water pump mounting	
17	90305275	1	Bolt , water pump mounting	
18	R095026	1	Stud , water pump mounting	
19	RA057027	1	Water Pump Assembly	
20	99335016	3	Bolt , RWP pulley attaching	
21	93934000	3	Lockwasher , RWP pulley attaching	
22	92934000	3	Flatwasher , RWP pulley attaching	
23	R065052	1	Pulley , raw water pump	
24	RA057034	1	Raw Water Pump Assembly	
25	R090289	1	Bracket , alternator mounting	
26	RS2180	1	Lockwasher , alternator mounting bolt	
27	RS0304	1	Bolt , alternator mounting	
28	RS0311	1	Bolt , alternator mounting	
29	RS2180	1	Lockwasher , alternator mounting bolt	
30	RS0304	1	Bolt , alternator bracket attaching	
31	RS2180	1	Lockwasher , alternator bracket attaching bolt	
32	R090288	1	Bracket , alternator mounting	
33	RS7069	1	Lockwasher , alternator mounting bolt	
34	RS6738	1	Bolt , alternator mounting	
35	RA097007C	1	Alternator Assembly (70 amp serpentine)	
36	R064010A	1	Balancer , crankshaft	
37	R065051	1	Pulley , serpentine drive belt	
38	RS2180	3	Lockwasher , drive belt pulley attaching bolt	
39	90315100	3	Bolt , drive belt pulley attaching	
40	R009091	1	Bolt , crankshaft balancer	
41	R096074	1	Washer , crankshaft balancer	
N.I.	97224000	2	Nut , alternator wire attaching	
N.I.	93920000	2	Lockwasher , alternator wire attaching	
42	R143165	1	Decal , belt routing (5.7L)	
43	R065055	1	Pulley , Alternator (5.X/6.0L), Serpentine	

ACCESSORY DRIVE SYSTEM COMPONENTS (SERPENTINE - RH) - FIGURE 14

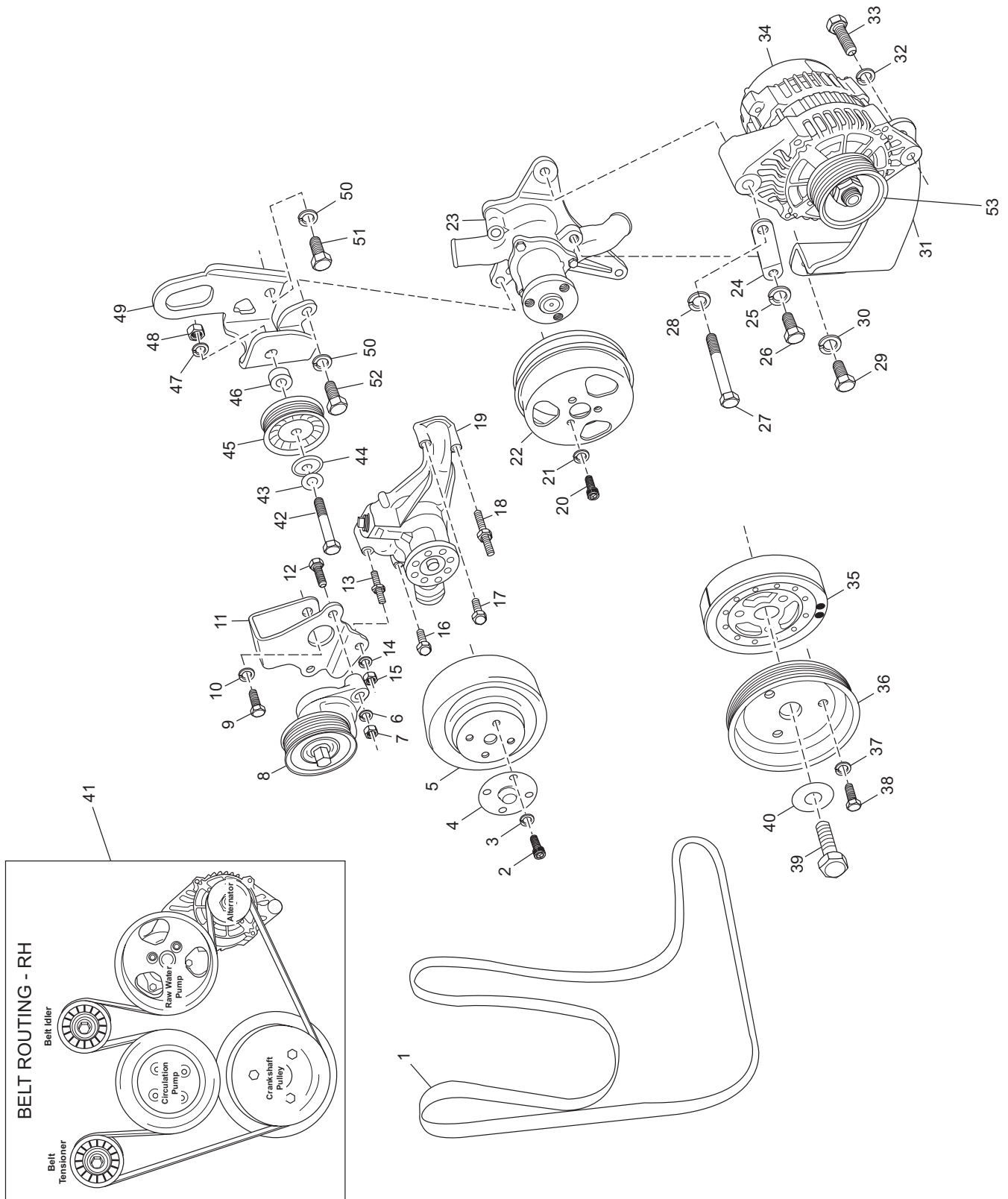


57carb011_04RH

ACCESSORY DRIVE SYSTEM COMPONENTS (SERPENTINE - RH) - FIGURE 14

ITEM	PART NO.	QTY.	DESCRIPTION	MODEL ID
1	R066029A	1	Belt , serpentine drive, 5.7L (RH)	
2	90274075	4	Bolt , water pump pulley attaching	
3	RS2307	4	Lockwasher , water pump pulley attaching bolt	
4	R096147	1	Cover , water pump pulley	
5	R065053	1	Pulley , water pump	
6	RS2180	2	Lockwasher , belt tensioner attaching	
7	RS1028	2	Nut , belt tensioner attaching	
8	RA068001	1	Belt Tensioner Assembly	
9	RS0304	1	Bolt , tensioner bracket attaching	
10	RS2180	1	Lockwasher , tensioner bracket attaching	
11	R090287B	1	Bracket , belt tensioner mounting	
12	RS0308	2	Bolt , belt tensioner attaching	
13	R095026	1	Stud , water pump mounting	
14	RS2179	2	Lockwasher , belt tensioner attaching	
15	RS1527	2	Nut , belt tensioner attaching	
16	90305275	1	Bolt , water pump mounting	
17	90305275	1	Bolt , water pump mounting	
18	R095026	1	Stud , water pump mounting	
19	RA057027	1	Water Pump Assembly	
20	99335016	3	Bolt , RWP pulley attaching	
21	93934000	3	Lockwasher , RWP pulley attaching	
22	R065052A	1	Pulley , raw water pump (RH)	
23	RA057034	1	Raw Water Pump Assembly	
24	R090289	1	Bracket , alternator mounting	
25	RS2180	1	Lockwasher , alternator mounting bolt	
26	RS0304	1	Bolt , alternator mounting	
27	RS0311	1	Bolt , alternator mounting	
28	RS2180	1	Lockwasher , alternator mounting bolt	
29	RS0304	1	Bolt , alternator bracket attaching	
30	RS2180	1	Lockwasher , alternator bracket attaching bolt	
31	R090288	1	Bracket , alternator mounting	
32	RS7069	1	Lockwasher , alternator mounting bolt	
33	RS6738	1	Bolt , alternator mounting	
34	RA097007C	1	Alternator Assembly (70 amp serpentine)	
35	R064010A	1	Balancer , crankshaft	
36	R065051	1	Pulley , serpentine drive belt	
37	RS2180	3	Lockwasher , drive belt pulley attaching bolt	
38	90315100	3	Bolt , drive belt pulley attaching	
39	R009091	1	Bolt , crankshaft balancer	
40	R096074	1	Washer , crankshaft balancer	
N.I.	97224000	2	Nut , alternator wire attaching	
N.I.	93920000	2	Lockwasher , alternator wire attaching	
41	R143165A	1	Decal , belt routing, 5.7L (RH)	
42	98443050	1	Bolt , Idler Pulley attaching	
43	92940000	1	Flat Washer , Idler Pulley attaching	
44	R096145	1	Flat Washer , Idler Pulley attaching	
45	R065054	1	Pulley , Idler	

ACCESSORY DRIVE SYSTEM COMPONENTS (SERPENTINE - RH) - FIGURE 14 (cont'd)

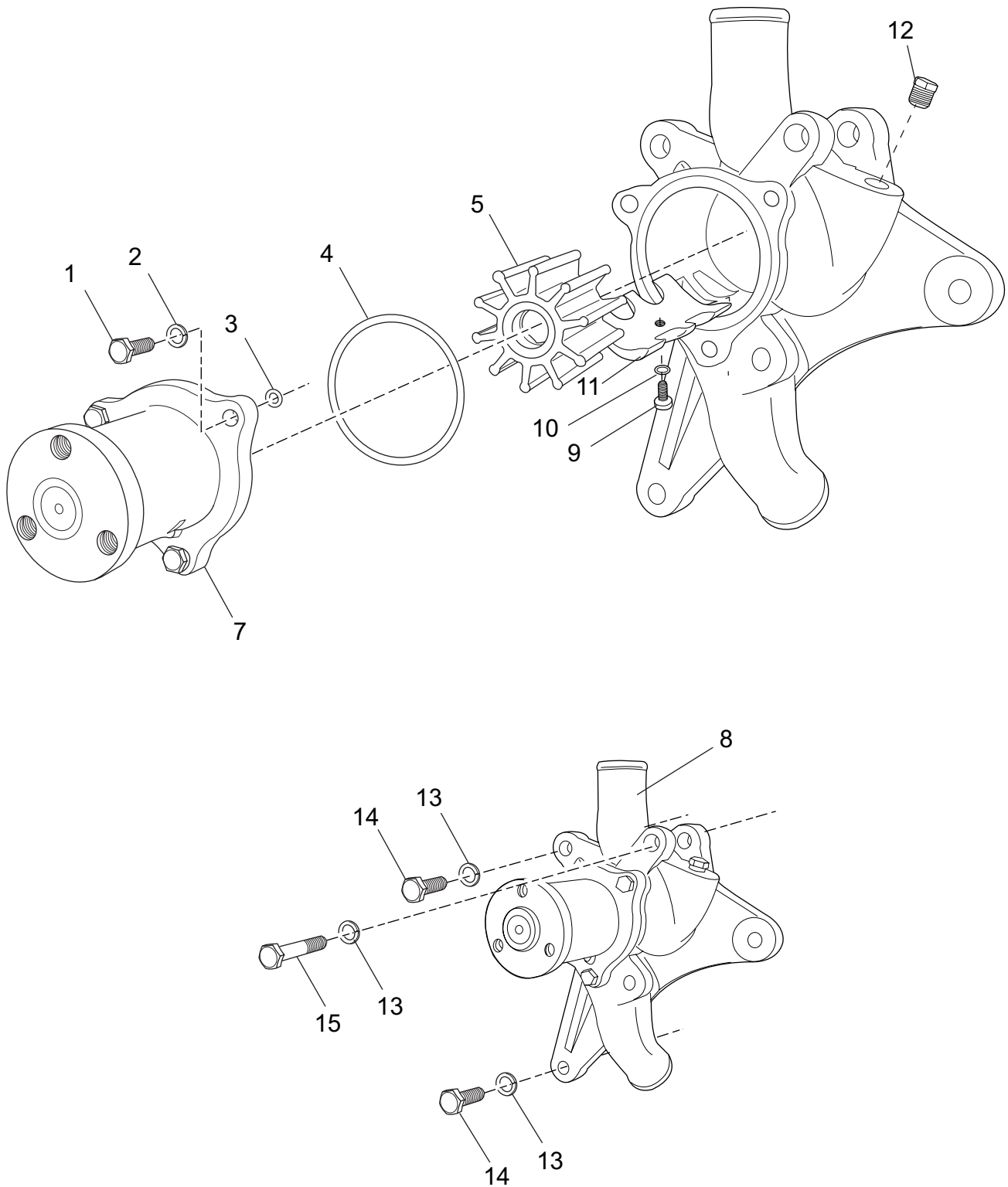


57carb011_04RH

ACCESSORY DRIVE SYSTEM COMPONENTS (SERPENTINE - RH) - FIGURE 14 (cont'd)

ITEM	PART NO.	QTY.	DESCRIPTION	MODEL ID
46	R062083	1	Spacer , Idler Pulley	
47	93940000	1	Lock Washer , Idler Pulley attaching	
48	97440000	1	Nut , Idler Pulley attaching	
49	R090307	1	Bracket , Idler pulley 5.7 (RH)	
50	RS2180	2	Lock Washer , Idler bracket attaching	
51	RS0304	1	Bolt , Idler bracket attaching, upper	
52	RS0306	1	Bolt , Idler bracket attaching, lower	
53	R065055	1	Pulley , Alternator (5.X/6.0L), Serpentine	

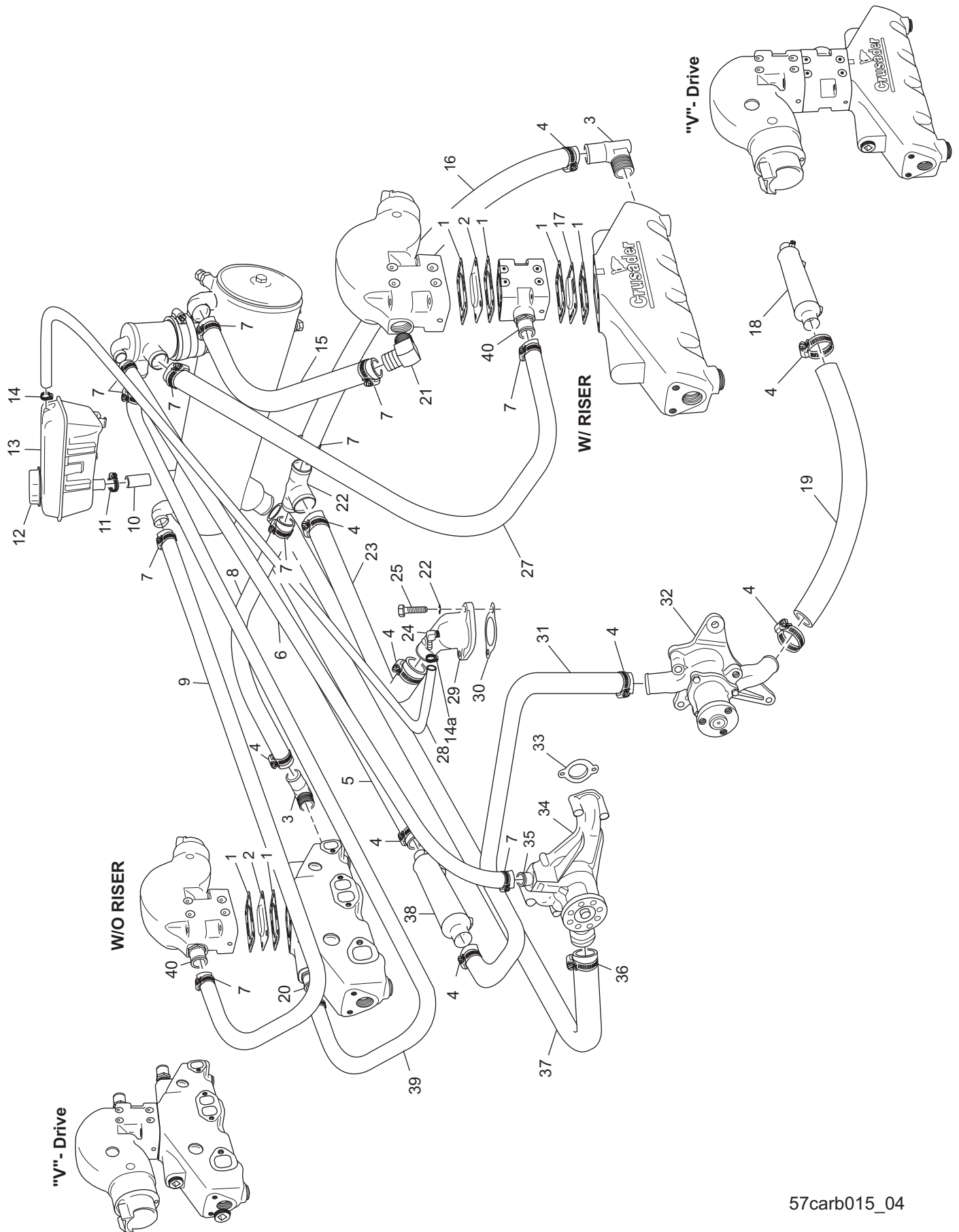
RAW WATER COOLING PUMP (SERPENTINE) - FIGURE 15



RAW WATER COOLING PUMP (SERPENTINE) - FIGURE 15

ITEM	PART NO.	QTY.	DESCRIPTION	MODEL ID
1	TBD	3	Bolt , bearing housing attaching	
2	TBD	3	Lockwasher , bearing housing attaching bolt	
3	R047243	3	O-ring , bearing housing attaching bolt	
4	R047242	1	O-ring , bearing housing attaching	
5	RP061022	1	Impeller Kit (includes O-rings and impeller)	
6	R057034	1	Housing , raw water pump	
7	RA134071	1	Bearing Housing Assembly	
8	RA057034	1	Raw Water Pump Assembly	
9	R175056	1	Bolt , raw water pump cam	
10	R047254	1	Lockwasher , raw water pump cam	
11	R161018	1	Cam , raw water pump	
12	RS3554	1	Plug , brass 1/8 NPT	
13	RS2180	3	Lockwasher , raw water pump attaching	
14	RS0306	2	Bolt , raw water pump attaching	
15	RS0454	1	Bolt , raw water pump attaching	

FRESH WATER COOLING SYSTEM COMPONENTS - FIGURE 16

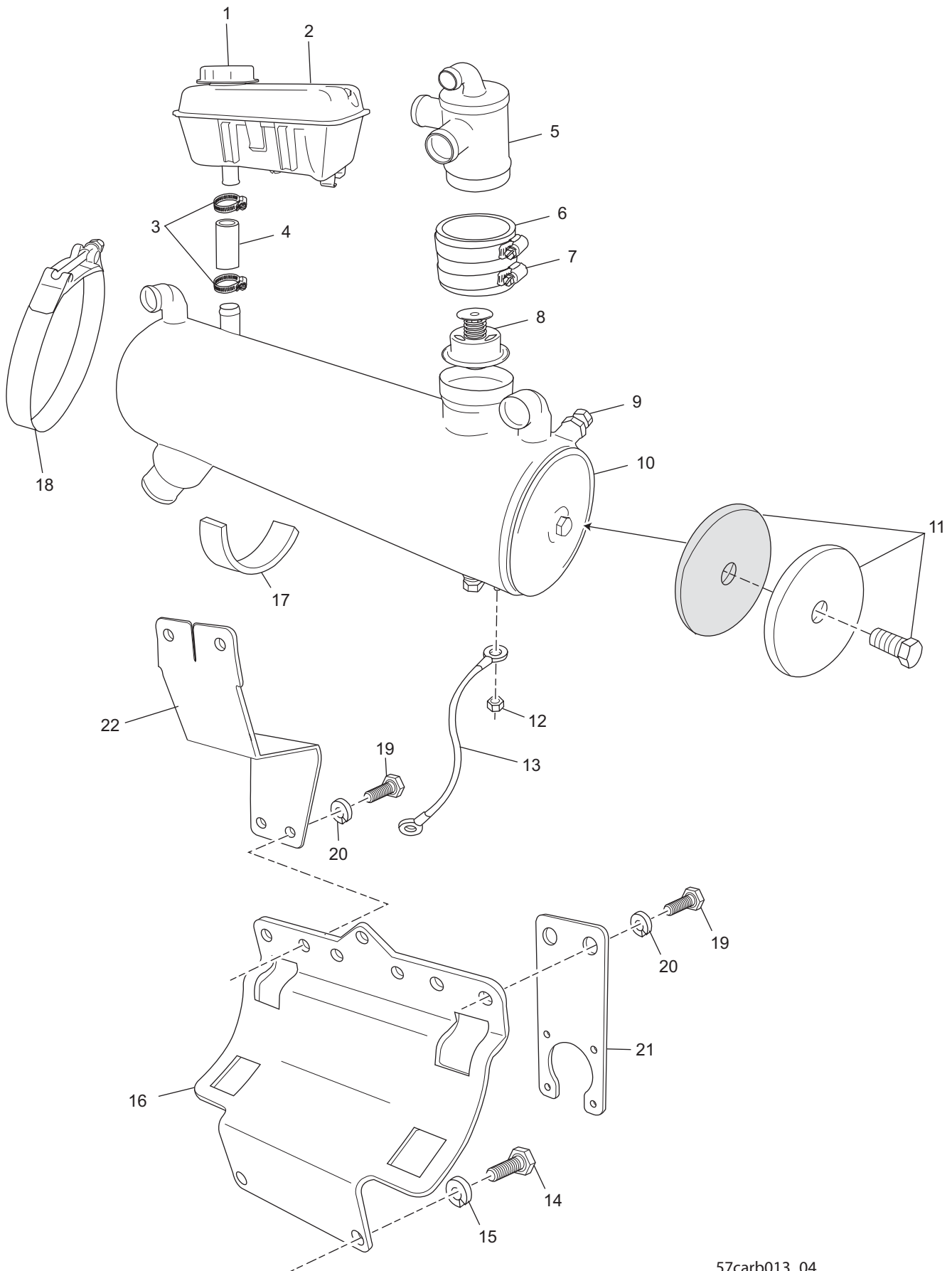


57carb015_04

FRESH WATER COOLING SYSTEM COMPONENTS - FIGURE 16

ITEM	PART NO.	QTY.	DESCRIPTION	MODEL ID
1	98127	4	Gasket , elbow / riser / manifold (*Quantity - 8, w/ 4" riser)	
2	98124	2	Plate , block-off	
3	30624	2	Fitting , exhaust manifold (90 degree) (1" NPT X 1-1/4" hose)	
N.I.	RS3552	2	Plug , drain	
4	RS3858	10	Clamp , hose	
5	18406	1	Hose , transmission cooler to heat exchanger	
6	R045086	AR	Hose , t-stat housing to circulating pump 5/8" i.d.	
7	RS3851	12	Clamp , hose	
8	R045136B	1	Hose , coolant tee to exhaust manifold (starboard)	
9	18340	1	Hose , heat exchanger to elbow (starboard) (direct drive)	
9	TBD	1	Hose , heat exchanger to elbow (starboard) (v-drive)	
10	R045153	1	Hose , degas bottle to heat exchanger	
11	RS3854	2	Clamp , hose	
12	R034045	1	Cap , degas bottle	
13	R146001	1	Bottle , degas	
14	R127087	1	Clamp , hose	
14a	RS3870	1	Clamp , hose	
15	R045165	1	Hose , heat exchanger to elbow (Port) (direct drive)	
15	TBD	1	Hose , heat exchanger to elbow (Port) (v-drive)	
16	R045136	1	Hose , coolant tee to exhaust manifold (port)	
17	98124A	2	Plate , vented (used w/ 4" riser)	
18	R147049	1	Cooler , engine oil	
19	R045159	1	Hose , engine oil cooler to raw water pump	
20	R024212	3	Fitting , straight (1" NPT X 1-1/4" hose)	
21	R024006A	1	Fitting , 90 degree (3/4" NPT X 1" hose)	
22	R024054C	1	Tee , coolant, 1-1/4 x 1 x 1	
23	R045144A	1	Hose , water neck to coolant tee	
24	R024055	1	Fitting , 90 degree, water neck	
25	RS0304	2	Bolt , water neck attaching	
26	RS2180	2	Lockwasher , water neck attaching	
27	TBD	1	Hose , t-stat housing to 4" riser (port)	
N.I.	R045157A	1	Hose , t-stat housing to manifold w/o 4" riser (port)	
28	R045132	AR	Hose , degas bottle to water neck fitting	
29	R025015B	1	Water Neck	
30	96105	1	Gasket , water neck	
31	R045166	1	Hose , raw water pump to transmission cooler	
32	RA057034	1	Raw Water Pump	
33	RM0203	2	Gasket , water pump to engine block	
34	RA057027	1	Water Pump Assembly	
35	23555	2	Fitting , 5/8" hose barb	
36	RS3852	2	Clamp , hose (#32)	
37	R045146A	1	Hose , heat exchanger to circulating pump	
38	R147006	1	Cooler , transmission oil	
39	R045157A	1	Hose , t-stat housing to manifold w/o 4" riser (starboard)	
N.I.	TBD	1	Hose , t-stat housing to 4" riser (starboard)	
40	R024073	1	Fitting , straight (3/4" NPT X 1" hose)	

HEAT EXCHANGER and COMPONENTS - FIGURE 17

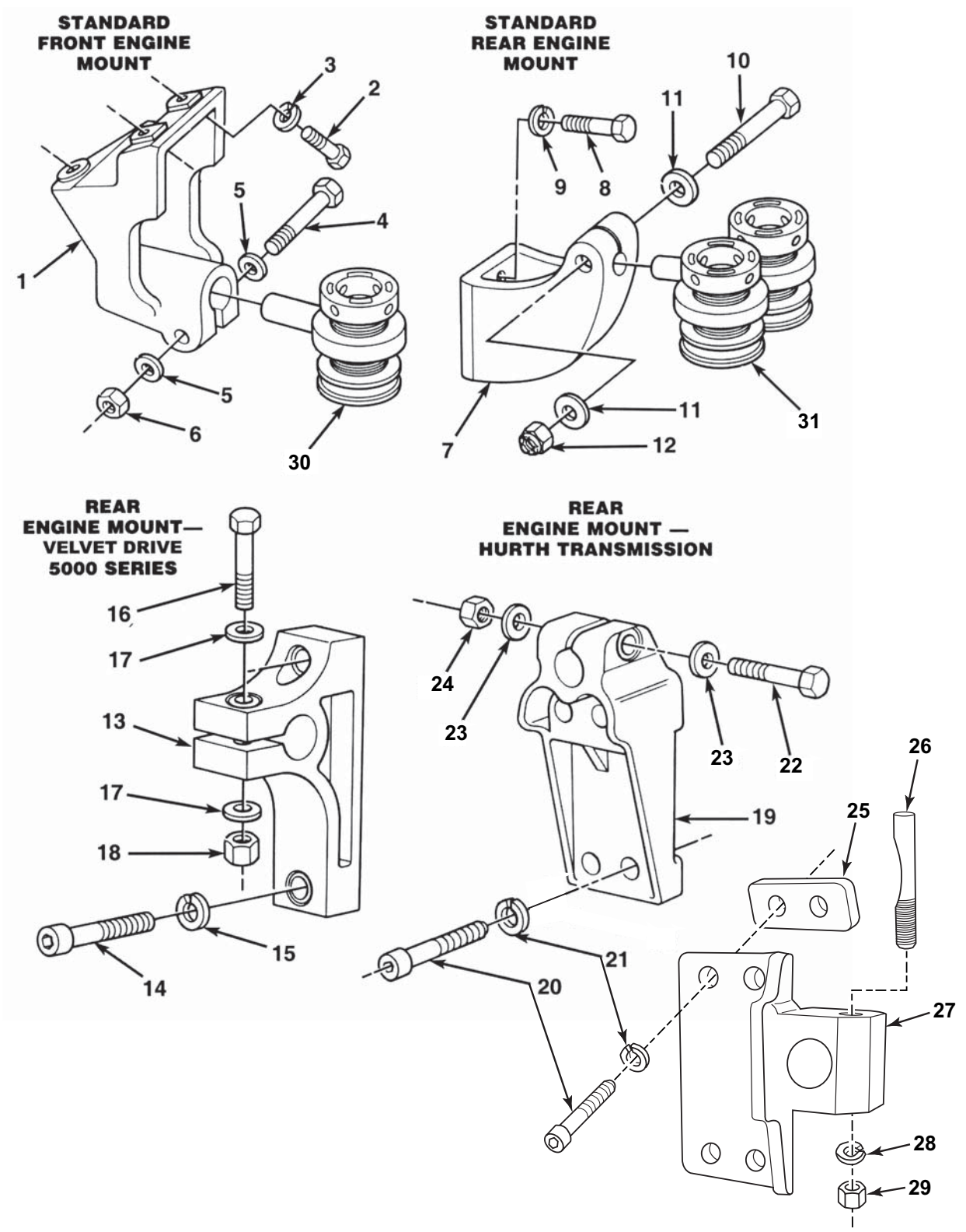


57carb013_04

HEAT EXCHANGER and COMPONENTS - FIGURE 17

ITEM	PART NO.	QTY.	DESCRIPTION	MODEL ID
1	R034045	1	Cap , degas bottle	
2	R146001	1	Bottle , degas	
NI	R143171	1	Decal , spec 5.7L carburetor	
NI	R143153	1	Decal , coolant fill	
3	RS3872	2	Clamp , hose	
4	R045153	1	Hose , degas bottle to heat exchanger	
5	R025037	1	Housing , thermostat	
6	R045162	1	Hose , thermostat housing to heat exchanger	
7	RS3860	2	Clamp , hose	
8	R026007	1	Thermostat , 170 degree	
9	R168005	AR	Anode , sacrificial zinc	
10	RA147048	1	Heat Exchanger Assembly	
11	23540	AR	End Cap Kit , exchanger	
12	RS1078	1	Nut , ground wire stud	
13	R101013	1	Wire , grounding	
14	90368100	2	Bolt , heat exchanger bracket attaching	
15	RS2180	2	Lockwasher , mounting bolt	
16	R090258	1	Bracket , heat exchanger	
17	R094040	2	Isolator , rubber, w/adhesive	
17	R094041	2	Isolator , rubber	
18	R171009	2	Clamp , exchanger mounting	
19	RS0280	4	Bolt , bracket attaching	
20	RS2179	4	Lockwasher , bracket attaching	
21	R090291	1	Bracket , 10-pin connector	
22	R090311	1	Bracket , degas bottle	

ENGINE and TRANSMISSION MOUNTS - FIGURE 18

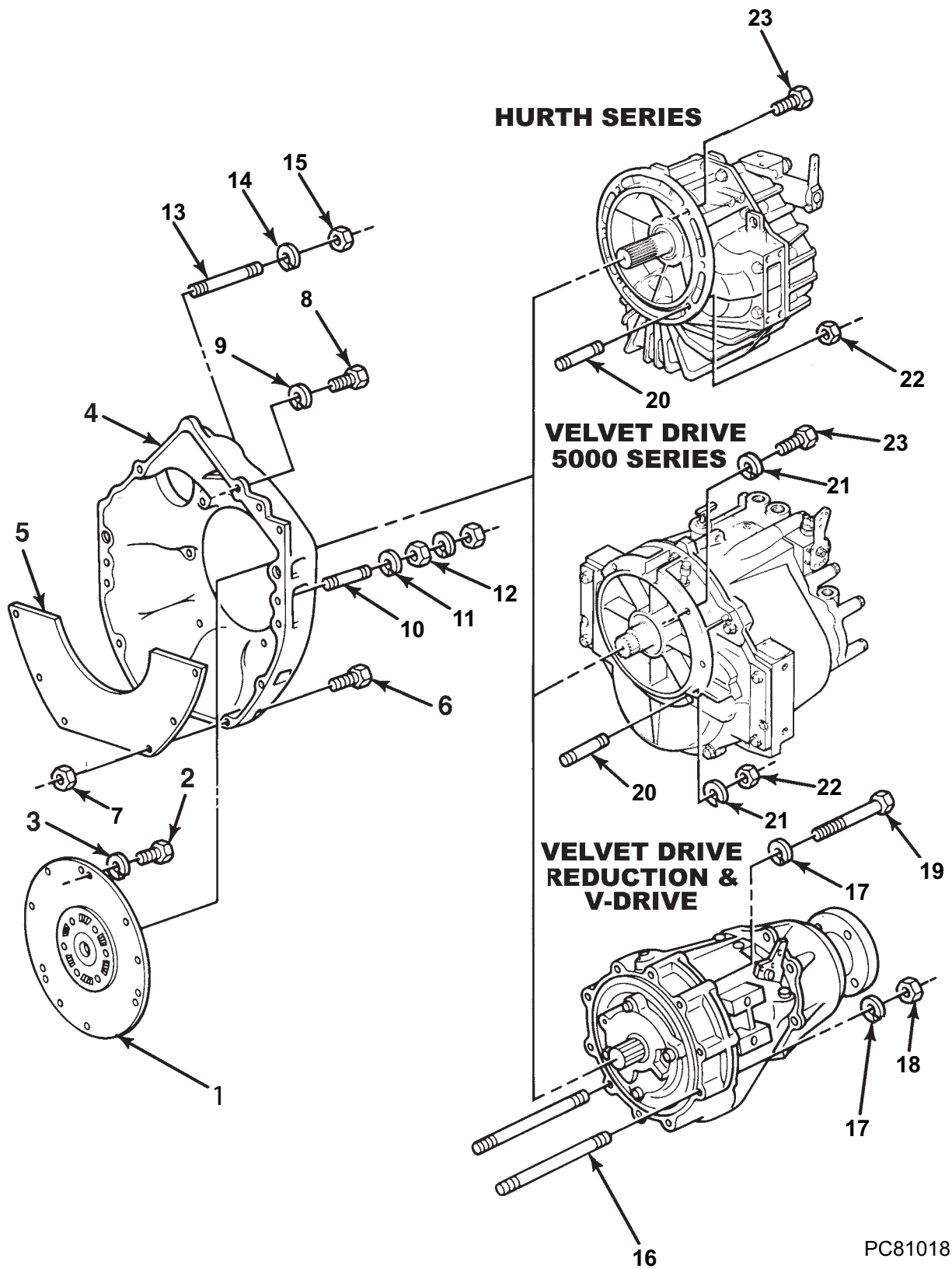


PC81017

ENGINE and TRANSMISSION MOUNTS - FIGURE 18

ITEM	PART NO.	QTY.	DESCRIPTION	MODEL ID
			Standard Front Engine Mount	
1	97938	2	Bracket , engine mounting (front)	
2	RS0305	4	Bolt , socket head	
2	RS3442	2	Stud	
N.S.	RS1028	2	Nut , attaching	
3	RS2180	6	Lockwasher , bracket mounting bolt	
4	90318225	2	Bolt , trunnion shaft (2 1/4")	
5	92300000	4	Washer , trunnion bolt	
6	95310300	2	Nut , trunnion bolt - locking	
			Standard Rear Engine Mount	
7	97917	2	Bracket , engine mounting (Rear)	
8	RS0328	4	Bolt , bracket to transmission (1 1/4")	
9	RS2181	4	Lockwasher , bracket mounting bolt	
10	90318325	2	Bolt , trunnion shaft (3 1/4")	
11	92300000	4	Washer , trunnion bolt	
12	95310300	2	Nut , trunnion bolt - locking	
			Rear Engine Mount - Velvet Drive 5000 Series	
13	98224	1	Bracket , transmission mounting (Starboard)	
13	98225	1	Bracket , transmission mounting (Port)	
14	RS6336	4	Bolt , bracket to transmission (12 mm x 60 mm)	
15	RS7071	4	Lockwasher (12 mm)	
16	90318325	2	Bolt , trunnion shaft (3 1/4")	
17	92300000	4	Washer , trunnion bolt	
18	95310300	2	Nut , trunnion bolt - locking	
			Rear Engine Mount - Hurth Transmission	
19	R090174A	2	Bracket , engine mounting (rear)	
20	RS6331	4	Bolt , bracket to transmission (12 mm x 35 mm)	
20	RS6336	4	Bolt , bracket to transmission (12 mm x 60 mm)	
21	RS7071	8	Lockwasher (12 mm)	
22	90318325	2	Bolt , trunnion shaft (3 1/4")	
23	92300000	4	Washer , trunnion bolt	
24	95310300	2	Nut , trunnion bolt - locking	
25	R109049	2	Spacer , bracket to transmission	
26	R095020	2	Bolt , trunnion shaft	
27	R090217	1	Bracket , engine mounting (port)	
27	R090218	1	Bracket , engine mounting (starboard)	
28	RS2181	2	Lockwasher , trunnion bolt	
29	RS1529	2	Nut , trunnion bolt - locking	
			Mount Supports	
30	97926	2	Mount , engine support (single front)	
31	97905	2	Mount , engine support (dual rear)	

BELL HOUSING ASSEMBLY - FIGURE 19

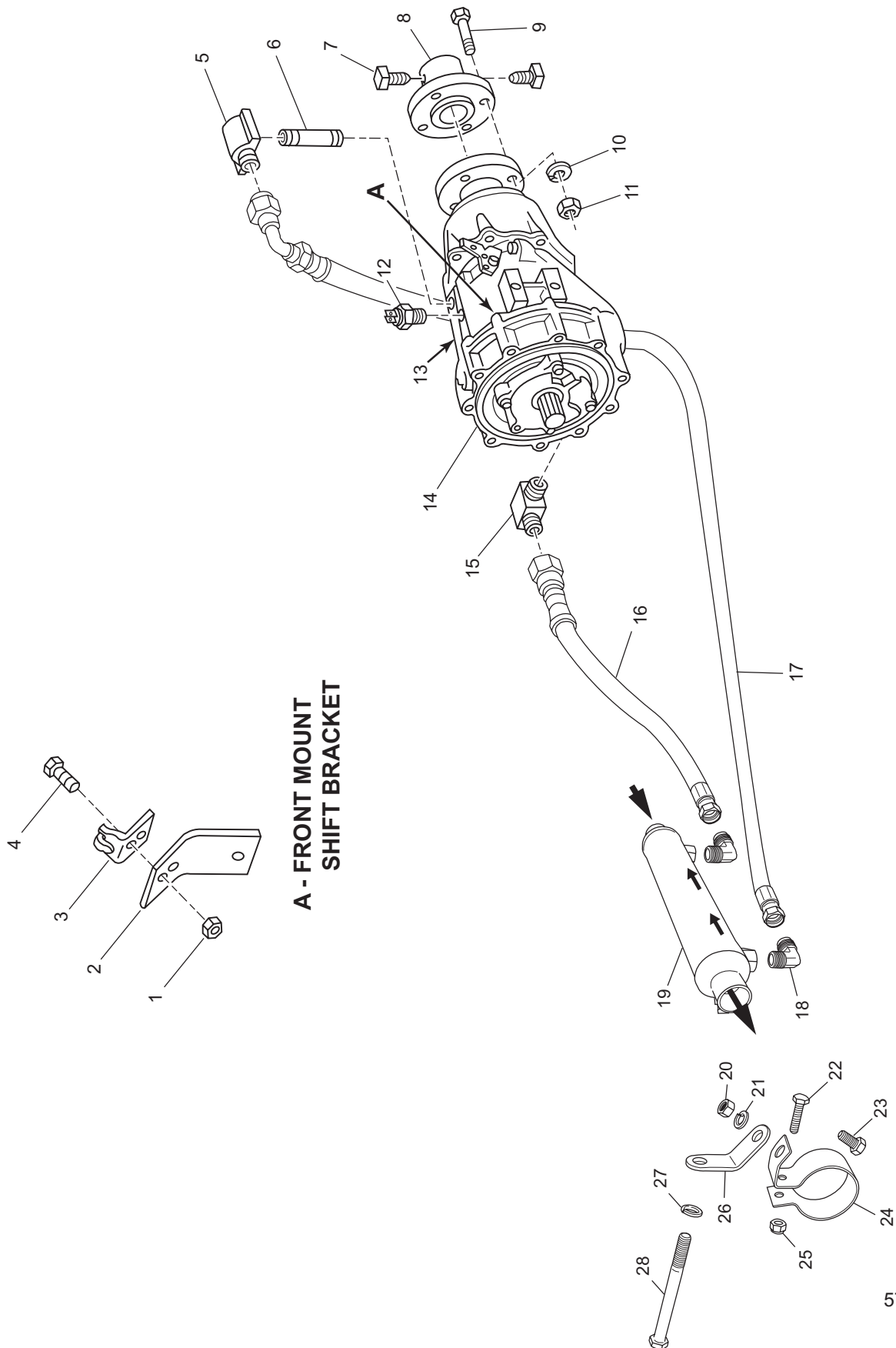


PC81018

BELL HOUSING ASSEMBLY - FIGURE 19

ITEM	PART NO.	QTY.	DESCRIPTION	MODEL ID
1	R140019	1	Drive Damper Assembly , (Hurth - LH Only)	
1	98511	1	Drive Damper Assembly , (71C/72C - All RH rotation)	
2	R009092	6	Bolt , damper to flywheel (1")	
3	RS2180	6	Lockwasher , damper bolt	
4	R142014	1	Bellhousing , flywheel	
5	R019008	1	Cover , bellhousing (use w/top mount starter)	
5	R019008A	1	Cover , bellhousing (use w/bottom mount starter)	
NI	R019010	1	Cover , top mount starter (used w/R019008A)	
NI	RS0327	2	Bolt , dust cover attaching	
NI	RS2181	2	Lockwasher , dust cover attaching	
6	RS0256	5	Bolt , cover to bellhousing (1")	
6	90105125	1	Bolt , cover to bellhousing (1 1/4")	
7	RS1078	6	Nut , cover bolt	
8	RS0305	2	Bolt , bellhousing to block	
8	99443030	1	Bolt , SHCS (behind starter)	
9	RS2180	2	Lockwasher , bellhousing bolt	
10	R031033	2	Stud , bellhousing mounting	
11	RS2180	4	Lockwasher , mounting stud	
12	RS1028	4	Nut , mounting stud	
13	R031033	2	Stud , starter mounting (1 5/8")	
14	RS2181	2	Lockwasher , starter mounting stud	
15	RS1029	2	Nut , starter mounting stud	
			Velvet Drive Reduction & "V"-Drive	
16	96541	2	Stud , transmission mounting (4")	
17	RS2181	6	Lockwasher , transmission mounting	
18	RS1029	2	Nut , transmission mounting stud	
19	RS0337	4	Bolt , transmission mounting	
			Velvet Drive 5000 & Hurth Gears	
20	R031018	2	Stud , transmission mounting (1 5/8")	
21	RS2180	6	Lockwasher , transmission mounting	
22	RS1029	2	Nut , transmission mounting stud	
23	RS0329	4	Bolt , transmission mounting	

TRANSMISSION AND RELATED COMPONENTS (VELVET DRIVE IN-LINE) - FIGURE 20

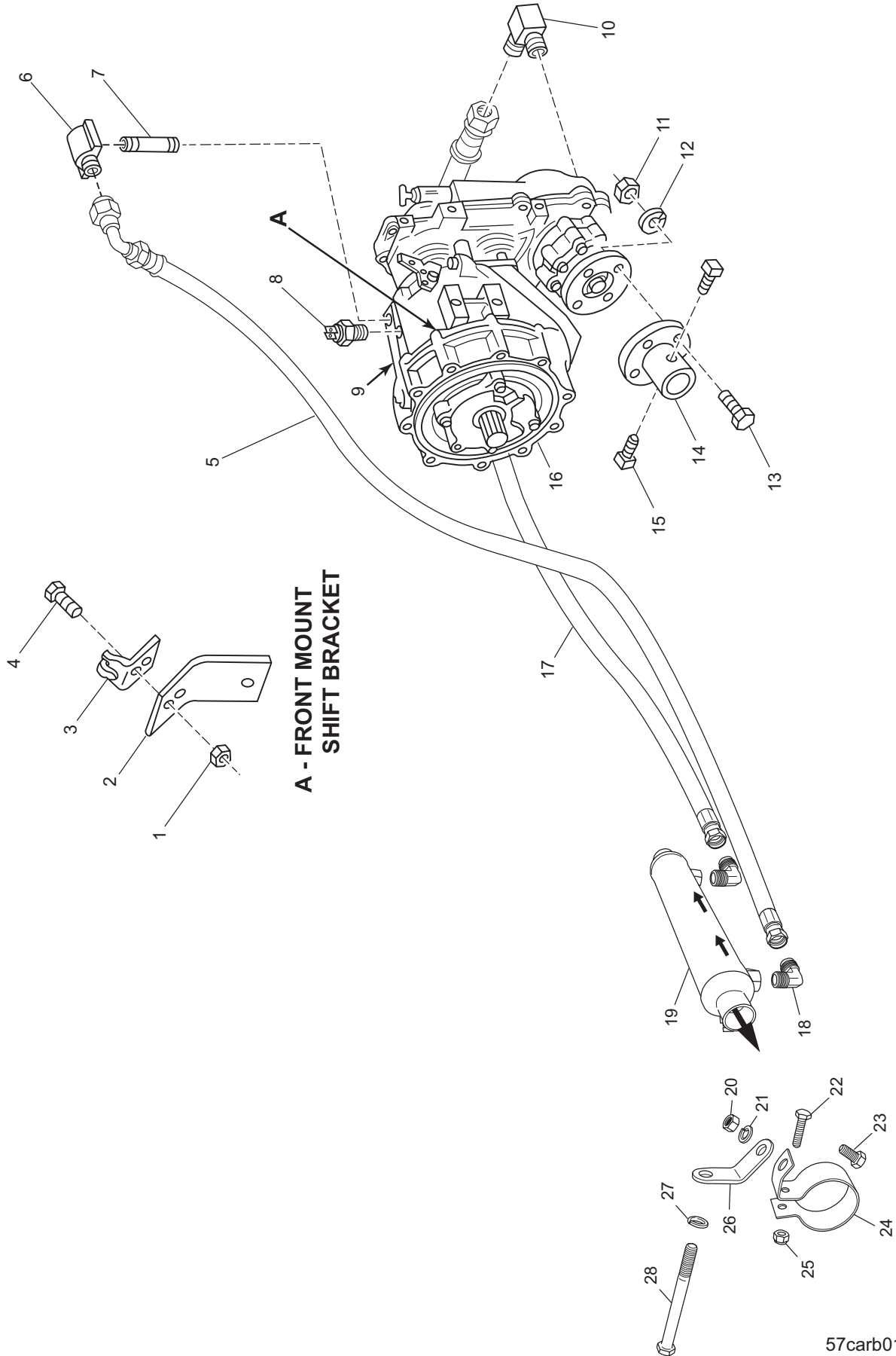


57carb016_04

TRANSMISSION AND RELATED COMPONENTS (VELVET DRIVE IN-LINE) - FIGURE 20

ITEM	PART NO.	QTY.	DESCRIPTION	MODEL ID
1	RS2055	2	Nut , attaching bolt	
2	96341	1	Shift Bracket (front mount)	
3	R090086	1	Cable Clip , single cable	
N.I.	22232	OPT	Cable Clip , dual cable clip (not shown)	
4	RS5122	2	Bolt , clip attaching (1/2")	
5	R024008	1	Elbow , hose - transmission (90 degree)	
6	RS4674	1	Nipple , pipe (3")	
7	2000090	2	Screw , set - coupler	
8	R148001	OPT	Coupler , prop shaft (1" shaft)	
8	R148002	OPT	Coupler , prop shaft (1 1/8" shaft)	
8	R148003	OPT	Coupler , prop shaft (1 1/4" shaft)	
8	R148004	OPT	Coupler , prop shaft (1 3/8" shaft)	
8	R148005	OPT	Coupler , prop shaft (1 1/2" shaft)	
8	R148007	OPT	Coupler , prop shaft (1 3/4" shaft)	
8	R148008	OPT	Coupler , prop shaft (2" shaft)	
9	22136	4	Bolt , coupling (1 1/2")	
10	RS2181	4	Lockwasher , coupling bolt	
11	RS1529	4	Nut , coupling bolt	
12	R020037	1	Sender , temperature alarm	
13	R153002	1	Switch Kit , neutral start (not shown)	
13A	25542	1	Switch & O-Ring Assembly (not shown)	
14	RA157003	1	Transmission (1:1 Direct Drive)	
14	RA157004	1	Transmission (1.52:1 Reduction)	
14	RA157004A	1	Transmission (1.88:1 Reduction)	
14	RA157004D	1	Transmission (2.57:1 Reduction)	
14	RA157004E	1	Transmission (2.91:1 Reduction)	
15	R024010	1	Elbow , hose - transmission (90 degree)	
16	18200	1	Hose Assembly , cooler to transmission	
17	18201	1	Hose Assembly , transmission to cooler	
18	R024010	2	Fitting , 90 degree	
19	R147006	1	Cooler Assembly , transmission oil	
20	RS1028	1	Nut , cooler bracket attaching	
21	RS2180	1	Lockwasher , cooler bracket attaching	
22	RS0256	1	Bolt , cooler bracket attaching	
23	RS0302	1	Bolt , cooler bracket attaching	
24	R090010	1	Bracket , transmission cooler mounting	
25	RS2058	1	Nut , cooler bracket attaching	
26	R090304	1	Bracket , transmission cooler attaching	
27	RS2180	1	Lockwasher , cooler bracket mounting	
28	RS0316	1	Bolt , cooler bracket mounting (exhaust manifold bolt)	

TRANSMISSION AND RELATED COMPONENTS (VELVET DRIVE "V"-DRIVE) - FIGURE 21



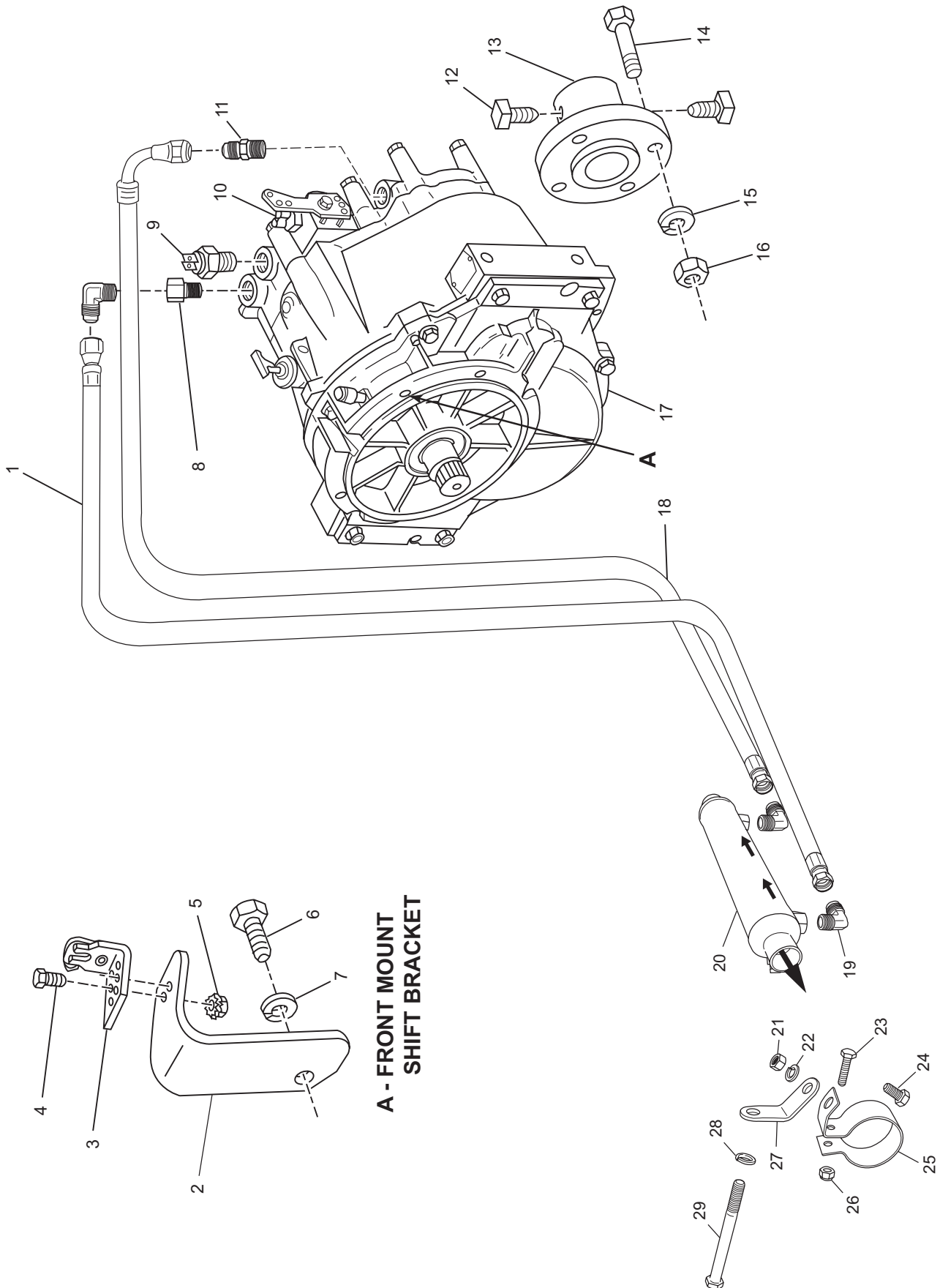
**A - FRONT MOUNT
SHIFT BRACKET**

57carb017_04

TRANSMISSION AND RELATED COMPONENTS (VELVET DRIVE "V"-DRIVE) - FIGURE 21

ITEM	PART NO.	QTY.	DESCRIPTION	MODEL ID
1	RS2055	2	Nut , attaching bolt	
2	96341	1	Shift Bracket (front mount)	
3	R090086	1	Cable Clip , single cable	
3	22232	OPT	Cable Clip , dual cable clip (not shown)	
4	RS5122	2	Bolt , clip attaching (1/2")	
5	18201	1	Hose Assembly , transmission to cooler	
6	R024008	1	Elbow , hose - transmission (90 degree)	
7	RS4674	1	Nipple , pipe (3")	
8	R020037	1	Sender , temperature alarm	
9	R153002	1	Switch Kit , neutral start (not shown)	
N.I.	25542	1	Switch & O-Ring Assembly (not shown)	
10	R024010	1	Elbow , hose - transmission (90 degree)	
11	RS1529	4	Nut , coupling bolt	
12	RS2181	4	Lockwasher , coupling bolt	
13	22136	4	Bolt , coupling (1 1/2")	
14	R148001	OPT	Coupler , prop shaft (1" shaft)	
14	R148002	OPT	Coupler , prop shaft (1 1/8" shaft)	
14	R148003	OPT	Coupler , prop shaft (1 1/4" shaft)	
14	R148004	OPT	Coupler , prop shaft (1 3/8" shaft)	
14	R148005	OPT	Coupler , prop shaft (1 1/2" shaft)	
14	R148007	OPT	Coupler , prop shaft (1 3/4" shaft)	
14	R148008	OPT	Coupler , prop shaft (2" shaft)	
15	2000090	2	Screw , set - coupler	
16	RA156002B	1	Transmission (1.51:1 Reduction)	
16	RA156002D	1	Transmission (1.99:1 Reduction)	
16	RA156002E	1	Transmission (2.49:1 Reduction)	
17	18201	1	Hose Assembly , cooler to transmission	
18	R024010	2	Fitting , 90 degree	
19	R147006	1	Cooler Assembly , transmission oil	
20	RS1028	1	Nut , cooler bracket attaching	
21	RS2180	1	Lockwasher , cooler bracket attaching	
22	RS0256	1	Bolt , cooler bracket attaching	
23	RS0302	1	Bolt , cooler bracket attaching	
24	R090010	1	Bracket , transmission cooler mounting	
25	RS2058	1	Nut , cooler bracket attaching	
26	R090304	1	Bracket , transmission cooler attaching	
27	RS2180	1	Lockwasher , cooler bracket mounting	
28	RS0316	1	Bolt , cooler bracket mounting (exhaust manifold bolt)	

TRANSMISSION AND RELATED COMPONENTS (VELVET DRIVE 5000) - FIGURE 22



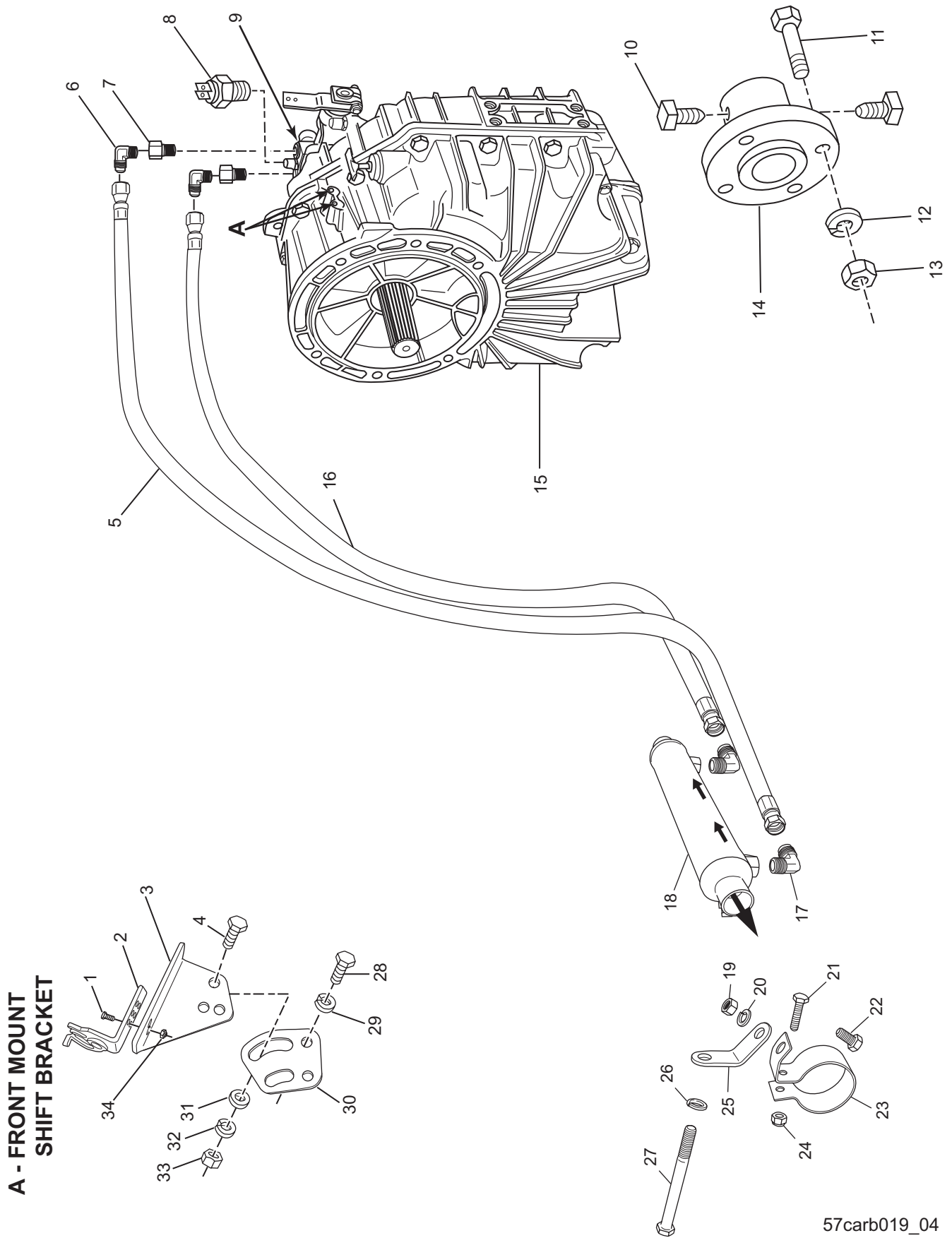
**A - FRONT MOUNT
SHIFT BRACKET**

57carb018_04

TRANSMISSION AND RELATED COMPONENTS (VELVET DRIVE 5000) - FIGURE 22

ITEM	PART NO.	QTY.	DESCRIPTION	MODEL ID
1	18201	1	Hose Assembly , transmission to cooler	
2	98227	1	Shift Bracket , (front entry)	
3	R090086	1	Cable Clip , single cable	
3	22232	OPT	Cable Clip , dual cable clip (not shown)	
4	RS5122	2	Bolt , clip attaching (1/2")	
5	RS2055	2	Nut , attaching bolt	
6	RS0329	2	Bolt , shift bracket attaching	
7	RS2180	2	Washer , shift bracket attaching bolt	
8	R024196	1	Fitting , adapter	
9	R020037	1	Sender , temperature alarm	
10	25542	1	Switch & O-Ring Assembly (not shown)	
11	30603	1	Fitting , adapter	
12	2000090	2	Screw , set - coupler	
13	R148001	OPT	Coupler , prop shaft (1" shaft)	
13	R148002	OPT	Coupler , prop shaft (1 1/8" shaft)	
13	R148003	OPT	Coupler , prop shaft (1 1/4" shaft)	
13	R148004	OPT	Coupler , prop shaft (1 3/8" shaft)	
13	R148005	OPT	Coupler , prop shaft (1 1/2" shaft)	
13	R148007	OPT	Coupler , prop shaft (1 3/4" shaft)	
13	R148008	OPT	Coupler , prop shaft (2" shaft)	
14	22136	4	Bolt , coupling (1 1/2")	
15	RS2181	4	Lockwasher , coupling bolt	
16	RS1529	4	Nut , coupling bolt	
17	RA157020B	1	Transmission (1.50:1 Reduction) Down Angle	
17	RA157020C	1	Transmission (2:1 Reduction) Down Angle	
17	RA157020D	1	Transmission (2.45:1 Reduction) Down Angle	
17	RA157020E	1	Transmission (2.80:1 Reduction) Down Angle	
17	RA156008	1	Transmission (1.25:1 Reduction) V-Drive	
17	RA156008A	1	Transmission (1.50:1 Reduction) V-Drive	
17	RA156008B	1	Transmission (2:1 Reduction) V-Drive	
17	RA156008C	1	Transmission (2.50:1 Reduction) V-Drive	
18	18200	1	Hose Assembly , cooler to transmission	
19	R024010	2	Fitting , 90 degree	
20	R147006	1	Cooler Assembly , transmission oil	
21	RS1028	1	Nut , cooler bracket attaching	
22	RS2180	1	Lockwasher , cooler bracket attaching	
23	RS0256	1	Bolt , cooler bracket attaching	
24	RS0302	1	Bolt , cooler bracket attaching	
25	R090010	1	Bracket , transmission cooler mounting	
26	RS2058	1	Nut , cooler bracket attaching	
27	R090304	1	Bracket , transmission cooler attaching	
28	RS2180	1	Lockwasher , cooler bracket mounting	
29	RS0316	1	Bolt , cooler bracket mounting (exhaust manifold bolt)	

TRANSMISSION AND RELATED COMPONENTS (HURTH GEAR) - FIGURE 23

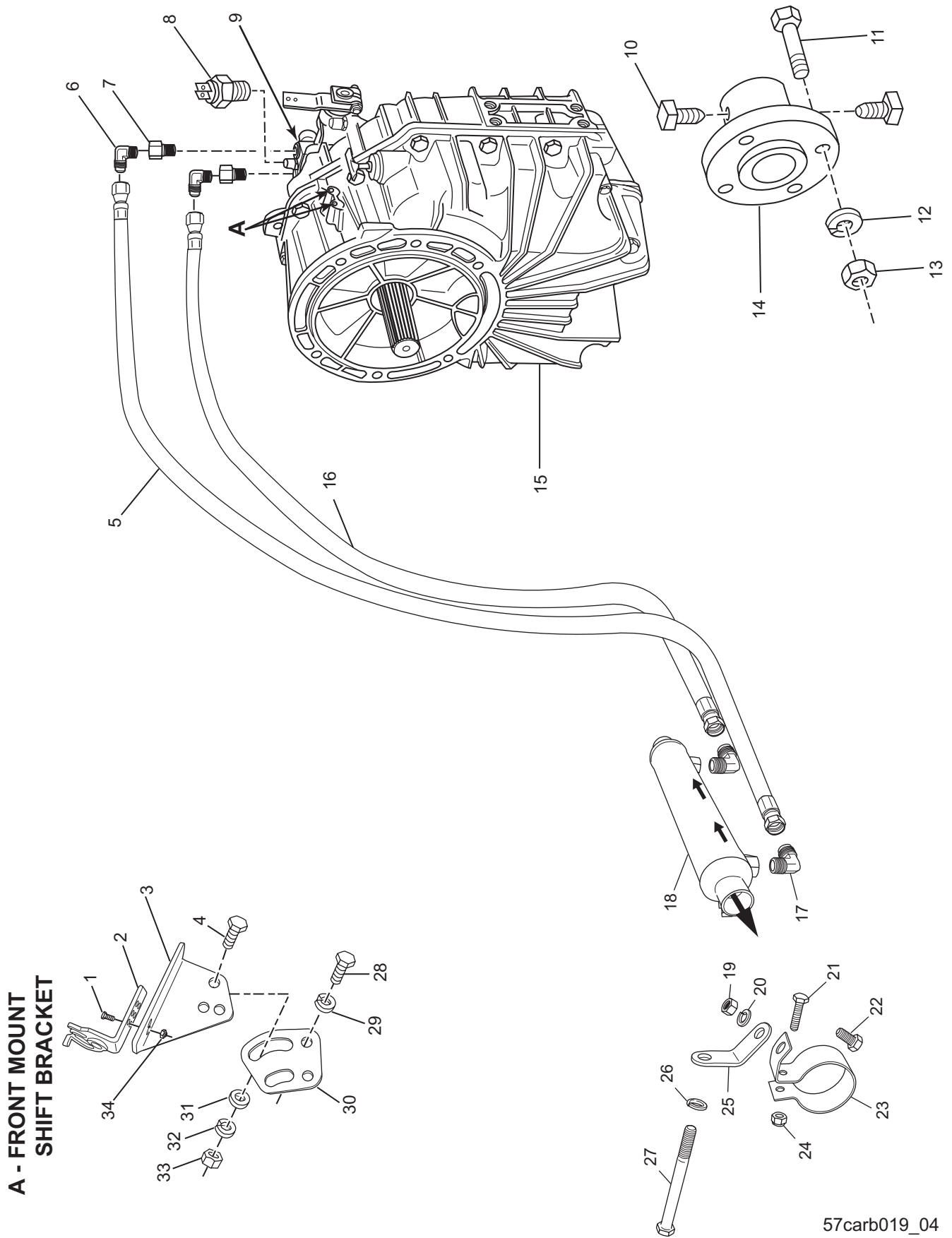


57carb019_04

TRANSMISSION AND RELATED COMPONENTS (HURTH GEAR) - FIGURE 23

ITEM	PART NO.	QTY.	DESCRIPTION	MODEL ID
1	RS5122	2	Bolt , cable clip attaching	
2	R090086	1	Cable Clip , single cable	
2	22232	OPT	Cable Clip , dual cable clip (not shown)	
3	R090202	1	Shift Bracket , cable clip attaching	
4	RS0282	2	Bolt , shift bracket attaching	
5	RA045007N	1	Hose Assembly , transmission to cooler	
6	R024010	2	Fitting , 90 degree	
7	R024196	2	Fitting , adapter	
8	R020037	1	Sender , temperature alarm	
9	25542	1	Switch & O-Ring Assembly (not shown)	
10	2000090	2	Screw , set - coupler	
11	90418138	4	Bolt , coupling (1 3/8")	
12	RS2181	4	Lockwasher , coupling bolt	
13	RS1529	4	Nut , coupling bolt	
14	R148001	OPT	Coupler , prop shaft (1" shaft)	
14	R148002	OPT	Coupler , prop shaft (1 1/8" shaft)	
14	R148003	OPT	Coupler , prop shaft (1 1/4" shaft)	
14	R148004	OPT	Coupler , prop shaft (1 3/8" shaft)	
14	R148005	OPT	Coupler , prop shaft (1 1/2" shaft)	
14	R148007	OPT	Coupler , prop shaft (1 3/4" shaft)	
14	R148008	OPT	Coupler , prop shaft (2" shaft)	
15	RA157022	1	Transmission 630A (1.22:1 Reduction)	8° Down Angle
15	RA157022A	1	Transmission 630A (1.55:1 Reduction)	
15	RA157022B	1	Transmission 630A (2.00:1 Reduction)	
15	RA157022C	1	Transmission 630A (2.50:1 Reduction)	
15	RA157022D	1	Transmission 630A (2.70:1 Reduction)	
15	RA157023F	1	Transmission 800A (2.85:1 Reduction)	V-Drive
15	RA156009	1	Transmission 630V (1.29:1 Reduction)	
15	RA156009A	1	Transmission 630V (1.50:1 Reduction)	
15	RA156009B	1	Transmission 630V (2.00:1 Reduction)	
15	RA156009C	1	Transmission 630V (2.50:1 Reduction)	
16	RA045007T	1	Hose Assembly , cooler to transmission	
17	R024010	2	Fitting , 90 degree	
18	R147006	1	Cooler Assembly , transmission oil	
19	RS1028	1	Nut , cooler bracket attaching	
20	RS2180	1	Lockwasher , cooler bracket attaching	

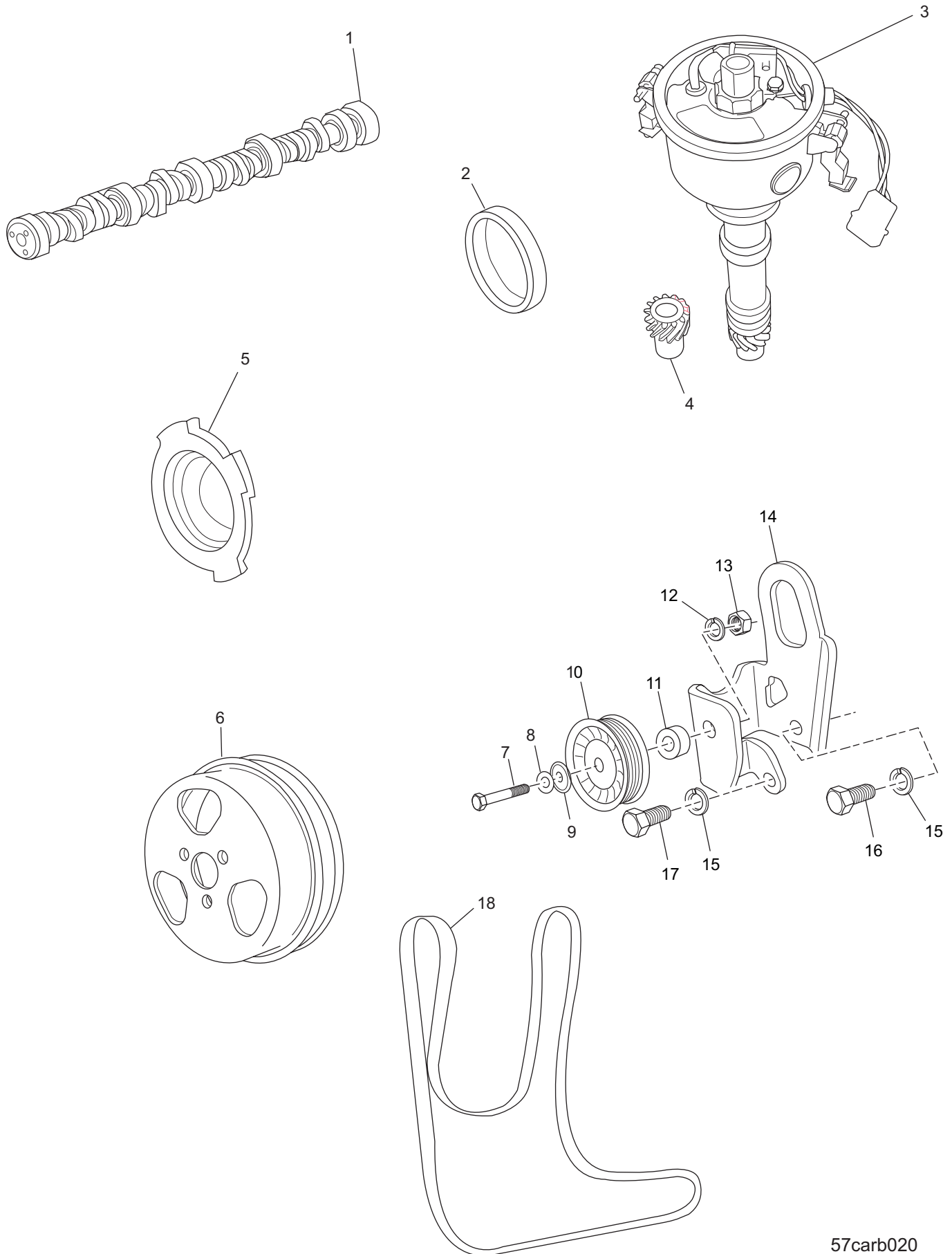
TRANSMISSION AND RELATED COMPONENTS (HURTH GEAR) - FIGURE 23 (cont'd)



TRANSMISSION AND RELATED COMPONENTS (HURTH GEAR) - FIGURE 23 (cont'd)

ITEM	PART NO.	QTY.	DESCRIPTION	MODEL ID
21	RS0256	1	Bolt , cooler bracket attaching	
22	RS0302	1	Bolt , cooler bracket attaching	
23	R090010	1	Bracket , transmission cooler mounting	
24	RS2058	1	Nut , cooler bracket attaching	
25	R090304	1	Bracket , transmission cooler attaching	
26	RS2180	1	Lockwasher , cooler bracket mounting	
27	RS0316	1	Bolt , cooler bracket mounting (exhaust manifold bolt)	
28	RS6531	2	Bolt , shift bracket attaching	
29	93930000	2	Lockwasher , shift bracket attaching bolt	
30	R090235	1	Bracket , shift	
31	RS2674	2	Washer , shift bracket attaching bolt	
32	RS2179	2	Lockwasher , attaching bolt	
33	RS1027	2	Nut , shift bracket attaching bolt	
34	RS2055	2	Nut , cable clip attaching bolt	
NI	RP077011	AR	Kit , transmission oil filter (ZF)	

RIGHT HAND ROTATION ENGINE COMPONENTS - FIGURE 24



57carb020

RIGHT HAND ROTATION ENGINE COMPONENTS - FIGURE 24

ITEM	PART NO.	QTY.	DESCRIPTION	MODEL ID
*	RB001005A	1	Base Engine Assembly (RH)	
1	RA050022	1	Camshaft, engine (RH)	
2	R047175	1	Seal, crankshaft rear oil (RH)	
3	RA107042	1	Distributor Assembly (RH)	
4	TBD	1	Gear, right hand (Dist. # RA107042)	
5	R065052A	1	Pulley, raw water pump (RH),	
6	R056001A	1	Ring, Crankshaft Position Sensor Reluctor (RH)	
7	98443050	1	Bolt, Idler Pulley attaching	
8	92940000	1	Flat Washer, Idler Pulley attaching	
9	R096145	1	Flat Washer, Idler Pulley attaching	
10	R065054	1	Pulley, Idler	
11	R062083	1	Spacer, Idler Pulley	
12	93940000	1	Lock Washer, Idler Pulley attaching	
13	L00908	1	Nut, Idler Pulley attaching	
14	R090307	1	Bracket, Idler pulley 5.7 (RH)	
15	RS2180	2	Lock Washer, Idler bracket attaching	
16	RS0304	1	Bolt, Idler bracket attaching, upper	
17	RS0306	1	Bolt, Idler bracket attaching, lower	
18	R066029A	1	Belt, serpentine drive, 5.7L (RH)	